



2-Way N-Type Power Divider 1-4GHz 30W

Power Dividers Technical Data Sheet

PE20DV2106

Features

- Ultra Wide Band Operation
- 30 watt CW Rating
- 1 to 4 GHz
- SMA Female Connector
- Meets Standards for Humidity, Shock, Vibration, Altitude

Applications

- Communications Systems
- Amplifier Systems
- Amplifier Power Dividing
- Aerospace/Aviation
- Defense Applications

Description

PE20DV2106 is a passive 2 way RF Power Divider with 50 ohm N-Type female connectors operating from 1 to 4 GHz, with a max input power of 30 watts. The PE20DV2106 has min 20 dB Isolation, 0.6 dB Maximum Insertion loss and a Max VSWR of 1.35:1; along with a phase balance of ± 3 degrees and an amplitude balance of ± 0.3 dB. The RF Divider operates in a temperature range from -45°C to 85°C and is rated for Humidity, Shock, Vibration, and Altitude. Power dividers have many applications and so perform many valuable functions within the RF/Microwave world. Examples are antenna beam forming, taps for cable distributed systems combining feeds to and from antennae.

Electrical Specifications

Design	Standard
Number of Output Ports	2

Description	Minimum	Typical	Maximum	Units
Frequency Range	1		4	GHz
Impedance		50		Ohms
Input VSWR		1.2:1	1.35:1	
Output VSWR		1.15:1	1.3:1	
Insertion Loss		0.25	0.6	dB
Isolation	20	23		dB
Amplitude Balance		0.1	0.3	dB
Phase Balance		1.5	3	Degrees
Input Power (CW)			30	Watts
Reverse Power (CW)			2	Watts
Input Power (Peak)			300	Watts

Click the following link (or enter part number in "SEARCH" on website) to obtain additional part information including price, inventory and certifications: [2-Way N-Type Power Divider 1-4GHz 30W PE20DV2106](#)



2-Way N-Type Power Divider 1-4GHz 30W

Power Dividers Technical Data Sheet

PE20DV2106

Mechanical Specifications

Size

Length	1.34 in [34.04 mm]
Width	1.69 in [42.93 mm]
Height	0.79 in [20.07 mm]
Weight	0.28 lbs [127.01 g]

Finish

Housing Material and Plating Aluminum

Configuration

Input Connector N Female

Environmental Specifications

Temperature

Operating Range	-40 to +85 deg C
Storage Range	-50 to +105 deg C

Humidity

100% RH at 35°C, 95%RH at 40°C

Shock

20G for 11msec half sine wave, 3 axis both directions

Vibration

25gRMS (15 degrees 2KHz) endurance, 1 hour per axis

Altitude

30,000ft. Epoxy Sealed, 60,000ft. 1psi min Hermetically Sealed

Compliance Certifications (see [product page](#) for current document)

Plotted and Other Data

Notes:

2-Way N-Type Power Divider 1-4GHz 30W from Pasternack Enterprises has same day shipment for domestic and International orders. Our RF, microwave and millimeter wave products maintain a 99.4% availability and are part of the broadest selection in the industry.

Click the following link (or enter part number in "SEARCH" on website) to obtain additional part information including price, inventory and certifications: [2-Way N-Type Power Divider 1-4GHz 30W PE20DV2106](#)

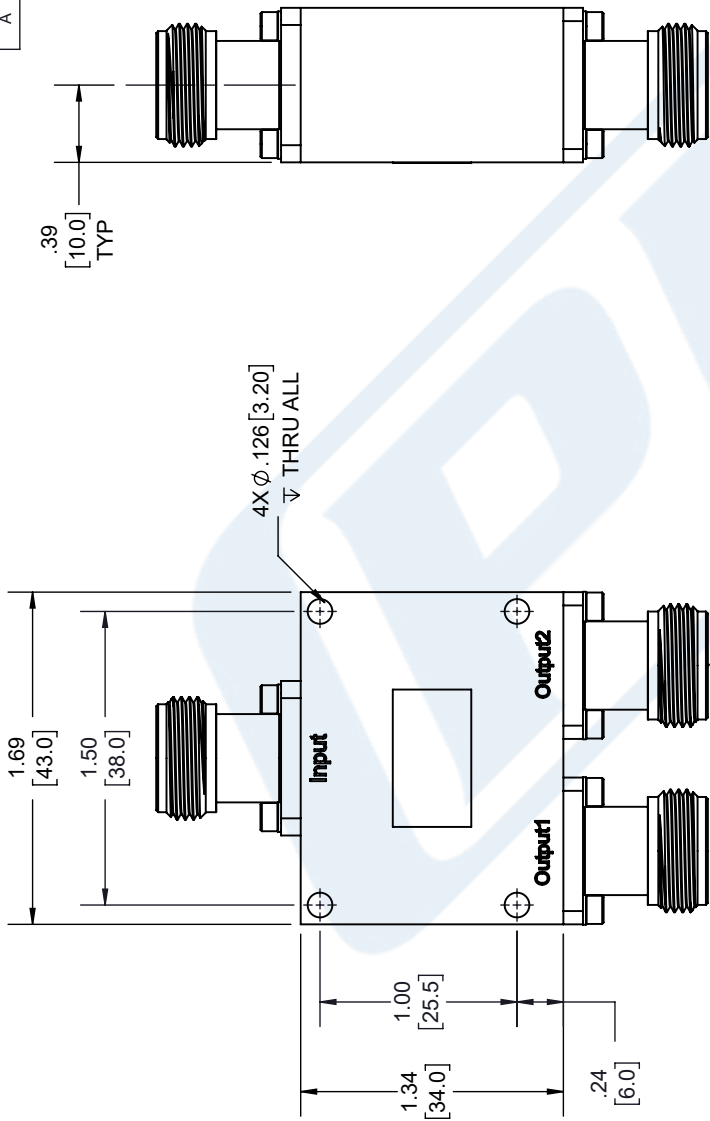
URL: <https://www.pasternack.com/4-way-n-power-divider-4-ghz-pe20dv2106-p.aspx>

The information contained in this document is accurate to the best of our knowledge and representative of the part described herein. It may be necessary to make modifications to the part and/or the documentation of the part, in order to implement improvements. Pasternack reserves the right to make such changes as required. Unless otherwise stated, all specifications are nominal. Pasternack does not make any representation or warranty regarding the suitability of the part described herein for any particular purpose, and Pasternack does not assume any liability arising out of the use of any part or documentation.

PE20DV2106 CAD Drawing

2-Way N-Type Power Divider 1-4GHz 30W

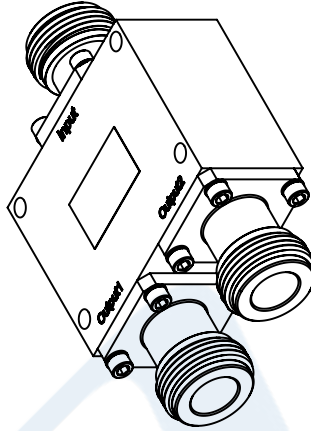
REVISIONS			
REV.	DESCRIPTION	DATE	APPROVED
A	INITIAL RELEASE	9/1/2021	S. PONG



.39
[10.0]
TYP

4X ϕ .126 [3.20]
THRU ALL

3X
N FEMALE



UNLESS OTHERWISE SPECIFIED
LEADING DIMENSIONS ARE INCHES
DIMENSIONS IN [] ARE MILLIMETERS

TOLERANCES:
 .X = ±.2 [5.08] FRACTIONS ± 1/32
 .XX = ±.02 [.51] ANGLES ± 1°
 .XXX = ±.005 [.13]
 CABLE LENGTH (L), TOLERANCES:
 L ≤ 12 [305] = +1 [25] / -0
 12 [305] < L ≤ 60 [1524] = +2 [51] / -0
 60 [1524] < L ≤ 120 [3048] = +4 [102] / -0
 120 [3048] < L ≤ 300 [7620] = +6 [152] / -0
 300 [7620] < L = +5% / -0

ALL DIMENSIONS SHOWN
ARE FOR REFERENCE ONLY.



THE INFORMATION AND
DESIGN IN THIS DOCUMENT
IS THE PROPERTY OF
PASTERNAK CORPORATION
ALL RIGHTS RESERVED.

SHEET 1 OF 1

SCALE N/A

REV A



Pasternack Enterprises, Inc.
 P.O. Box 16759, Irvine, CA 92623.
 Phone: 1.949.261.1920 | 1.866.727.8376
 Fax: 1.949.261.7451
 Website: www.pasternack.com
 E-mail: sales@pasternack.com

ITEM NO. PE20DV2106
 DRAWN BY K.DANG
 CAGE CODE 53919

LABEL
 DV2106
 YYWW

THESE COMMODITIES, TECHNOLOGY OR SOFTWARE WERE EXPORTED FROM THE UNITED STATES IN ACCORDANCE WITH THE EXPORT ADMINISTRATION REGULATIONS. DIVERSION CONTRARY TO U.S. LAW PROHIBITED.