



BNC Male Connector Clamp Attachment for RG58, RG142

RF Connectors Technical Data Sheet

M39012/16-0101

Configuration

- BNC Male Connector
- 50 Ohms
- Straight Body Geometry
- Connector Interface Types: RG58, RG142

Features

- Max. Operating Frequency 4 GHz
- Excellent VSWR of 1.25:1
- Gold Plated Beryllium Copper Contact
- QPL Part

Applications

- General Purpose Test
- Custom Cable Assemblies

Description

Pasternack's M39012/16-0101 BNC male connector is part of our full line of RF components available for same-day shipping. Our BNC male connector operates up to a maximum frequency of 4 GHz and offers excellent VSWR of 1.25:1.

Our BNC male connector M39012/16-0101 datasheet specifications and drawing with dimensions are shown below in this PDF. Pasternack's broad catalog of RF, microwave and millimeter wave connectors allows designers to configure and customize their signal connections however they like. Whether the need is to provide an I/O for a board design, or simply create a custom cable assembly configuration, Pasternack has the right connector for the job. Pasternack can also expertly build your custom cable assemblies for you and ship same-day.

Electrical Specifications

| Description | Minimum | Typical | Maximum | Units |
|--------------------------------------|---------|---------|---------|-------|
| Frequency Range | DC | | 4 | GHz |
| VSWR | | | 1.25:1 | |
| Impedance | | 50 | | Ohms |
| Dielectric Withstanding Voltage (AC) | | | 1,500 | Vrms |

Mechanical Specifications

Size

| | |
|--------|--------------------|
| Length | 1.06 in [27.00 mm] |
| Width | 0.56 in [14.27 mm] |
| Height | 0.56 in [14.27 mm] |
| Weight | 0.04 lbs [18.60 g] |

Click the following link (or enter part number in "SEARCH" on website) to obtain additional part information including price, inventory and certifications: [BNC Male Connector Clamp Attachment for RG58, RG142 M39012/16-0101](#)



BNC Male Connector Clamp Attachment for RG58, RG142

RF Connectors
Technical Data Sheet

M39012/16-0101

Material Specifications

| Description | Material | Plating |
|-----------------|------------------|---------|
| Contact | Beryllium Copper | Gold |
| Insulation | PTFE | |
| Outer Conductor | Brass | Silver |
| Body | Brass | Silver |

Environmental Specifications

Compliance Certifications (see [product page](#) for current document)

Plotted and Other Data

Notes:

Click the following link (or enter part number in "SEARCH" on website) to obtain additional part information including price, inventory and certifications: [BNC Male Connector Clamp Attachment for RG58, RG142 M39012/16-0101](#)

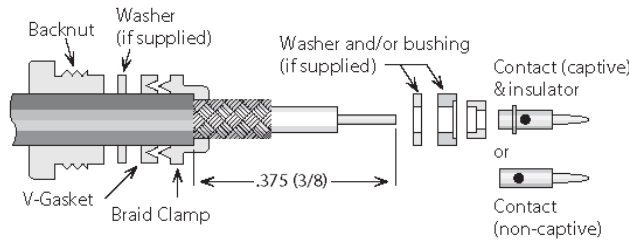


BNC Male Connector Clamp Attachment for RG58, RG142

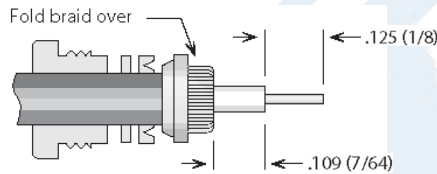
RF Connectors
Technical Data Sheet

M39012/16-0101

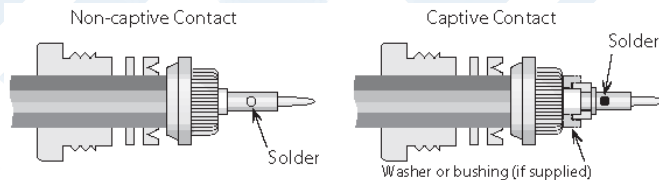
Assembly Instruction



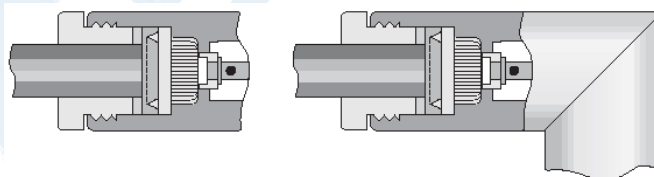
- 1) Trim cable jacket to dimension A. Slide backnut, washer, V-gasket, and braid clamp onto cable as shown. Cable jacket should bottom on step in braid clamp.



- 2) Comb braid wires out straight and fold back over front shoulder of braid clamp (braid wires should not overlap one another after folding). Trim braid wires flush with step of braid clamp. Trim cable dielectric and center conductor to dimensions B and C.



- 3) If support insulator is provided for RG-62 or 71 cable, insert into hollow in dielectric. Assemble rear bushing or washer (if supplied), rear insulator (if captive contact) and contact, and solder contact to center conductor. Rear of contact should be flush with cable dielectric end. For right angle connectors with access cap, omit this step entirely.



- 4) Insert prepared cable and hardware into body and tighten backnut. For right angle connectors with access cap, solder center conductor into slot in contact and tighten access cap.

Click the following link (or enter part number in "SEARCH" on website) to obtain additional part information including price, inventory and certifications: [BNC Male Connector Clamp Attachment for RG58, RG142 M39012/16-0101](#)



BNC Male Connector Clamp Attachment for RG58, RG142

RF Connectors Technical Data Sheet

M39012/16-0101

BNC Male Connector Clamp Attachment for RG58, RG142 from Pasternack Enterprises has same day shipment for domestic and International orders. Our RF, microwave and millimeter wave products maintain a 99.4% availability and are part of the broadest selection in the industry.

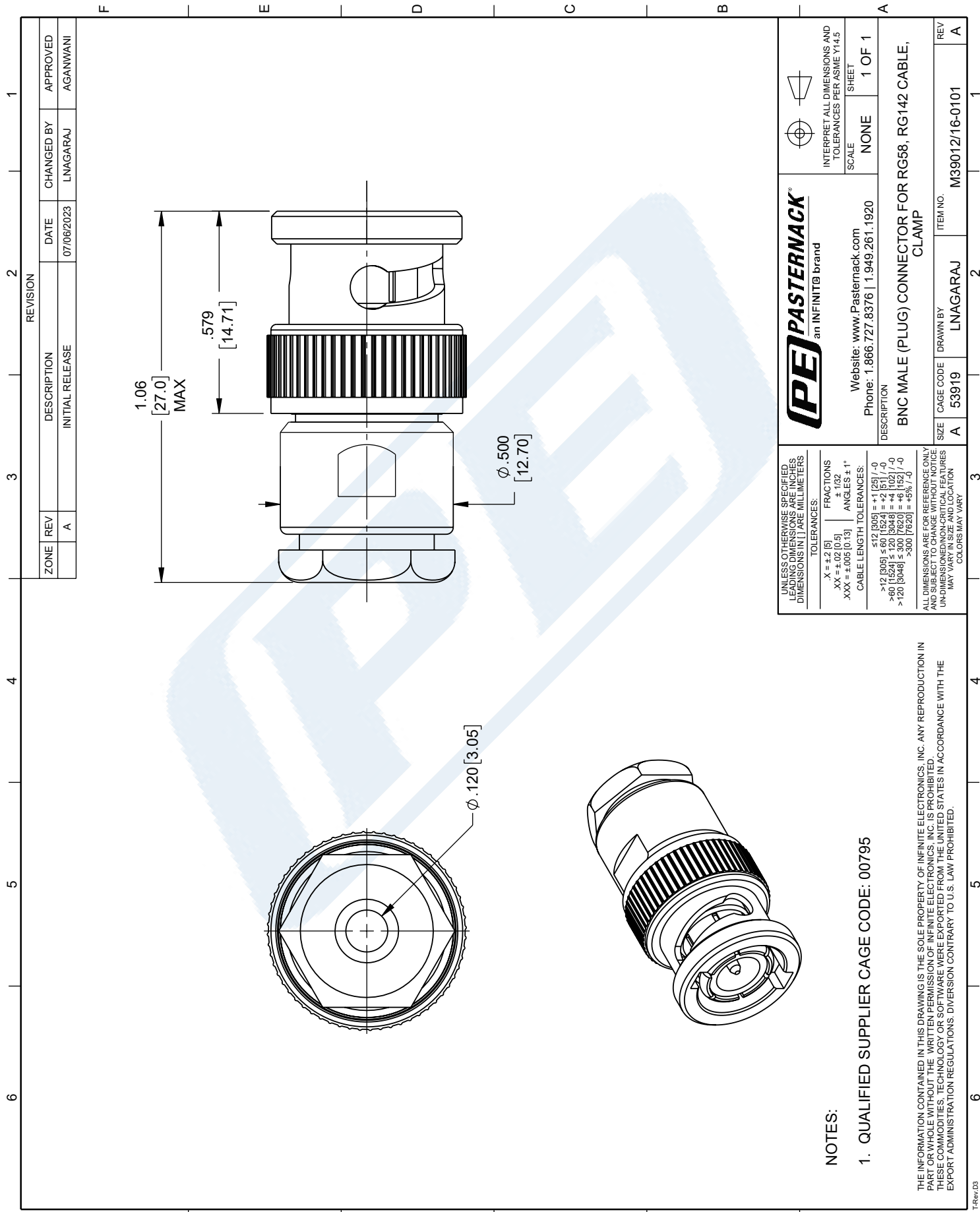
Click the following link (or enter part number in "SEARCH" on website) to obtain additional part information including price, inventory and certifications: [BNC Male Connector Clamp Attachment for RG58, RG142 M39012/16-0101](https://www.pasternack.com/bnc-male-rg58-rg142-connector-m39012-16-0101-p.aspx)

URL: <https://www.pasternack.com/bnc-male-rg58-rg142-connector-m39012-16-0101-p.aspx>

The information contained in this document is accurate to the best of our knowledge and representative of the part described herein. It may be necessary to make modifications to the part and/or the documentation of the part, in order to implement improvements. Pasternack reserves the right to make such changes as required. Unless otherwise stated, all specifications are nominal. Pasternack does not make any representation or warranty regarding the suitability of the part described herein for any particular purpose, and Pasternack does not assume any liability arising out of the use of any part or documentation.

M39012/16-0101 CAD Drawing

BNC Male Connector Clamp Attachment for RG58, RG142



| ZONE | | REVISION | | DATE | | APPROVED | |
|------|-------------|-----------------|------------|------------|----------|----------|--|
| REV | DESCRIPTION | INITIAL RELEASE | DATE | CHANGED BY | APPROVED | | |
| A | | | 07/06/2023 | LNAGARAJ | AGANWANI | | |

| | | | |
|---|-----------|---|----------------|
|  PASTERNAK an INFINIT® brand | | INTERPRET ALL DIMENSIONS AND TOLERANCES PER ASME Y14.5 SCALE NONE SHEET 1 OF 1 | |
| Website: www.Pasternack.com Phone: 1.866.727.8376 1.949.261.1920 | | DESCRIPTION BNC MALE (PLUG) CONNECTOR FOR RG58, RG142 CABLE, CLAMP | |
| SIZE | CAGE CODE | DRAWN BY | ITEM NO. |
| A | 53919 | LNAGARAJ | M39012/16-0101 |
| REV | | | |
| A | | | |

UNLESS OTHERWISE SPECIFIED, DIMENSIONS AND TOLERANCES ARE IN MILLIMETERS

TOLERANCES:

| | |
|---------------------|------------------|
| .X = ±.2 [5] | FRACTIONS ± 1/32 |
| .XX = ±.02 [0.5] | ANGLES ± 1° |
| .XXX = ±.005 [0.13] | |

CABLE LENGTH TOLERANCES:

| | |
|--------------------------|---------------|
| <12 [305] | ±.12 [3.05] |
| >12 [305] ≤ 60 [1524] | ±.25 [6.35] |
| >60 [1524] ≤ 120 [3048] | ±.50 [12.70] |
| >120 [3048] ≤ 300 [7620] | ±.75 [19.05] |
| >300 [7620] | ±1.00 [25.40] |

ALL DIMENSIONS ARE FOR REFERENCE ONLY AND SUBJECT TO CHANGE WITHOUT NOTICE UNLESS OTHERWISE SPECIFIED. DIMENSIONS AND LOCATION MAY VARY BY MANUFACTURING LOCATION. COLOURS MAY VARY.

- NOTES:
1. QUALIFIED SUPPLIER CAGE CODE: 00795

THE INFORMATION CONTAINED IN THIS DRAWING IS THE SOLE PROPERTY OF INFINITE ELECTRONICS, INC. ANY REPRODUCTION IN PART OR WHOLE WITHOUT THE WRITTEN PERMISSION OF INFINITE ELECTRONICS, INC. IS PROHIBITED. THESE COMMODITIES, TECHNOLOGY OR SOFTWARE WERE EXPORTED FROM THE UNITED STATES IN ACCORDANCE WITH THE EXPORT ADMINISTRATION REGULATIONS. DIVERSION CONTRARY TO U.S. LAW PROHIBITED.