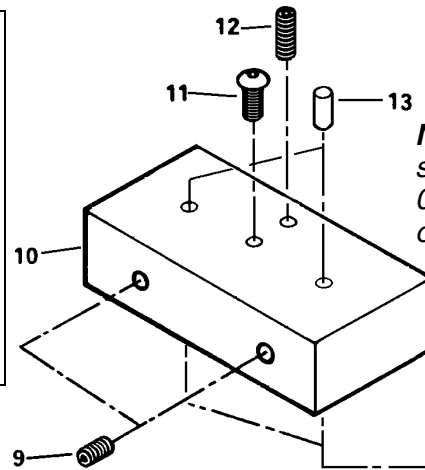


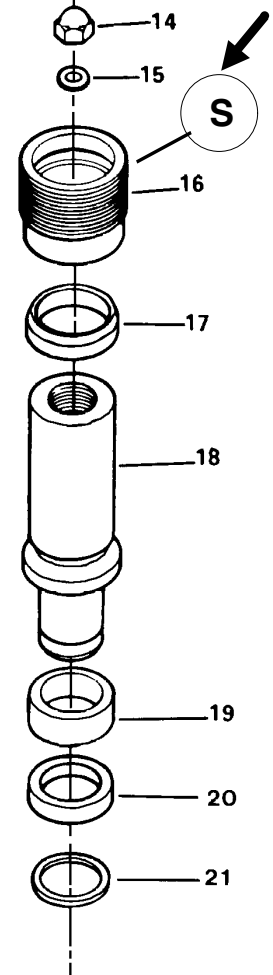
L-465
 REV A
 02-93
 PC5510

DATE CODE BEGINNING WITH THE LETTER "B".

S **CAUTION**
 Indicates staked threads. Stake mark must be removed **PRIOR TO** disassembly. Failure to do so may result in damage to parts. **RETAKE** AFTER test of repaired power vise.

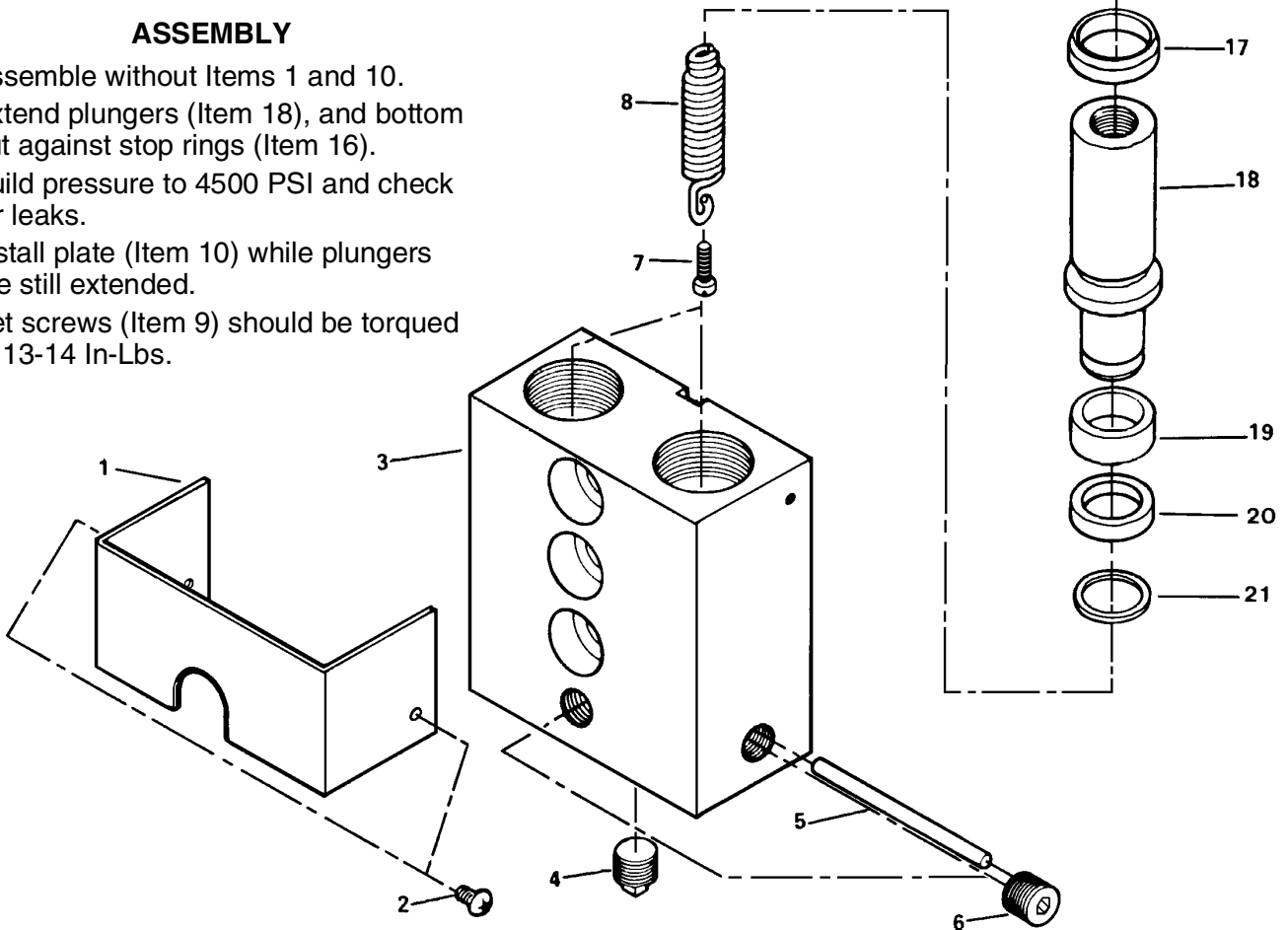


NOTE: Item 13 should project 0.250" from top of plate.



ASSEMBLY

- Assemble without Items 1 and 10.
- Extend plungers (Item 18), and bottom out against stop rings (Item 16).
- Build pressure to 4500 PSI and check for leaks.
- Install plate (Item 10) while plungers are still extended.
- Set screws (Item 9) should be torqued to 13-14 In-Lbs.



VR-4 REPAIR PARTS LIST

Item No.	Part Number	Quantity	Description
1	M937298	1	Shield
2	F348042	2	Screw
3	M936190	1	Body
4	A8001271	1	Thread Protector
5	M938268	1	Tubing
6	CN815006	2	Pipe Plug
7	DA2011028	2	Screw
8	M692110	2	Spring
9	M941028	2	Screw
10	M934101	1	Front Plate
11	M942028	1	Screw
12	M940028	1	Screw
13	M939061	2	Dowel
14	F747055	2	Nut
15	★ W22237	2	Gasket
16	F748044	2	Stop Ring
17	★ F540044	2	Wiper Ring
18	M681040	2	Plunger
19	G953107	2	Rod Bearing
20	★ CB765041	2	U-Cup
21	G957044	2	Retaining Ring

★ Items included in and available only as part of Repair Kit VR-4K.

Australia

Enerpac
Block V, Unit 3
Regents Park Estate
391 Park Road
Regents Park NSW 2143
Tel: (61) (2) 743-8988
Fax: (61) (2) 743-8648

Canada

Enerpac
13000 West Silver Spring Drive
Butler, Wisconsin 53007, USA
Tel: (800) 426-4129 User
Tel: (800) 426-2284 Distributor
Fax: (414) 781-1049

Eastern Europe and Other European Countries, Middle East and Africa

Enerpac
47, avenue Blanc
P.O. Box 67, CH-1211
Geneva 21, Switzerland
Tel: (41) 22-731 94 05
Telex: 22-41 2843
Fax: (41) 22-731 12 15

Far East

Enerpac
47 Jalan Pemimpin
#01-02 & 01-03
Sin Cheong Building
Singapore 2057
Thomson Road P.O. Box 114
Singapore 9157
Tel: (65) 2581677
Telex: RS24882 APOWR
Fax: (65) 2582847

France

Enerpac
B.P. 200
Parc d'Activités du Moulin
de Massy
91882 Massy Cedex, France
Tel: (33) 1-69 20 70 70
Telex: 600 951
Fax: (33) 1-69 20 37 50

Germany

Enerpac
Mündelheimer Weg 51
P.O. Box 300 113
D-4000 Düsseldorf 30
Tel: (49) (221) 41707-0
Telex: 8582790
Fax: (49) (211) 4170740

Italy

Enerpac
Via Canova, 4
20094 Corsico
Milano, Italy
Tel: 39-2-4582741
Telex: 352337
Fax: 39-2-48601288

Japan

Enerpac
10-17 Sasame
Kita-cho, Toda-Shi
Saitama 335,
Japan
Tel: 81-0484-22-2251
(Administration Dept.)
0484-21-2311 (Sales Dept.)
Telex: J26275
Fax: 82-0484-22-0596

Latin America and Caribbean

Enerpac
13000 West Silver Spring Drive
Butler, Wisconsin 53007
Tel: (414) 781-6600 ext. 263
Fax: (414) 781-5561

Mexico

Enerpac
Blvd. Gral. Felipe Angeles 1604
P.O. Box 362
Pachuca. Hidalgo 42080
Mexico
Tel: (52) 771 3-3700 or
Telex: 17 55 15
Fax: (52) 771 3-1196 or
(52) 771 8-3800

Netherlands, Belgium, Luxemburg

Enerpac
Storkstraat 25/P.O. Box 269
NL-3900 AG Veenendaal
Holland
Tel: (31) 8385 35911
Fax: (31) 8385 25613/26645

South Korea

Enerpac
163-12, Dodang-Dong,
Choong-Ku,
Buchun-Shi, Kyunggi-Do
Republic of Korea
Tel: (82) (32) 6560836/7
Fax: (82) (32) 6563002

Spain

Enerpac
Calle de La Imprenta, 5
Poligono Industrial
28100 Alcobendas, Madrid
Spain
Tel: (34) 1-6611125
Fax: (34) 1-6614789

United Kingdom

Enerpac
Leacon Road
Ashford, Kent
TN23 2TU
England
Tel: 4-4233-639871
Telex: 966 450
Fax: 4-4233-643923

United States

Enerpac
13000 West Silver Spring Drive
Butler, Wisconsin 53007, USA
Tel: (414) 781-6600
1-800-433-2766 (End User)
1-800-558-0530 (Distributor)
Fax: (414) 781-1049



All Enerpac products are guaranteed against defects in workmanship and materials for as long as you own them. Under this guarantee, free repair or replacement will be made to your satisfaction.

For prompt service, contact your Authorized Enerpac Service Center or call toll free:

**In U.S.A. 1-800-558-0530
In Canada 1-800-426-2284**

RECYCLED
PAPER

PRINTED IN U.S.A.

