

**NOTES:**

**Mechanical:**

- Housing material : High Temp. Polyester UL94V-0 , Color: Black
- Contact material: Phosphor Bronze t=0.35mm
- Contact plating: Contact area---Selective gold plating  
Tails---Tin plated all over 50u" Nickel
- Operating Life: 750 Cycles min.
- PCB Retention Post-solder: 10 LBS min.

**Electrical:**

- Voltage Rating: 125VAC.
- Current Rating: 1.5AMP.
- Contact Resistance: 35mΩ max.
- Insulation Resistance: 1000MΩ min. @ 500 VDC
- Dielectric Strength: 1000 VAC 60Hz, 1 min.

**Environmental:**

- Storage: -40°C To +85°C
- Operation: -40°C~+85°C
- IR Reflow Soldering Temp: 255°C~265°C(5~10S)

Packing: 130pcs/Tape reel, 1300pcs/Carton

Order code: A-2004-2-X-LP/SMT

Contact plating:

- Selective 15u" gold
- Selective 30u" gold
- Selective 50u" gold
- Selective 6u" gold

**RoHS compliant**  
Unit:mm

Scale	Free			Date	Name	Customer-No.				
<b>TOLERANCE</b>				Drawn	27.05.2013	Amy				
X.X	±0.20									
X.XX	±0.15	③	Update pin structure	11.04.2025	Segal	Approved	11.04.2025	Segal	ASSMANN WSW-No. A-2004-2-X-LP/SMT	
X.XXX	±0.10	②	Update package qty on page 2	06.04.2017	Amy					
DIM	TOL	①	Add tape reel packing on page 2	22.04.2014	Amy	<b>ASSMANN</b> WSW components A company of BCS		Drawing-No.	ASS 5696 CO	rev03
		④	Drawn	27.05.2013	Amy			Replace	SHEET	1 / 2
Angle	±5°	ld.	Modification	Date	Name					

1

2

3

4

5

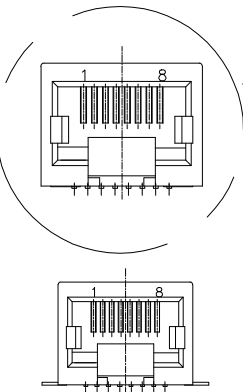
6

7

A

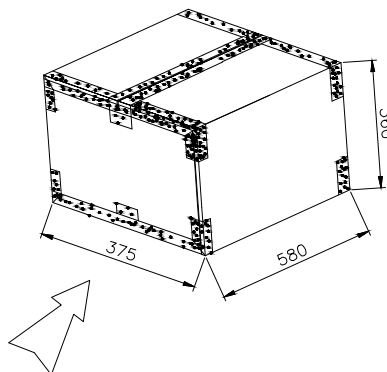
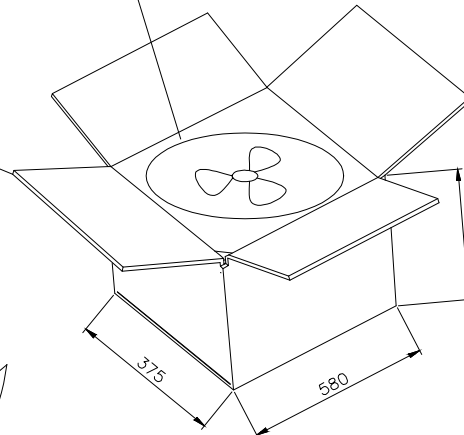
A

1.PRODUCT 1PCS



② 1.SIDE ENTRY SMT 8P8C JACK  
130 PCS/REEL  
1300PCS/CARTON

2.CARTON



B

B

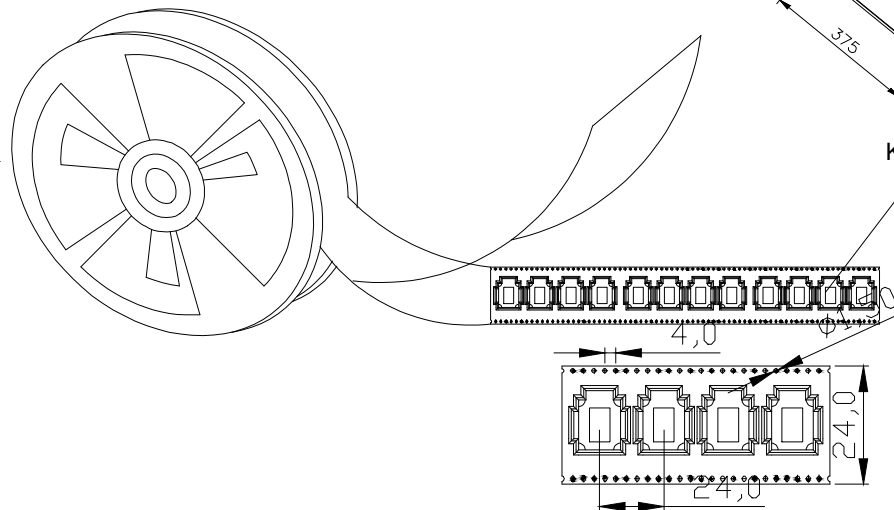
C

C

D

D

3.TAPE REEL



Keep each 5pcs blank on front and tail

E

E

F

F

**RoHS compliant**  
Unit:mm

Scale	Free					Date	Name	Customer-No.
TOLERANCE					Drawn	27.05.2013	Amy	
X.X	±0.20	③	Update pin structure	11.04.2025	Segal	Approved	11.04.2025	Segal
X.XX	±0.15	②	Update package qty on page 2	06.04.2017	Amy			ASSMANN WSW-No. A-2004-2-X-LP/SMT
X.XXX	±0.10	①	Add tape reel packing on page 2	22.04.2014	Amy			Drawing-No. <b>ASS 5696 CO</b>
DIM	TOL	①						rev03
		①						
Angle	±5°	ld.	Modification	Date	Name	 A company of 		SHEET 2 / 2

1

2

3

4

5

6

7

H

H