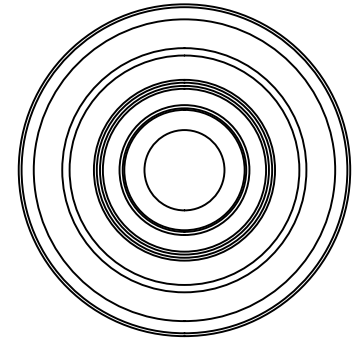
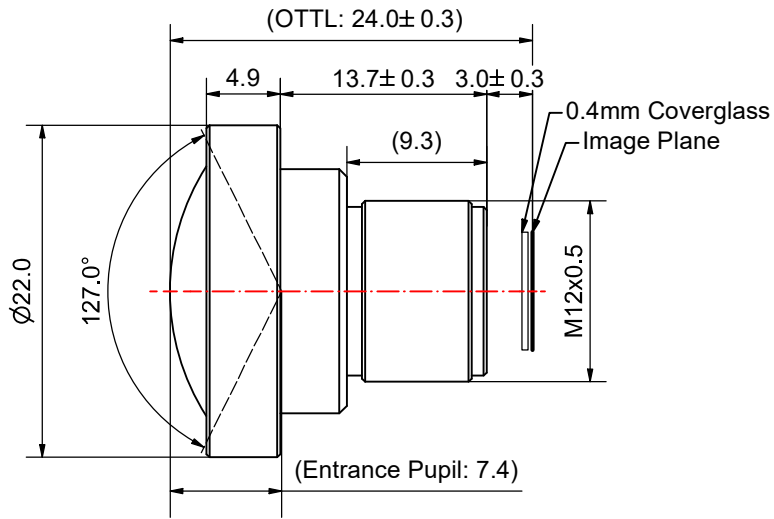
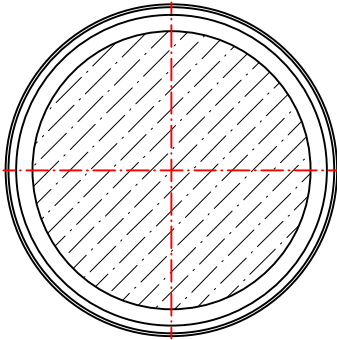
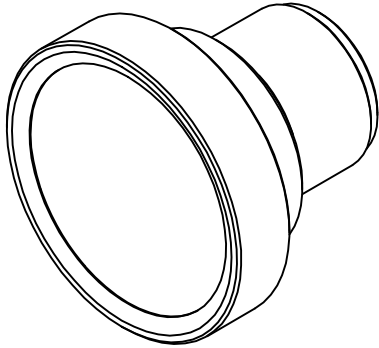


Revision History		
Rev	Description	Date
1	Release	7/22/2022
2	Update FoV Table, Add Entrance Pupil	11/14/2022
3	Add Reference Dimensions	10/24/2023
4	Updated title block	8/14/2024



- Notes:  
 1.) Dimensions in parentheses are reference only.  
 2.) No filter.

Name	Date	Effective Focal Length (EFL)	Format Type	Nominal Resolution	Image Circle	FOV	Rectilin.	Distortion	F.#	TV (4:3)	UNLESS OTHERWISE SPECIFIED DIMENSIONS ARE IN MILLIMETERS TOLERANCES:		
Drawn		2.2mm	1/2.3"	6MP	4.0mm	87°	-4%	+20%	-2%		MECHANICAL:	THIRD ANGLE	
Checked		F/# 2.2	Design Image Circle 7.2mm	Max Image Circle 7.8mm	7.0mm	121°	-10%	+51%	-5%		X ±1 X.X ±0.1 X.XX ±0.01		
QA Appr.		Chief Ray Angle (CRA) 25°	Operating Temperature /	Storage Temperature /	7.85mm	127°	-12%	+60%	-6%		OPTICAL: ±5% OF NOMINAL VALUE	DATE	
		Optical Construction Glass, Plastic	Barrel Material AL6061	Weight 9.3g	TITLE 2.2mm M12 Lens				8/14/2024				
<b>Commonlands LLC</b> San Diego, CA +1 (858) 333-7325, engineering@commonlands.com					PART NUMBER CIL023-F2.2-M12ANIR			SHEET 1 OF 1		REV 4		DO NOT SCALE	