

### HS-472

#### Description:

Hermetically sealed in conformance with specification MIL-T-27A, these units are marked for 400-cycle operation...but function efficiently at 380 to 1500 cycles. They offer distinct advantages in space and weight savings, and their over-all performance conforms to highest engineering standards.

#### Electrical Specifications (@25C)

Primary Voltage: 115VAC @ 380-1500 cycles  
 Secondary Voltage: 115VAC @ 1.39A, 160VA  
 Hipot: 1500 RMS Primary to Secondary  
 Static shield

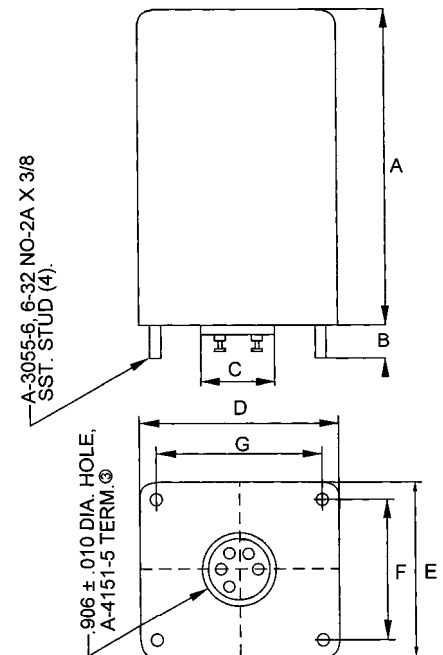
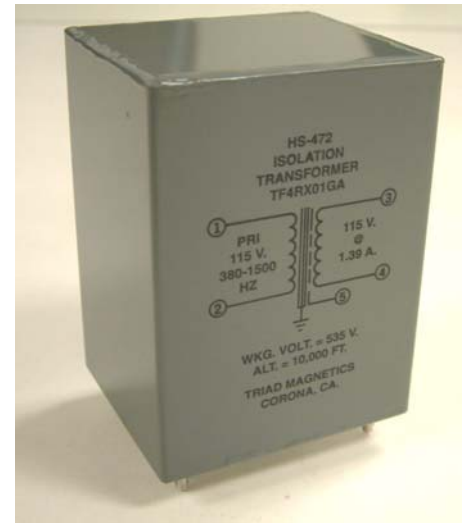
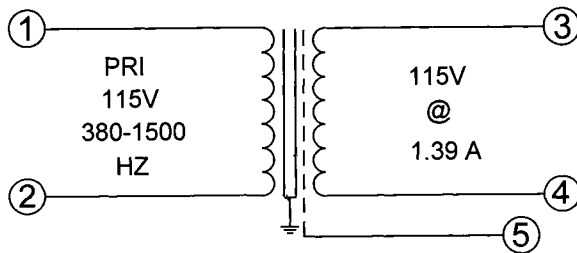
#### Construction:

Construction per MIL-T-27A Grade 4 Class R Life X Alt. 10,000 Ft. Max.  
 Recommended chassis cut-out for term. 1 3/32 Dia.

#### Dimensions:

A	B	C	D	E	F	G
3 3/16 +0,-3/16	3/8±1/16	7/8±1/4	2 3/4 +0,-1/8	2 3/8 +0,-1/8	1 3/4±1/64	2 1/8±1/64

Units: In inches



**RoHS Compliance:** As of manufacturing date February 2005, all standard products meet the requirements of 2011/65/EU, known as the RoHS initiative.

\* Upon printing, this document is considered "uncontrolled" Please contact Triad Magnetics' website for the most current version.

Web: [www.TriadMagnetics.com](http://www.TriadMagnetics.com)  
 Phone 951-277-0757  
 Fax 951-277-2757

460 Harley Knox Blvd.  
 Perris, California 92571

Publish Date: December 4, 2013