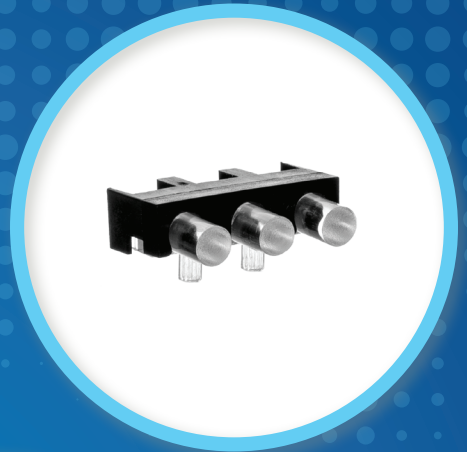


OPTOPIPE[®] Light Pipes

SELECTOR GUIDE



CONTENTS

PCB MOUNT

Right Angle / Single Position / Single-Level4
 Right Angle / Single Position / Multi-Level7
 Right Angle / Multi-Array / Single-Level10

PANEL MOUNT

Right Angle / Single Position / Single-Level13
 Right Angle / Multi-Array / Single-Level13
 Vertical / Single Position / Single-Level14
 Vertical / Multi-Array / Single-Level14

SWITCH MOUNT

Vertical / Single Position / Single-Level15

SURFACE MOUNT

Recommended Micro led® Surface Mount LEDs16

ACTUATOR EXTENSIONS

OPTOPIPE® Light Pipe Actuator Extensions17

VARIABLE LENGTH OPTOPIPE® LIGHT PIPES

Vertical Board Mount OPTOPIPE® Light Pipes
 3mm Diameter Output19
 XY Variable Length/Height, Right Angle OPTOPIPE® Light Pipes
 3mm Diameter Output22
 Vertical Panel Mount OPTOPIPE® Light Pipes
 3mm Diameter Output26
 Reverse Mount OPTOPIPE® Light Pipes
 3mm Diameter Output28
 OPTOPIPE® Countersink Light Pipes
 1mm, 2mm and 3mm Diameter Output31
 Vertical Panel Mount OPTOPIPE® Light Pipes
 5mm Diameter Output34
 Right Angle Vertical Panel Mount OPTOPIPE® Light Pipes
 5mm Diameter Output37

OE PRODUCT SHOWCASE40



MOUNTING OPTIONS

Light pipes are either PCB or panel mounted.

Mounted to a PCB by pressing into holes drilled into the PCB.

Pressed into the front-panel and rest on the PCB, just above the LED(s).

Epoxy or heat-staking for extra support depending on application.



POSITIONS & DIRECTIONS

Single and multiple positions

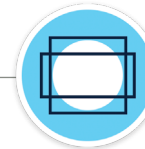


Vertical and horizontal directions

Right angle



Multi-Level



LENS TYPES

Depending on application needs there are several available lens options:

- | | |
|---------------|------------|
| Round ● | Flat — |
| Square ■ | Convex ⤴ |
| Rectangular ■ | Domed ⤵ |
| Textured ● | Polished ○ |



MATERIALS

Light pipes are typically produced from:

Polycarbonate

Other optical grade material



SHIELDING OPTIONS

Shielded and Unshielded

Shielding optimizes the light output of the light pipe by preventing light bleed and eliminating optical cross talk between adjacent light sources.

OVERVIEW

WHY LIGHT PIPES?

Visual status indication provides for safe and reliable operation of electrical equipment, instruments, and electronic devices and also serves diagnostic purposes as well.

While lamp holders, which utilize separate incandescent or neon bulbs and lens caps, dominated the market in the majority of the 20th century, LED-based light sources are predominantly used today to provide visual indication.

TECHNICAL SOLUTIONS

Light-pipes provide front-panel indication where:

- Traditional indicators are too large or other space constraints exist
- Indication is required over, around, or beneath front-panel components
- EMI/RFI concerns require location of the light source away from the front-panel
- Indication is desired after all mechanical design considerations were made

We also design light pipes for non-diagnostic applications, including lighted company logos. Light loss between the LED and light-pipe interface must be considered and there is also additional transmission loss through the pipe or wherever there is a bend. The shape of the light-pipe also influences the output.

Dialight's design engineers will recommend the best LED for use with each light pipe.

DIALIGHT OPTOPIPE®

Dialight's expertise in LED indication and lighting is apparent in our line of engineered light-pipes. Dialight has been a leading manufacturer of light pipes for network communication and electronic equipment for more than 10 years.

Our 200 standard and custom solutions are complemented by new designs resulting from customer requirements or market developments.

Dialight's optical and mechanical engineers use the latest modeling tools to develop mechanical and optical simulations that ensure expected performance of the design. SLAs are available to represent the physical and optical characteristics of the design.

Dialight also has an extensive optics lab for post-design measurement and analysis. With various single and multiple position products for either Panel Mount or PCB Mount oriented light pipes already in production, we also have the added capability to manufacture custom solutions to meet your specific requirements.



FEATURES AND BENEFITS

Design Flexibility

- LED light pipes are available in numerous configurations and styles to accommodate even the most challenging indication needs.
- Easy installation on a PCB or in a panel.
- Light pipes can be used with surface mount or through hole LEDs.*
- They offer a degree of customization. X/Y variable and vertical light pipes offer the most customization options for height and length dimensions.

Cost Savings

- Light Pipes are generally more cost-efficient than alternative indicator technologies.
- They eliminate the need for costly PCB or panel layout redesigns.

Performance

- Light Pipes provide unvarying indicator illumination across different heights and lengths of the pipe.
- Shielded light pipes efficiently eliminate light bleed and optical cross-talk.
- Molded from RoHS compliant UL94-V0 Water Clear Polycarbonate with an oxygen index of 35%.

**Dialight generally recommends a specific LED for use with a given light pipe.*

TYPICAL APPLICATIONS

- Data center Infrastructure
- Servers - rack mount; blade; tower
- Storage – high-performance storage subsystems for high-end enterprise
- Networking equipment for enterprise data centers and telecom communication centers
- Switches, routers, and network control equipment interconnected using fiber optic and high speed wiring
- Storage networking hardware
- Fiber channel host bus adapter cards (HBAs); converged network adapter cards (CNAs); iSCSI adapter cards; InfiniBand adapter cards
- Next-Gen wireless
- Wireless infrastructure
- Electronic test and measurement instruments
- Communications testing equipment
- Process controls
- Automation
- Medical
- Handheld devices

RIGHT ANGLE / SINGLE POSITION / SINGLE-LEVEL

CLICK on boxes below for more information 



515-1001F

PCB TO CENTERLINE OF LENS
0.125" (3.175mm)
OVERALL LENGTH
0.719" (18.263mm)
OVERALL WIDTH
1.056" (26.82mm)
OVERALL HEIGHT FROM PCB
0.245" (6.223mm)

SUGGESTED LED PACKAGES
PLCC-2, PLCC-4, 3528



515-1011F

PCB TO CENTERLINE OF LENS
0.250" (6.35mm)
OVERALL LENGTH
0.575" (14.605mm)
OVERALL WIDTH
0.422" (10.719mm)
OVERALL HEIGHT FROM PCB
0.345" (8.763mm)

SUGGESTED LED PACKAGES
PLCC-2, PLCC-4, 3528



515-1038F

PCB TO CENTERLINE OF LENS
0.320" (8.13mm)
OVERALL LENGTH
1.026" (26.06mm)
OVERALL WIDTH
0.462" (11.73mm)
OVERALL HEIGHT FROM PCB
0.43" (10.92mm)

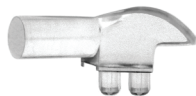
SUGGESTED LED PACKAGES
PLCC-2, PLCC-4, 3528



515-1039F

PCB TO CENTERLINE OF LENS
0.882" (22.4mm)
OVERALL LENGTH
1.026" (26.06mm)
OVERALL WIDTH
0.479" (12.17mm)
OVERALL HEIGHT FROM PCB
1.00" (25.4mm)

SUGGESTED LED PACKAGES
PLCC-2, PLCC-4, 3528



515-1049F

PCB TO CENTERLINE OF LENS
0.106" (2.69mm)
OVERALL LENGTH
0.65" (16.51mm)
OVERALL WIDTH
0.14" (3.55mm)
OVERALL HEIGHT FROM PCB
0.21" (5.33mm)

SUGGESTED LED PACKAGES
PLCC-2, PLCC-4, 3528



515-1049-802F

PCB TO CENTERLINE OF LENS
0.106" (2.69mm)
OVERALL LENGTH
0.52" (13.21mm)
OVERALL WIDTH
0.14" (3.55mm)
OVERALL HEIGHT FROM PCB
0.21" (5.33mm)

SUGGESTED LED PACKAGES
PLCC-2, PLCC-4, 3528



515-1054F

OVERALL LENGTH
0.355" (9.02mm)
OVERALL HEIGHT FROM PCB
0.450" (11.43mm)

SUGGESTED LED PACKAGES
PLCC-2, PLCC-4, 3528



515-1054-801F

PCB TO CENTERLINE OF LENS
0.350" (8.89mm)
OVERALL LENGTH
0.355" (9.02mm)
OVERALL WIDTH
0.410" (10.41mm)
OVERALL HEIGHT FROM PCB
0.450" (11.43mm)

SUGGESTED LED PACKAGES
PLCC-2, PLCC-4, 3528



515-1061-801F

PCB TO CENTERLINE OF LENS
0.100" (2.54mm)
OVERALL LENGTH
0.55" (13.9mm)
OVERALL WIDTH
0.180" (4.57mm)
OVERALL HEIGHT FROM PCB
0.360" (9.14mm)

SUGGESTED LED PACKAGES
1208, 1210



515-1061-803F

PCB TO CENTERLINE OF LENS
0.100" (2.54mm)
OVERALL LENGTH
0.55" (13.9mm)
OVERALL WIDTH
0.180" (4.57mm)
OVERALL HEIGHT FROM PCB
0.360" (9.14mm)

SUGGESTED LED PACKAGES
1208, 1210



515-1105F

OVERALL LENGTH
0.700" (17.78mm)
OVERALL WIDTH
0.128" (3.24mm)
OVERALL HEIGHT FROM PCB
0.159" (4.04mm) max

SUGGESTED LED PACKAGES
1208, 1210



515-1111F

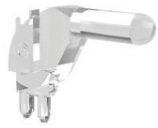
PCB TO CENTERLINE OF LENS
0.563" (14.30mm)
OVERALL LENGTH
2.061" (52.35mm)
OVERALL WIDTH
0.380" (9.65mm)
OVERALL HEIGHT FROM PCB
0.613" (15.57mm)

SUGGESTED LED PACKAGES
1208, 1210

Need assistance choosing the best LED for your light pipe application? [Contact us today!](#)

RIGHT ANGLE / SINGLE POSITION / SINGLE-LEVEL

CLICK on boxes below for more information 



515-1114-801F

PCB TO CENTERLINE OF LENS
0.300" (7.62mm)
OVERALL LENGTH
0.700" (17.78mm)
OVERALL WIDTH
0.180" (4.57mm)
OVERALL HEIGHT FROM PCB
0.360" (9.14mm)
SUGGESTED LED PACKAGES
1208, 1210



515-1135F

PCB TO CENTERLINE OF LENS
0.250" (6.35mm)
OVERALL LENGTH
2.369" (60.17mm)
OVERALL HEIGHT FROM PCB
0.475" (12.07mm)
SUGGESTED LED PACKAGES
1208, 1210



515-1136F

PCB TO CENTERLINE OF LENS
0.250" (6.35mm)
OVERALL LENGTH
2.369" (60.17mm)
OVERALL HEIGHT FROM PCB
0.475" (12.07mm)
SUGGESTED LED PACKAGES
1208, 1210



515-1137F

PCB TO CENTERLINE OF LENS
0.075" (1.91mm)
OVERALL LENGTH
0.69" (17.53mm)
OVERALL WIDTH
0.225" (5.72mm)
OVERALL HEIGHT FROM PCB
0.159" (4.04mm) max
SUGGESTED LED PACKAGES
1208, 1210



515-1137-802F

OVERALL LENGTH
0.699" (17.74mm)
OVERALL WIDTH
0.225" (5.72mm)
OVERALL HEIGHT FROM PCB
0.158" (4mm)
SUGGESTED LED PACKAGES
1208, 1210



515-1141-160F

PCB TO CENTERLINE OF LENS
0.197" (5mm)
OVERALL LENGTH
0.708" (17.98mm)
OVERALL WIDTH
0.420" (10.67mm)
OVERALL HEIGHT FROM PCB
0.236" (6mm)
SUGGESTED LED PACKAGES
PLCC-2, PLCC-4, 3528



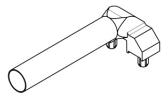
515-1141-195F

PCB TO CENTERLINE OF LENS
0.197" (5mm)
OVERALL LENGTH
0.8456" (21.48mm)
OVERALL WIDTH
0.420" (10.67mm)
OVERALL HEIGHT FROM PCB
0.336" (8.54mm)
SUGGESTED LED PACKAGES
PLCC-2, PLCC-4, 3528



515-1141-250F

PCB TO CENTERLINE OF LENS
0.197" (5mm)
OVERALL LENGTH
1.0622" (26.98mm)
OVERALL WIDTH
0.420" (10.67mm)
OVERALL HEIGHT FROM PCB
0.336" (8.54mm)
SUGGESTED LED PACKAGES
PLCC-2, PLCC-4, 3528



515-1142-170F

PCB TO CENTERLINE OF LENS
0.197" (5mm)
OVERALL LENGTH
0.747" (18.98mm)
OVERALL WIDTH
0.420" (10.67mm)
OVERALL HEIGHT FROM PCB
0.276" (7mm)
SUGGESTED LED PACKAGES
PLCC-2, PLCC-4, 3528



515-1142-195F

PCB TO CENTERLINE OF LENS
0.197" (5mm)
OVERALL LENGTH
0.8456" (21.48mm)
OVERALL WIDTH
0.420" (10.67mm)
OVERALL HEIGHT FROM PCB
0.376" (9.55mm)
SUGGESTED LED PACKAGES
PLCC-2, PLCC-4, 3528



515-1142-250F

PCB TO CENTERLINE OF LENS
0.197" (5mm)
OVERALL LENGTH
1.06" (26.98mm)
OVERALL WIDTH
0.420" (10.67mm)
OVERALL HEIGHT FROM PCB
0.276" (7mm)
SUGGESTED LED PACKAGES
PLCC-2, PLCC-4, 3528



515-1154F

PCB TO CENTERLINE OF LENS
0.030" (0.76mm)
OVERALL LENGTH
1.811" (46mm)
OVERALL WIDTH
0.118" (3.0mm)
OVERALL HEIGHT FROM PCB
0.060" (1.52mm)
SUGGESTED LED PACKAGES
1208 right angle

Need assistance choosing the best LED for your light pipe application? [Contact us today!](#)

PCB MOUNT

RIGHT ANGLE / SINGLE POSITION / SINGLE-LEVEL

CLICK on boxes below for more information 



515-1154-801F
 PCB TO CENTERLINE OF LENS
 0.030" (0.76mm)
 OVERALL LENGTH
 0.945" (24mm)
 OVERALL WIDTH
 0.118" (3.0mm)
 OVERALL HEIGHT FROM PCB
 0.060" (1.52mm)
SUGGESTED LED PACKAGES
 1208 right angle



515-1154-803F
 PCB TO CENTERLINE OF LENS
 0.030" (0.76mm)
 OVERALL LENGTH
 0.674" (17.12mm)
 OVERALL WIDTH
 0.118" (3.0mm)
 OVERALL HEIGHT FROM PCB
 0.060" (1.52mm)
SUGGESTED LED PACKAGES
 1208 right angle




515-1154-804F
 OVERALL LENGTH
 1.508" (38.3mm)
 OVERALL HEIGHT FROM PCB
 0.060" (1.52mm)
SUGGESTED LED PACKAGES
 1208 right angle




515-1173F
 OVERALL LENGTH
 0.700" (17.78mm)
 OVERALL HEIGHT FROM PCB
 0.159" (4.04mm)
SUGGESTED LED PACKAGES
 1208, 1210



515-1174F
 OVERALL LENGTH
 0.700" (17.78mm)
 OVERALL HEIGHT FROM PCB
 0.159" (4.04mm)
SUGGESTED LED PACKAGES
 1208, 1210



515-1203F
 PCB TO CENTERLINE OF LENS
 0.100" (2.54mm)
 OVERALL LENGTH
 0.553" (14.05mm)
 OVERALL WIDTH
 0.175" (4.45mm)
 OVERALL HEIGHT FROM PCB
 0.161" (4.09mm)
SUGGESTED LED PACKAGES
 1208, 1210



515-1207F
 PCB TO CENTERLINE OF LENS
 0.150" (3.81mm)
 OVERALL LENGTH
 0.715" (18.15mm)
 OVERALL WIDTH
 0.160" (4.06mm)
 OVERALL HEIGHT FROM PCB
 0.335" (8.51mm)
SUGGESTED LED PACKAGES
 1208



515-1231F
 PCB TO CENTERLINE OF LENS
 0.123" (3.11mm)
 OVERALL LENGTH
 0.778" (1.97mm)
 OVERALL WIDTH
 0.152" (3.85mm)
 OVERALL HEIGHT FROM PCB
 0.516" (2.5mm)
SUGGESTED LED PACKAGES
 0402, 0404, 0603

SEE PAGE 9 for more options!

VERTICAL / SINGLE POSITION / SINGLE-LEVEL



515 SERIES
Vertical Board Mount OPTOPIPE® Light Pipes
 3mm Diameter Output
[CLICK HERE](#)

Need assistance choosing the best LED for your light pipe application? [Contact us today!](#)

RIGHT ANGLE / SINGLE POSITION / MULTI-LEVEL

CLICK on boxes below for more information 



515-1009F

PCB TO CENTERLINE OF LENS
0.202" (5.13mm)
OVERALL LENGTH
0.954" (24.24mm)
OVERALL WIDTH
0.470" (11.94mm)
OVERALL HEIGHT FROM PCB
0.653" (16.59mm)

SUGGESTED LED PACKAGES
1208, 1210



515-1023F

PCB TO CENTERLINE OF LENS
0.203" (5.156mm)
OVERALL LENGTH
1.125" (28.575mm)
OVERALL WIDTH
0.470" (11.938mm)
OVERALL HEIGHT FROM PCB
0.850" (21.59mm)

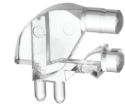
SUGGESTED LED PACKAGES
0606, 1210



515-1023-806F

PCB TO CENTERLINE OF LENS
0.203" (5.156mm)
OVERALL LENGTH
1.363" (34.62mm)
OVERALL WIDTH
0.470" (11.938mm)
OVERALL HEIGHT FROM PCB
0.851" (21.6mm)

SUGGESTED LED PACKAGES
0606, 1210



515-1061F

PCB TO CENTERLINE OF LENS
0.100" (2.54mm)
OVERALL LENGTH
0.55" (13.9mm)
OVERALL WIDTH
0.180" (4.57mm)
OVERALL HEIGHT FROM PCB
0.360" (9.14mm)

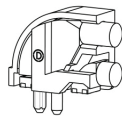
SUGGESTED LED PACKAGES
1208, 1210



515-1061-802F

PCB TO CENTERLINE OF LENS
0.100" (2.54mm)
OVERALL LENGTH
0.55" (13.9mm)
OVERALL WIDTH
0.180" (4.57mm)
OVERALL HEIGHT FROM PCB
0.360" (9.14mm)

SUGGESTED LED PACKAGES
1208, 1210



515-1061-805F

PCB TO CENTERLINE OF LENS
0.100" (2.54mm)
OVERALL LENGTH
0.610" (15.49mm)
OVERALL WIDTH
0.237" (6.02mm)
OVERALL HEIGHT FROM PCB
0.403" (10.24mm)

SUGGESTED LED PACKAGES
1206, 1208, 1210, 0603, 0606



515-1061-806F

OVERALL LENGTH
0.550" (13.97mm)
OVERALL WIDTH
0.180" (4.57mm)
OVERALL HEIGHT FROM PCB
0.360" (9.14mm)

SUGGESTED LED PACKAGES
1208, 1210



515-1064F

PCB TO CENTERLINE OF LENS
0.150" (3.81mm)
OVERALL LENGTH
0.900" (22.9mm)
OVERALL WIDTH
0.200" (5.08mm)
OVERALL HEIGHT FROM PCB
0.54" (13.7mm)

SUGGESTED LED PACKAGES
1208, 1210



515-1064-804F

PCB TO CENTERLINE OF LENS
0.150" (3.81mm)
OVERALL LENGTH
0.950" (24.13mm)
OVERALL WIDTH
0.206" (5.23mm)
OVERALL HEIGHT FROM PCB
0.585" (14.86mm)

SUGGESTED LED PACKAGES
1206, 1208, 1210, 0603, 0606



515-1064-807F

PCB TO CENTERLINE OF LENS
0.128" (3.25mm)
OVERALL LENGTH
0.900" (22.9mm)

SUGGESTED LED PACKAGES
1206, 1208, 1210, 0603, 0606



515-1064-808F

PCB TO CENTERLINE OF LENS
0.150" (3.81mm)
OVERALL LENGTH
0.950" (24.13mm)
OVERALL WIDTH
0.206" (5.23mm)
OVERALL HEIGHT FROM PCB
0.545" (13.84mm)

SUGGESTED LED PACKAGES
1206, 1208, 1210, 0603, 0606



515-1064-811F

PCB TO CENTERLINE OF LENS
0.150" (3.81mm)
OVERALL LENGTH
0.903" (22.94mm)

SUGGESTED LED PACKAGES
1206, 1208, 1210, 0603, 0606

Need assistance choosing the best LED for your light pipe application? Contact us today!

RIGHT ANGLE / SINGLE POSITION / MULTI-LEVEL

CLICK on boxes below for more information 



515-1064-812F

PCB TO CENTERLINE OF LENS
0.106" (2.69mm)
OVERALL LENGTH
0.692" (17.58mm)
OVERALL WIDTH
0.197" (5.01mm)
OVERALL HEIGHT FROM PCB
0.461" (11.72mm)

SUGGESTED LED PACKAGES
1208, 1210, 0606, 1206, 0603



515-1064-813F

PCB TO CENTERLINE OF LENS
0.150" (3.81mm)
OVERALL LENGTH
0.903" (22.94mm)
OVERALL HEIGHT FROM PCB
0.396" (10.06mm)

SUGGESTED LED PACKAGES
1208, 1210, 0606, 1206, 0603



515-1094F

PCB TO CENTERLINE OF LENS
0.100" (2.54mm)
OVERALL LENGTH
0.700" (17.78mm)
OVERALL WIDTH
0.180" (4.57mm)
OVERALL HEIGHT FROM PCB
0.360" (9.1mm)

SUGGESTED LED PACKAGES
1208, 1210



515-1094-801F

PCB TO CENTERLINE OF LENS
0.100" (2.54mm)
OVERALL LENGTH
0.700" (17.78mm)
OVERALL WIDTH
0.180" (4.57mm)
OVERALL HEIGHT FROM PCB
0.360" (9.1mm)

SUGGESTED LED PACKAGES
1208, 1210



515-1094-803F

PCB TO CENTERLINE OF LENS
0.100" (2.54mm)
OVERALL LENGTH
0.734" (18.64mm)
OVERALL WIDTH
0.168" (4.26mm)
OVERALL HEIGHT FROM PCB
0.369" (9.37mm)

SUGGESTED LED PACKAGES
1208, 1210



515-1094-804F

PCB TO CENTERLINE OF LENS
0.100" (2.54mm)
OVERALL LENGTH
0.761" (19.33mm)
OVERALL WIDTH
0.237" (6.02mm)
OVERALL HEIGHT FROM PCB
0.403" (10.24mm)

SUGGESTED LED PACKAGES
1208, 1210, 0606, 1206, 0603



515-1108F

PCB TO CENTERLINE OF LENS
0.203" (5.16mm)
OVERALL LENGTH
0.950" (24.13mm)
OVERALL WIDTH
0.470" (11.94mm)
OVERALL HEIGHT FROM PCB
0.660" (16.76mm)

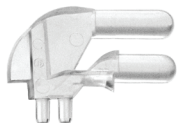
SUGGESTED LED PACKAGES
1208, 1210



515-1108-802F

PCB TO CENTERLINE OF LENS
0.398" (10.11mm)
OVERALL LENGTH
0.950" (24.13mm)
OVERALL WIDTH
0.470" (11.94mm)
OVERALL HEIGHT FROM PCB
0.656" (16.65mm)

SUGGESTED LED PACKAGES
1208, 1210



515-1114F

PCB TO CENTERLINE OF LENS
0.100" (2.54mm)
OVERALL LENGTH
0.700" (17.8mm)
OVERALL WIDTH
0.180" (4.6mm)
OVERALL HEIGHT FROM PCB
0.360" (9.14mm)

SUGGESTED LED PACKAGES
1208, 1210



515-1204F

PCB TO CENTERLINE OF LENS
0.100" (2.54mm)
OVERALL LENGTH
0.782" (19.86mm)
OVERALL WIDTH
0.175" (4.45mm)
OVERALL HEIGHT FROM PCB
0.360" (9.14mm)

SUGGESTED LED PACKAGES
1208, 1210



515-1205F

PCB TO CENTERLINE OF LENS
0.150" (3.81mm)
OVERALL LENGTH
0.921" (23.39mm)
OVERALL WIDTH
0.160" (4.06mm)
OVERALL HEIGHT FROM PCB
0.485" (12.32mm)

SUGGESTED LED PACKAGES
1208, 1210



515-1206F

PCB TO CENTERLINE OF LENS
0.150" (3.81mm)
OVERALL LENGTH
0.718" (18.24mm)
OVERALL WIDTH
0.160" (4.06mm)
OVERALL HEIGHT FROM PCB
0.335" (8.51mm)

SUGGESTED LED PACKAGES
1208, 1210

Need assistance choosing the best LED for your light pipe application? [Contact us today!](#)

RIGHT ANGLE / SINGLE POSITION / MULTI-LEVEL

CLICK on boxes below for more information 



515-1230F

PCB TO CENTERLINE OF LENS
0.123" (3.11mm)
OVERALL LENGTH
0.778" (1.97mm)
OVERALL WIDTH
0.152" (3.85mm)
OVERALL HEIGHT FROM PCB
0.516" (2.5mm)
SUGGESTED LED PACKAGES
0402, 0404, 0603



515-1232F

PCB TO CENTERLINE OF LENS
0.123" (3.11mm)
OVERALL LENGTH
0.778" (1.97mm)
OVERALL WIDTH
0.152" (3.85mm)
OVERALL HEIGHT FROM PCB
0.516" (2.5mm)
SUGGESTED LED PACKAGES
0402, 0404, 0603



515-1233F

PCB TO CENTERLINE OF LENS
0.123" (3.11mm)
OVERALL LENGTH
0.778" (1.97mm)
OVERALL WIDTH
0.152" (3.85mm)
OVERALL HEIGHT FROM PCB
0.516" (2.5mm)
SUGGESTED LED PACKAGES
0402, 0404, 0603

RIGHT ANGLE / MULTI-ARRAY / SINGLE-LEVEL



515-1000F

PCB TO CENTERLINE OF LENS
0.125" (3.175mm)
OVERALL LENGTH
0.719" (18.263mm)
OVERALL WIDTH
1.056" (26.82mm)
OVERALL HEIGHT FROM PCB
0.245" (6.223mm)
SUGGESTED LED PACKAGES
PLCC-2, PLCC-4, 3528



515-1005F

PCB TO CENTERLINE OF LENS
.089" (2.25mm)
OVERALL LENGTH
0.58" (14.73mm)
OVERALL WIDTH
0.36" (9.14mm)
OVERALL HEIGHT FROM PCB
0.18" (4.57mm)
SUGGESTED LED PACKAGES
0603, 0805, 1206



515-1010F

PCB TO CENTERLINE OF LENS
0.250" (6.35mm)
OVERALL LENGTH
0.575" (14.605mm)
OVERALL WIDTH
1.190" (30.226mm)
OVERALL HEIGHT FROM PCB
0.345" (8.763mm)
SUGGESTED LED PACKAGES
PLCC-2, PLCC-4, 3528



515-1020F

PCB TO CENTERLINE OF LENS
0.094" (2.388mm)
OVERALL LENGTH
0.514" (13.056mm)
OVERALL WIDTH
0.892" (22.657mm)
OVERALL HEIGHT FROM PCB
0.165" (4.191mm)
SUGGESTED LED PACKAGES
1208, 1206



515-1020-804F

PCB TO CENTERLINE OF LENS
0.094" (2.39mm)
OVERALL LENGTH
0.514" (13.06mm)
OVERALL WIDTH
0.640" (16.26mm)
OVERALL HEIGHT FROM PCB
0.165" (4.19mm)
SUGGESTED LED PACKAGES
1208, 1206



515-1020-805F

PCB TO CENTERLINE OF LENS
0.094" (2.388mm)
OVERALL LENGTH
0.514" (13.056mm)
OVERALL WIDTH
0.640" (16.256mm)
OVERALL HEIGHT FROM PCB
0.210" (5.334mm)
SUGGESTED LED PACKAGES
0603, 0805, 1206



515-1020-806F

PCB TO CENTERLINE OF LENS
0.094" (2.388mm)
OVERALL LENGTH
0.514" (13.056mm)
OVERALL WIDTH
0.935" (23.75mm)
OVERALL HEIGHT FROM PCB
0.210" (5.334mm)
SUGGESTED LED PACKAGES
0603, 0805, 1206



515-1022F

PCB TO CENTERLINE OF LENS
0.750" (19.05mm)
OVERALL LENGTH
1.230" (31.24mm)
OVERALL WIDTH
1.850" (46.99mm)
OVERALL HEIGHT FROM PCB
0.810" (20.574mm)
SUGGESTED LED PACKAGES
1208, 1210

Need assistance choosing the best LED for your light pipe application? Contact us today!

RIGHT ANGLE / MULTI-ARRAY / SINGLE-LEVEL

CLICK on boxes below for more information 



515-1029F

PCB TO CENTERLINE OF LENS
0.232" (5.89mm)
OVERALL LENGTH
0.560" (14.22mm)
OVERALL WIDTH
0.896" (22.76mm)
OVERALL HEIGHT FROM PCB
0.330" (8.38mm)

SUGGESTED LED PACKAGES
PLCC-2, PLCC-4, 3528



515-1030F

PCB TO CENTERLINE OF LENS
0.059" (1.5mm)
OVERALL LENGTH
0.48" (12.2mm)
OVERALL WIDTH
1.75" (44.5mm)
OVERALL HEIGHT FROM PCB
0.118" (3mm)

SUGGESTED LED PACKAGES
1206, 1208, 1210, Mini PLCC-2



515-1037F

PCB TO CENTERLINE OF LENS
0.375" (9.53mm)
OVERALL LENGTH
1.115" (28.32mm)
OVERALL WIDTH
1.370" (34.8mm)
OVERALL HEIGHT FROM PCB
0.460" (11.68mm)

SUGGESTED LED PACKAGES
PLCC-2, PLCC-4, 3528



515-1045F

PCB TO CENTERLINE OF LENS
0.740" (18.8mm)
OVERALL LENGTH
2.475" (62.87mm)
OVERALL WIDTH
1.730" (43.94mm)
OVERALL HEIGHT FROM PCB
0.790" (20.07mm)

SUGGESTED LED PACKAGES
PLCC-2, PLCC-4, 3528



515-1048F

PCB TO CENTERLINE OF LENS
0.094" (2.38mm)
OVERALL WIDTH
0.514" (13.06mm)

SUGGESTED LED PACKAGES
0603, 0805, 1206



515-1048-801F

PCB TO CENTERLINE OF LENS
0.094" (2.38mm)
OVERALL LENGTH
0.514" (13.06mm)
OVERALL WIDTH
0.935" (23.7mm)
OVERALL HEIGHT FROM PCB
0.21" (3.3mm)

SUGGESTED LED PACKAGES
0603, 0805, 1206



515-1051F

PCB TO CENTERLINE OF LENS
0.350" (8.89mm)
OVERALL LENGTH
0.430" (10.92mm)
OVERALL WIDTH
0.560" (14.22mm)
OVERALL HEIGHT FROM PCB
0.450" (11.43mm)

SUGGESTED LED PACKAGES
PLCC-2, PLCC-4, 3528



515-1052F

PCB TO CENTERLINE OF LENS
0.569" (14.45mm)
OVERALL LENGTH
1.260" (32mm)
OVERALL HEIGHT FROM PCB
0.646" (16.41mm)

SUGGESTED LED PACKAGES
PLCC-2, PLCC-4, 3528



515-1062F

PCB TO CENTERLINE OF LENS
0.150" (3.81mm)
OVERALL LENGTH
1.358" (34.49mm)
OVERALL WIDTH
0.375" (9.53mm)
OVERALL HEIGHT FROM PCB
0.239" (6.07mm)

SUGGESTED LED PACKAGES
1208, 1210



515-1062-801F

PCB TO CENTERLINE OF LENS
0.150" (3.81mm)
OVERALL LENGTH
0.590" (14.99mm)
OVERALL WIDTH
0.375" (9.53mm)
OVERALL HEIGHT FROM PCB
0.349" (8.86mm)

SUGGESTED LED PACKAGES
1208, 1210



515-1063F

PCB TO CENTERLINE OF LENS
0.320" (8.13mm)
OVERALL LENGTH
1.360" (34.54mm)
OVERALL WIDTH
0.710" (18.03mm)
OVERALL HEIGHT FROM PCB
0.409" (10.39mm)

SUGGESTED LED PACKAGES
1208, 1210



515-1069F

PCB TO CENTERLINE OF LENS
0.094" (2.39mm)
OVERALL LENGTH
0.640" (13.26mm)
OVERALL WIDTH
0.514" (13.06mm)
OVERALL HEIGHT FROM PCB
0.165" (4.19mm)

SUGGESTED LED PACKAGES
1206, 1208

Need assistance choosing the best LED for your light pipe application? Contact us today!

RIGHT ANGLE / MULTI-ARRAY / SINGLE-LEVEL

CLICK on boxes below for more information 



515-1070F

PCB TO CENTERLINE OF LENS
0.750" (19.05mm)
OVERALL LENGTH
1.230" (31.24mm)
OVERALL WIDTH
1.388" (35.26mm)
OVERALL HEIGHT FROM PCB
0.810" (20.57mm)

SUGGESTED LED PACKAGES
1208, 1210



515-1071F

PCB TO CENTERLINE OF LENS
0.094" (2.39mm)
OVERALL LENGTH
0.514" (13.06mm)
OVERALL WIDTH
0.500" (12.7mm)
OVERALL HEIGHT FROM PCB
0.165" (4.19mm)

SUGGESTED LED PACKAGES
1206, 1208



515-1078F

PCB TO CENTERLINE OF LENS
0.535" (13.59mm)
OVERALL LENGTH
2.100" (53.34mm)
OVERALL WIDTH
0.900" (22.86mm)
OVERALL HEIGHT FROM PCB
0.580" (14.73mm)

SUGGESTED LED PACKAGES
PLCC-2, PLCC-4, 3528



515-1086F

PCB TO CENTERLINE OF LENS
0.125" (3.18mm)
OVERALL LENGTH
0.316" (8.03mm)
OVERALL WIDTH
0.796" (20.22mm)
OVERALL HEIGHT FROM PCB
0.241" (6.12mm)

SUGGESTED LED PACKAGES
0603, 0805, 1206



515-1090F

PCB TO CENTERLINE OF LENS
0.437" (11.09mm)
OVERALL LENGTH
1.900" (48.26mm)
OVERALL WIDTH
0.460" (11.68mm)
OVERALL HEIGHT FROM PCB
0.470" (11.93mm)

SUGGESTED LED PACKAGES
1208, 1210



515-1090-801F

PCB TO CENTERLINE OF LENS
0.437" (11.1mm)
OVERALL LENGTH
1.950" (49.53mm)
OVERALL WIDTH
0.460" (11.7mm)
OVERALL HEIGHT FROM PCB
0.470" (12.1mm)

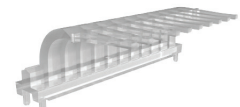
SUGGESTED LED PACKAGES
1208, 1210



515-1093F

PCB TO CENTERLINE OF LENS
0.692" (17.58mm)
OVERALL LENGTH
1.350" (34.2mm)
OVERALL WIDTH
2.570" (65.3mm)
OVERALL HEIGHT FROM PCB
0.740" (18.8mm)

SUGGESTED LED PACKAGES
PLCC-2, PLCC-4, 3528



515-1093-801F

PCB TO CENTERLINE OF LENS
0.692" (17.58mm)
OVERALL LENGTH
1.36" (34.5mm)
OVERALL WIDTH
2.59" (65.7mm)
OVERALL HEIGHT FROM PCB
0.74" (18.8mm)

SUGGESTED LED PACKAGES
PLCC-2, PLCC-4, 3528



515-1106F

OVERALL LENGTH
0.700" (17.78mm)
OVERALL WIDTH
0.630" (16.00mm)

SUGGESTED LED PACKAGES
1208, 1210



515-1113F

PCB TO CENTERLINE OF LENS
0.830" (21.08mm)
OVERALL LENGTH
1.817" (46.16mm)
OVERALL WIDTH
0.894" (22.7mm)
OVERALL HEIGHT FROM PCB
0.880" (22.35mm)

SUGGESTED LED PACKAGES
PLCC-2, PLCC-4, 3528



515-1118F

PCB TO CENTERLINE OF LENS
0.513" (13.03mm)
OVERALL LENGTH
2.200" (55.88mm)
OVERALL WIDTH
0.460" (11.68mm)
OVERALL HEIGHT FROM PCB
0.551" (13.98mm)

SUGGESTED LED PACKAGES
1208, 1210



515-1120F

PCB TO CENTERLINE OF LENS
0.259" (6.58mm)
OVERALL LENGTH
0.720" (18.29mm)
OVERALL WIDTH
0.930" (23.62mm)
OVERALL HEIGHT FROM PCB
0.354" (8.99mm)

SUGGESTED LED PACKAGES
PLCC-2, PLCC-4, 3528


Need assistance choosing the best LED for your light pipe application? Contact us today!

RIGHT ANGLE / MULTI-ARRAY / SINGLE-LEVEL

CLICK on boxes below for more information 



515-1126F
 PCB TO CENTERLINE OF LENS
 0.250" (6.35mm)
 OVERALL LENGTH
 1.950" (49.53mm)
 OVERALL WIDTH
 0.460" (11.68mm)
 OVERALL HEIGHT FROM PCB
 0.288" (7.3mm)
SUGGESTED LED PACKAGES
 1208, 1210




515-1138F
 OVERALL LENGTH
 0.700" (17.7mm)
 OVERALL WIDTH
 0.678" (17.21mm)
 OVERALL HEIGHT FROM PCB
 0.159" (4.04mm)
SUGGESTED LED PACKAGES
 1208, 1210




515-1154-802F
 OVERALL LENGTH
 0.945" (24mm)
 OVERALL HEIGHT FROM PCB
 0.100" (2.54mm)
SUGGESTED LED PACKAGES
 1208 Right Angle




515-1166F
 PCB TO CENTERLINE OF LENS
 0.030" (0.76mm)
 OVERALL LENGTH
 0.690" (17.53mm)
 OVERALL WIDTH
 0.901" (22.89mm)
 OVERALL HEIGHT FROM PCB
 0.075" (1.91mm)
SUGGESTED LED PACKAGES
 1208 Right Angle




515-1167F
 PCB TO CENTERLINE OF LENS
 0.059" (1.5mm)
 OVERALL LENGTH
 0.370" (9.4mm)
 OVERALL WIDTH
 0.658" (16.71mm)
 OVERALL HEIGHT FROM PCB
 0.110" (2.79mm)
SUGGESTED LED PACKAGES
 0603, 0805




515-1167-801F
 PCB TO CENTERLINE OF LENS
 0.059" (1.5mm)
 OVERALL LENGTH
 0.470" (11.94mm)
 OVERALL WIDTH
 0.658" (16.71mm)
 OVERALL HEIGHT FROM PCB
 0.096" (2.44mm)
SUGGESTED LED PACKAGES
 0603, 0805




515-1177-801F
 PCB TO CENTERLINE OF LENS
 0.474" (12.03mm)
 OVERALL LENGTH
 2.1145" (53.71 mm)
 OVERALL WIDTH
 0.176" (4.48mm)
 OVERALL HEIGHT FROM PCB
 0.580" (14.73mm)
SUGGESTED LED PACKAGES
 0402, 0404, 0603, 0606




515-1200F
 PCB TO CENTERLINE OF LENS
 0.660" (16.76mm)
 OVERALL LENGTH
 2.674" (67.92mm)
 OVERALL WIDTH
 0.535" (13.59mm)
 OVERALL HEIGHT FROM PCB
 0.710" (18.03mm)
SUGGESTED LED PACKAGES
 PLCC-2, PLCC-4, 3528



515-1201F
 PCB TO CENTERLINE OF LENS
 0.550" (13.97mm)
 OVERALL LENGTH
 2.419" (61.44mm)
 OVERALL WIDTH
 0.405" (10.29mm)
 OVERALL HEIGHT FROM PCB
 0.600" (15.24mm)
SUGGESTED LED PACKAGES
 PLCC-2, PLCC-4, 3528



515-1202F
 PCB TO CENTERLINE OF LENS
 0.590" (14.99 mm)
 OVERALL LENGTH
 1.158" (29.41 mm)
 OVERALL WIDTH
 0.350" (8.89 mm)
 OVERALL HEIGHT FROM PCB
 0.630" (16.00mm)
SUGGESTED LED PACKAGES
 1208, 1210



515-1240F
 PCB TO CENTERLINE OF LENS
 .549" (13.94mm)
 OVERALL LENGTH
 2.212" (56.18mm)
 OVERALL WIDTH
 0.993" (25.22mm)
 OVERALL HEIGHT FROM PCB
 0.578" (14.68mm)
SUGGESTED LED PACKAGES
 0404, 0603, 0805, 0606

Need assistance choosing the best LED for your light pipe application? Contact us today!

PANEL MOUNT

RIGHT ANGLE / SINGLE POSITION / SINGLE-LEVEL

CLICK on boxes below for more information 



515-1004F

PCB TO CENTERLINE OF LENS
0.173" (4.4mm)
OVERALL LENGTH
0.380" (9.652mm)
OVERALL WIDTH
0.298" (7.569mm)
MINIMUM PANEL THICKNESS
0.087" (2.21mm)

SUGGESTED LED PACKAGES
PLCC-2, PLCC-4, 3528



515-1024F

PCB TO CENTERLINE OF LENS
0.173" (4.4mm)
OVERALL LENGTH
0.530" (13.46mm)
OVERALL WIDTH
0.191" (4.85mm)
OVERALL HEIGHT FROM PCB
0.128" (3.25mm)

SUGGESTED LED PACKAGES
0402, 0404, 0603, 0606,
0805, PLCC-2, PLCC-4, 3528



515-1096F

PCB TO CENTERLINE OF LENS
0.105" (2.67mm)
OVERALL LENGTH
0.399" (10.13mm)
OVERALL WIDTH
0.210" (5.33mm)
OVERALL HEIGHT FROM PCB
0.210" (5.33mm)

SUGGESTED LED PACKAGES
0402, 0404, 0603, 0606,
0805, PLCC-2, PLCC-4, 3528



515-1119F

PCB TO CENTERLINE OF LENS
0.173" (4.4mm)
OVERALL LENGTH
0.512" (13mm)
OVERALL WIDTH
0.165" (4.19mm)
OVERALL HEIGHT FROM PCB
0.443" (11.25mm)

SUGGESTED LED PACKAGES
0402, 0404, 0603, 0606,
0805, PLCC-2, PLCC-4, 3528

VARIABLE LENGTH OPTIONS



515 SERIES
**XY Variable Length/
Height, Right Angle
OPTOPIPE®
Light Pipes**
3mm Diameter Output

[CLICK HERE](#)

RIGHT ANGLE / MULTI-ARRAY / SINGLE-LEVEL



515-1040F

PCB TO CENTERLINE OF LENS
0.025" (0.64mm)
OVERALL LENGTH
0.906" (23.01mm)
OVERALL WIDTH
0.405" (10.29mm)
OVERALL HEIGHT FROM PCB
0.050" (1.27mm)

SUGGESTED LED PACKAGES
0402, 0404, 0603, 0606,
0805, PLCC-2, PLCC-4, 3528

Need assistance choosing the best LED for your light pipe application? [Contact us today!](#)

PANEL MOUNT

VERTICAL / SINGLE POSITION / SINGLE-LEVEL


CLICK on boxes below for more information 



515-1003F
 OVERALL LENGTH
 0.237" (6.020mm)
 OVERALL WIDTH
 0.058" (1.473mm)
 MINIMUM PANEL THICKNESS
 0.079" (2.00mm)
SUGGESTED LED PACKAGES
 0402, 0404, 0603, 0805,
 0606, 1206, Mini PLCC-2



515-1016F
 OVERALL LENGTH
 0.163" (4.14mm)
 OVERALL WIDTH
 0.064" (1.626mm)
 MINIMUM PANEL THICKNESS
 0.047" (1.194mm)
SUGGESTED LED PACKAGES
 0402, 0404, 0603, 0805,
 0606, 1206, Mini PLCC-2




515-1027F
 OVERALL LENGTH
 0.325" (8.26mm)
 OVERALL WIDTH
 0.089" (2.26mm)
 MINIMUM PANEL THICKNESS
 0.063" (1.60mm)
SUGGESTED LED PACKAGES
 0402, 0404, 0603, 0805,
 0606, 1206, Mini PLCC-2



515-1027-801F
 OVERALL LENGTH
 0.207" (5.26mm)
 OVERALL WIDTH
 .088" (2.25mm)
 MINIMUM PANEL THICKNESS
 0.100" (2.54mm)
SUGGESTED LED PACKAGES
 0402, 0404, 0603, 0805,
 0606, 1206, Mini PLCC-2



515-1033-801F
 OVERALL LENGTH
 0.17" (4.4mm)
 OVERALL WIDTH
 0.36" (9.1mm)
 MINIMUM PANEL THICKNESS
 0.39" (0.99mm)
SUGGESTED LED PACKAGES
 0402, 0404, 0603, 0805,
 0606, 1206, Mini PLCC-2



515-1047F
 OVERALL LENGTH
 3.750" (95.25mm)
 OVERALL WIDTH
 0.250" (6.35mm)
SUGGESTED LED PACKAGES
 PLCC-2, PLCC-4, 3528



515-1104F
 OVERALL LENGTH
 0.861" (21.86mm)
SUGGESTED LED PACKAGES
 PLCC-2, PLCC-4, 3528



515-1221F
 OVERALL LENGTH
 0.821" (20.85mm)
 OVERALL WIDTH
 0.375" (9.53mm)

VARIABLE LENGTH OPTIONS



515 SERIES
Vertical Panel Mount OPTOPIPE® Light Pipes
 3mm Diameter Output
[CLICK HERE](#)



515 SERIES
Reverse Mount OPTOPIPE® Light Pipes
 3mm Diameter Output
[CLICK HERE](#)



515 SERIES
OPTOPIPE® Countersink Light Pipes
 1mm, 2mm and 3mm Diameter Output
[CLICK HERE](#)



515 SERIES
Vertical Panel Mount OPTOPIPE® Light Pipes
 5mm Diameter Output
[CLICK HERE](#)



515 SERIES
Right Angle Vertical Panel Mount OPTOPIPE® Light Pipes
 5mm Diameter Output
[CLICK HERE](#)

Need assistance choosing the best LED for your light pipe application? [Contact us today!](#)

PANEL MOUNT

VERTICAL / MULTI-ARRAY / SINGLE-LEVEL

CLICK on boxes below for more information 



515-1033F

OVERALL LENGTH
0.170" (4.32mm)

OVERALL WIDTH
0.910" (23.11mm)

MINIMUM PANEL THICKNESS
0.024" (0.61mm)

SUGGESTED LED PACKAGES
PLCC-2, PLCC-4, 3528



515-1155F

OVERALL LENGTH
0.3425" (8.699mm)

OVERALL WIDTH
0.175" (4.45mm)

OVERALL HEIGHT FROM PCB
0.121" (3.07mm)

MINIMUM PANEL THICKNESS
0.040" (1mm)

SUGGESTED LED PACKAGES
1208 RT Angle

ACTUATOR EXTENSIONS



515 SERIES
OPTOPIPE®
Light Pipes
Actuator Extensions

CLICK HERE

Need assistance choosing the best LED for your light pipe application? [Contact us today!](#)

SURFACE MOUNT

RECOMMENDED MICRO LED® SURFACE MOUNT LEDs

0402 SMT LED

	Red
	Orange
	Yellow
	Yellow-Green
	Green
	Blue
	White

0404 SMT LED bi- and tri-color

	Red/Green
	Red/Green/Blue

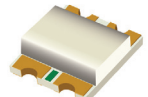
0603 SMT LED

	Red
	Orange
	Yellow
	Yellow-Green
	Green
	Blue
	White

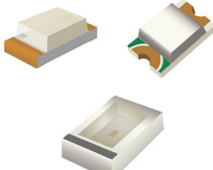
0603 SMT LED with domed lens

	Red
	Orange
	Yellow
	Yellow-Green
	Green
	Blue
	White

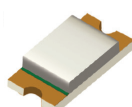
0606 SMT LED bi- and tri-color

	Red/Green
	Orange/Green
	Yellow/Green
	Yellow/Red
	Red/Green/Blue
	Red-Orange/Green/Blue
	Yellow/Green/Blue

0805 SMT LED

	Red
	Orange
	Yellow
	Yellow-Green
	Green
	Blue
White	


1206 SMT LED

	Red
	Orange
	Yellow
	Yellow-Green
	Green
	Blue
White	

1206 SMT LED with inner lens

	Red
	Orange
	Yellow
	Yellow-Green
	Green
	Blue
	White

1206 SMT LED reverse mount with inner lens

	Red
	Orange
	Yellow
	Yellow-Green
	Green
	Blue
	White

1206 SMT LED reverse mount with domed lens

	Red
	Orange
	Yellow
	Yellow-Green
	Green
	Blue
	White

1208 SMT LED with reflector cup

	Red
	Orange
	Yellow
	Yellow-Green
	Green
	Blue

1209 SMT LED with domed lens

	Red
	Orange
	Yellow
	Yellow-Green
	Green
	Blue

1210 SMT LED bi-color

	Red/Green
	Red-Orange/Green
	Yellow/Green
	Yellow/Red

1210 SMT LED bi-color with reflector cup

	Red/Green
	Yellow/Green

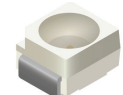
3528 SMT LED

	Red
	Orange
	Yellow
	Yellow-Green
	Green
	Blue

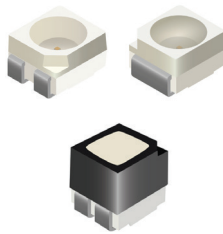
Mini PLCC-2 SMT LED

	Red
	Orange
	Yellow
	Yellow-Green
	Green
	Blue
	White

PLCC-2 SMT LED

	Red
	Orange
	Yellow
	Yellow-Green
	Green
	Blue
	White

PLCC-4 SMT LED single, bi- and tri-color

	Red
	Orange
	Yellow
	Yellow-Green
	Green
	Blue
	White
	Red/Green
	Yellow/Green
	Yellow/Red
	Red/Green/Blue
	Red/Green/Yellow
	Blue/Green/Yellow

PLCC-4 SMT LED high intensity with domed lens

	Red
	Orange
	Red-Orange
	Yellow
	Green
	Blue

Need assistance choosing the best LED for your light pipe application? [Contact us today!](#)



515 SERIES **OPTOPIPE® Light Pipe Actuator Extensions**

MECHANICAL / SPECIFICATIONS

MOUNTING TYPE:
Switch mount

VIEWING DIRECTION FROM PCB:
Vertical

LENS DIMENSION:
0.240" (6.1mm)

MOUNTING METHOD:
Snap-in

OPERATING TEMPERATURE:
-30°C to +100°C (-22°F to +212°F)

STORAGE TEMPERATURE:
-30°C to +100°C (-22°F to +212°F)

CERTIFICATIONS & RATINGS

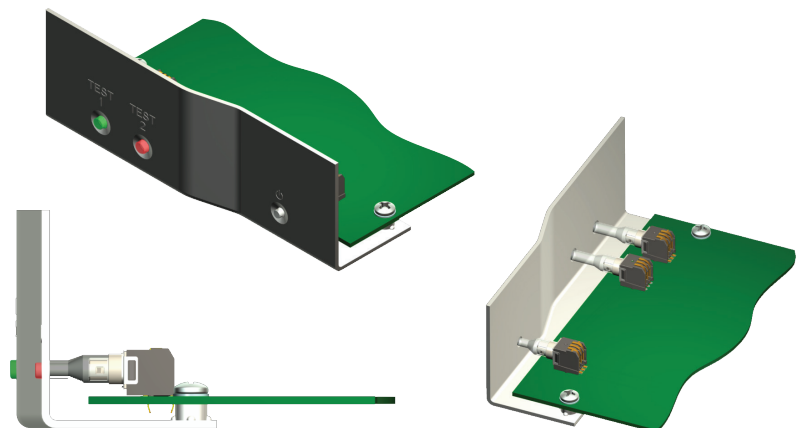
RoHS compliant

FEATURES & BENEFITS

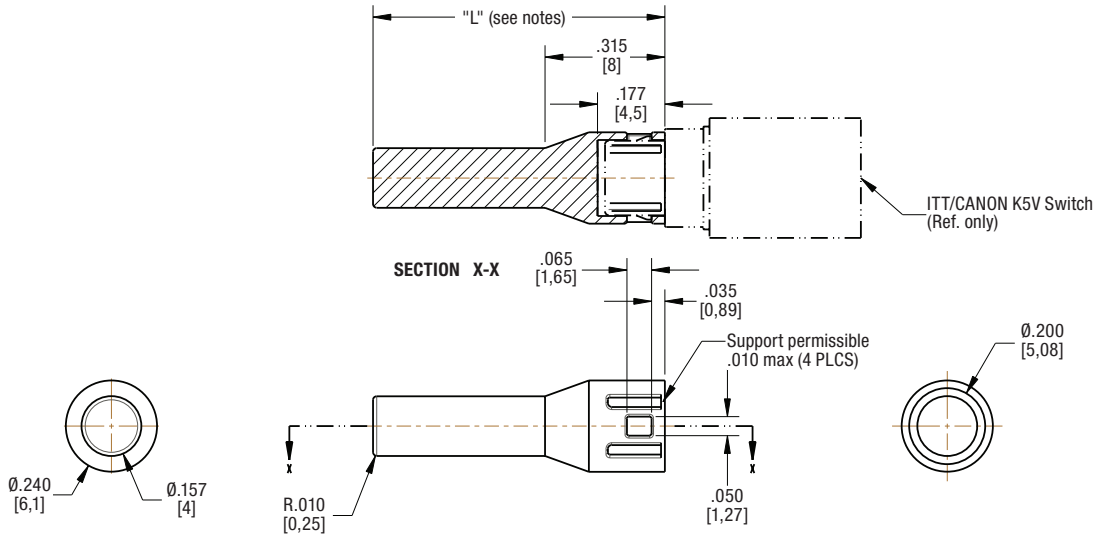
- Fits C&K K5V2 illuminated LED switch
- Available in 3mm and 4mm diameters
- Variable length from 10mm to 25mm
- RoHS compliant
- Custom color options available (consult factory)
- Custom length options available (consult factory)
- Opaque colors available for use with C&K K5V2
- Non-illuminated switches

APPLICATION

Dialight OPTOPIPE® actuator extensions are designed for use with C&K K5V2 lighted tactile switches. These snap-in clear lenses do not need to sit on the edge of a PCB and is offered in a variety of sizes to accommodate a range of panel depths. Dialight OPTOPIPE® actuator extensions are ideal for server, storage, network infrastructure, automotive, and medical applications.



DIMENSIONS inches [mm]



ORDERING INFORMATION

4mm Diameter

Part Numbers	Length
515-1140-100F	10mm
515-1140-120F	12mm
515-1140-125F	12.5mm
515-1140-130F	13mm
515-1140-195F	19.5mm
515-1140-225F	22.5mm
515-1140-235F	23.5mm
515-1140-250F	25mm

3mm Diameter

515-1149-145F	14.5mm
-------------------------------	--------



Dialight reserves the right to make changes at any time in order to supply the best product possible. The most current version of this document will always be available at: www.dialightsignalsandcomponents.com

Warranty Statement: Except for the warranty expressly provided for at: www.dialight.com/resources/warranties/, Dialight disclaims any and all other warranties, express or implied, including, without limitation, any warranties of merchantability, fitness for a particular purpose, title, and noninfringement.



515 SERIES

Vertical Board Mount OPTOPIPE® Light Pipes

3mm Diameter Output

MECHANICAL / SPECIFICATIONS

MOUNTING HOLE SIZE:
0.063" (1.6 mm)

MIN. PANEL THICKNESS:
0.063" (1.60mm)

OPERATING TEMPERATURE:
-30°C to +100°C (-22°F to +212°F)

STORAGE TEMPERATURE:
-30°C to +100°C (-22°F to +212°F)

CERTIFICATIONS & RATINGS

RoHS compliant

FEATURES & BENEFITS

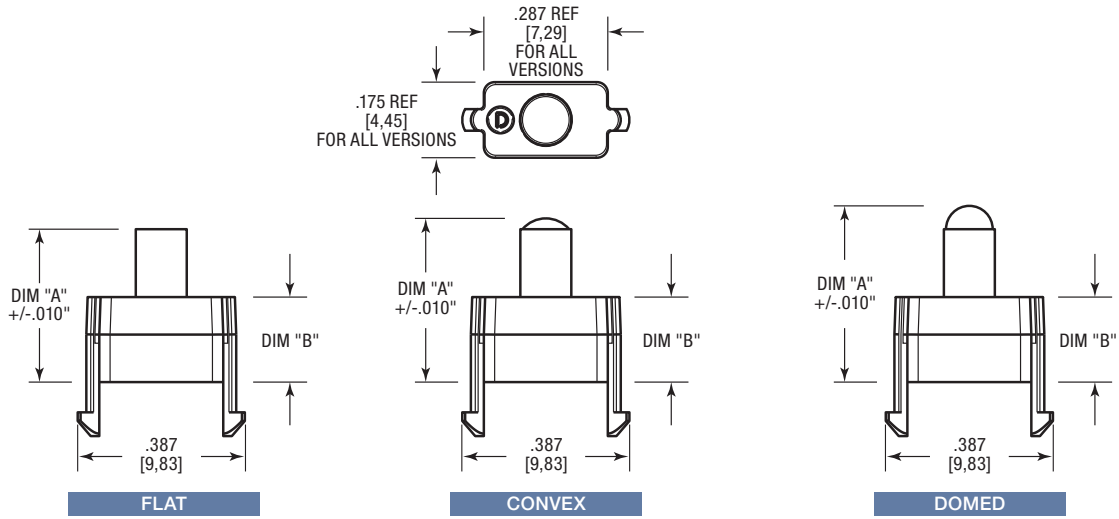
- Lengths varying from .250" to 1.250"
- Three lens styles for optimal viewing angles; flat, convex, and domed
- Designed for both single and multi-color LEDs
- Positive snap-in mounting to .063" ± .007" (1.6 ± 0.178 mm) PCB with opaque light barrier
- Low-voltage and minimal power consumption
- Light is produced through photonic emission, not as a by-product of a radiating heat source
- Molded from RoHS compliant UL94-V0 water clear polycarbonate with an oxygen index of 35%
- Designed to be used with Dialight PLCC-2 and PLCC-4 surface mount LEDs 597-XXXX-207NF (pad layout shown). See the [Surface Mount Selector Guide](#) for LED operating characteristics. Lower profile surface mount LEDs in 598 and 597 series can be used as well as reverse mount LEDs. Please consult factory for availability.

APPLICATION

Dialight vertical board mount OPTOPIPE® light pipes provide an excellent solution for products that contain a PCB that is parallel to the panel in need of indication. These UL94-V0 water clear polycarbonate light pipes are secured to the PCB using a custom snap-fit base that is easy to install. Vertical light pipes are ideal for building automation and other industrial applications. Dialight's OPTOPIPE® light pipes provide a great way to efficiently transfer light.

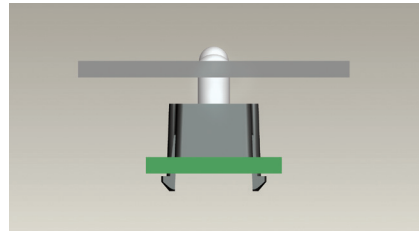
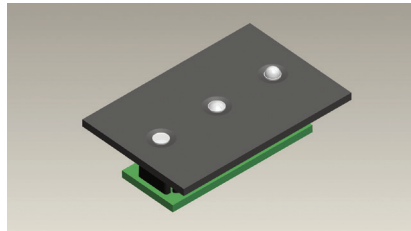
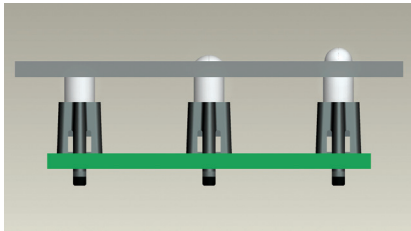
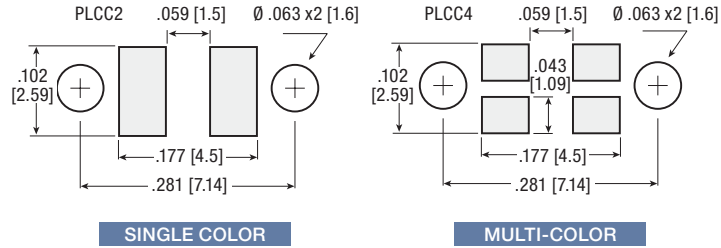
DIMENSIONS inches [mm]

Standard tolerance of +/- .005" [.127] applies unless otherwise specified.



RECOMMENDED SOLDER PAD AND THROUGH HOLE LAYOUT

Tolerance: +/- .002" [.051]



ORDERING INFORMATION

FLAT LENS

Part Number			Dim "A"	Dim "B"
PLCC or PLCC4	Chip LED	Reverse Mount		

Clear

515-1192-00250F	515-1192-10250F	515-1192-20250F	.250 [6.35]	.197 [5.0]
515-1192-00300F	515-1192-10300F	515-1192-20300F	.300 [7.62]	.197 [5.0]
515-1192-00350F	515-1192-10350F	515-1192-20350F	.350 [8.89]	.197 [5.0]
515-1192-00400F			.400 [10.16]	.197 [5.0]
515-1192-00450F	515-1192-10450F	515-1192-20450F	.450 [11.43]	.197 [5.0]
515-1192-00550F	515-1192-10550F	515-1192-20550F	.550 [13.97]	.375 [9.53]
515-1192-00600F			.600 [15.24]	.375 [9.53]
515-1192-00630F	515-1192-10630F	515-1192-20630F	.630 [16.00]	.375 [9.53]
515-1192-00800F	515-1192-10800F	515-1192-20800F	.800 [20.32]	.375 [9.53]
515-1192-00900F	515-1192-10900F	515-1192-20900F	.900 [22.86]	.375 [9.53]
515-1192-01000F	515-1192-11000F	515-1192-21000F	1.000 [25.4]	.375 [9.53]

Diffused

515-1192-00250DF	515-1192-10250DF		.250 [6.35]	.197 [5.0]
515-1192-00550DF			.550 [13.97]	.375 [9.53]

DOMED LENS

Part Number	Dim "A"	Dim "B"
PLCC or PLCC4		

Clear

515-1194-00300F	.300 [7.62]	.197 [5.0]
515-1194-00350F	.350 [8.89]	.197 [5.0]
515-1194-00450F	.450 [11.43]	.197 [5.0]
515-1194-00709F	.709 [18.01]	.375 [9.53]
515-1194-01000F	1.000 [25.4]	.375 [9.53]
515-1194-01169F	1.169 [29.69]	.375 [9.53]

Part Number		Dim "A"	Dim "B"
PLCC or PLCC4	Chip LED		

Diffused

515-1194-00300DF	515-1194-10300DF	.300 [7.62]	.197 [5.0]
515-1194-00350DF	515-1194-10350DF	.350 [8.89]	.197 [5.0]
515-1194-00512DF		.512 [13]	.197 [5.0]
515-1194-00610DF		.610 [15.49]	.375 [9.53]

CONVEX LENS

Part Number		Dim "A"	Dim "B"
PLCC or PLCC4	Chip LED		

Clear

515-1193-00300F		.300 [7.62]	.197 [5.0]
515-1193-00350F		.350 [8.89]	.197 [5.0]
515-1193-00450F		.450 [11.43]	.197 [5.0]
515-1193-00550F		.550 [13.97]	.375 [9.53]
515-1193-00630F		.630 [16.00]	.375 [9.53]
515-1193-00800F		.800 [20.32]	.375 [9.53]
515-1193-00900F		.900 [22.86]	.375 [9.53]
515-1193-01000F		1.000 [25.4]	.375 [9.53]



Dialight reserves the right to make changes at any time in order to supply the best product possible. The most current version of this document will always be available at: www.dialightsignalsandcomponents.com

Warranty Statement: Except for the warranty expressly provided for at: www.dialight.com/resources/warranties/, Dialight disclaims any and all other warranties, express or implied, including, without limitation, any warranties of merchantability, fitness for a particular purpose, title, and noninfringement.



515 SERIES **XY Variable Length/Height, Right Angle OPTOPIPE® Light Pipes** 3mm Diameter Output

MECHANICAL / SPECIFICATIONS

MOUNTING HOLE SIZE:
0.094" (2.39mm)

MIN. PANEL THICKNESS:
0.047" (1.194mm)

OPERATING TEMPERATURE:
-40°C to +100°C

STORAGE TEMPERATURE:
-40°C to +100°C

CERTIFICATIONS & RATINGS

RoHS compliant

SUGGESTED LEDS

SINGLE COLOR:
597-3XXX-207F/NF, 598-8BX0-107F

BI-COLOR:
597-77XX-207F, 007F

TRI-COLOR:
597-77XX-007F, 907F

FEATURES & BENEFITS

- Lengths varying from .319"-1.772"
- Heights varying from .200"-.500"
- Same board footprint across various heights and lengths
- Easy and secure installation via mounting pins on the housing
- Cost and time savings due to simplified board redesign
- No optical crosstalk, no light bleed
- Offers a high level of ESD protection
- Optical efficiency due to enclosed housing

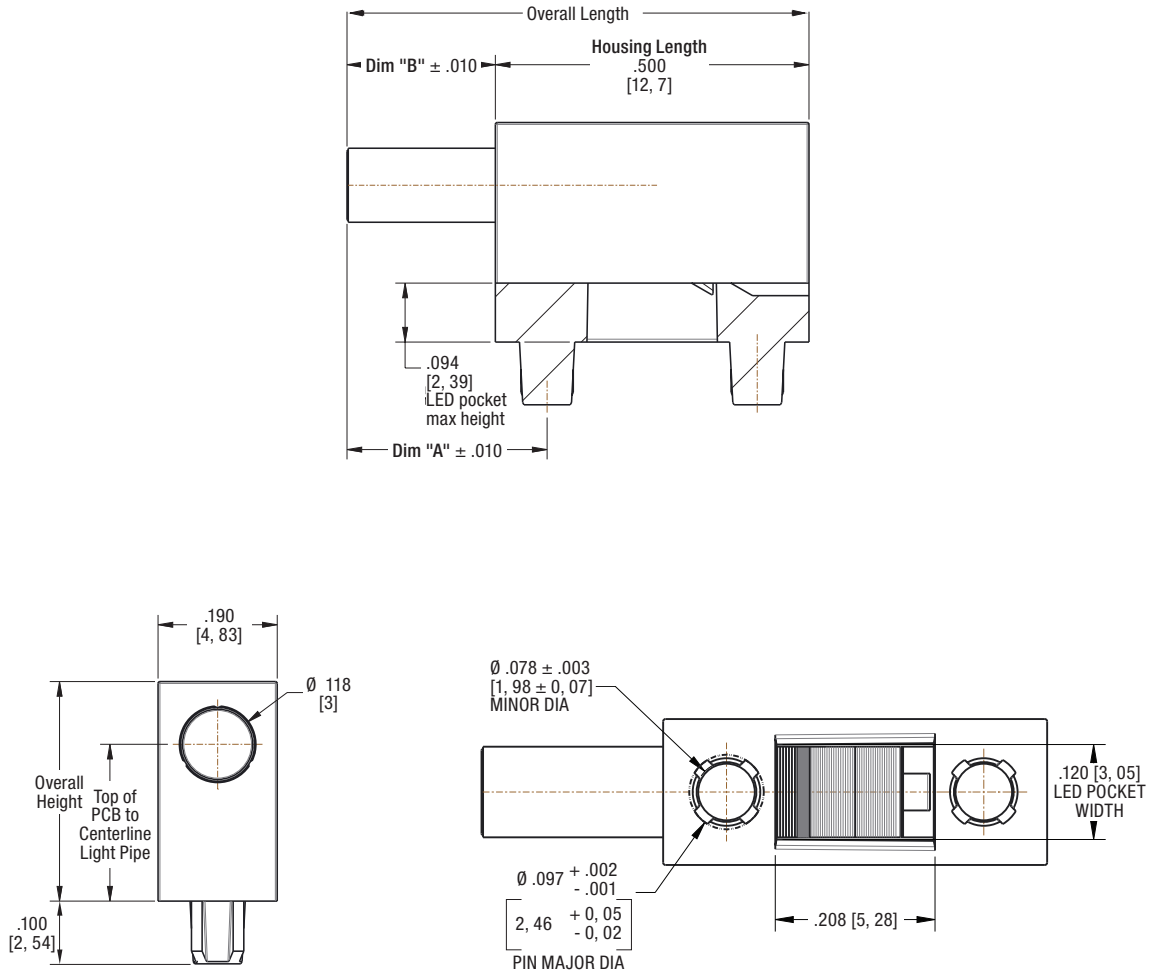
APPLICATION

Dialight's 515 OPTOPIPE® light pipe series offers the same board footprint across various heights and lengths and provide cost savings by simplifying circuit board designs or redesigns. The areas of application include, but are not limited to:

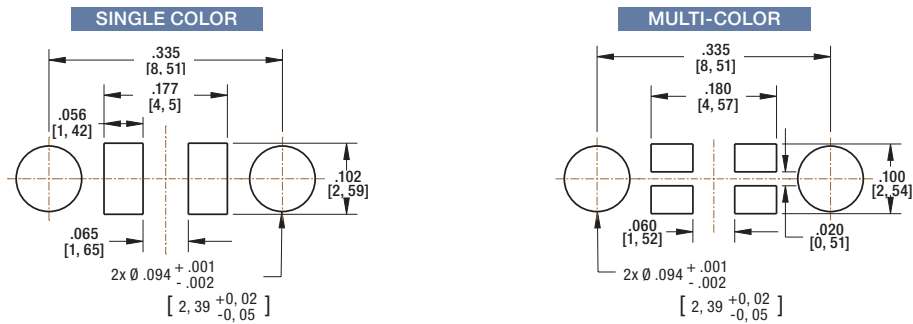
- Telecom
- Networking
- Data storage
- Medical
- Test and measurement
- Automation controls
- EV-charging
- Home communication equipment
- AV equipment
- Industrial embedded solutions

DIMENSIONS inches [mm]

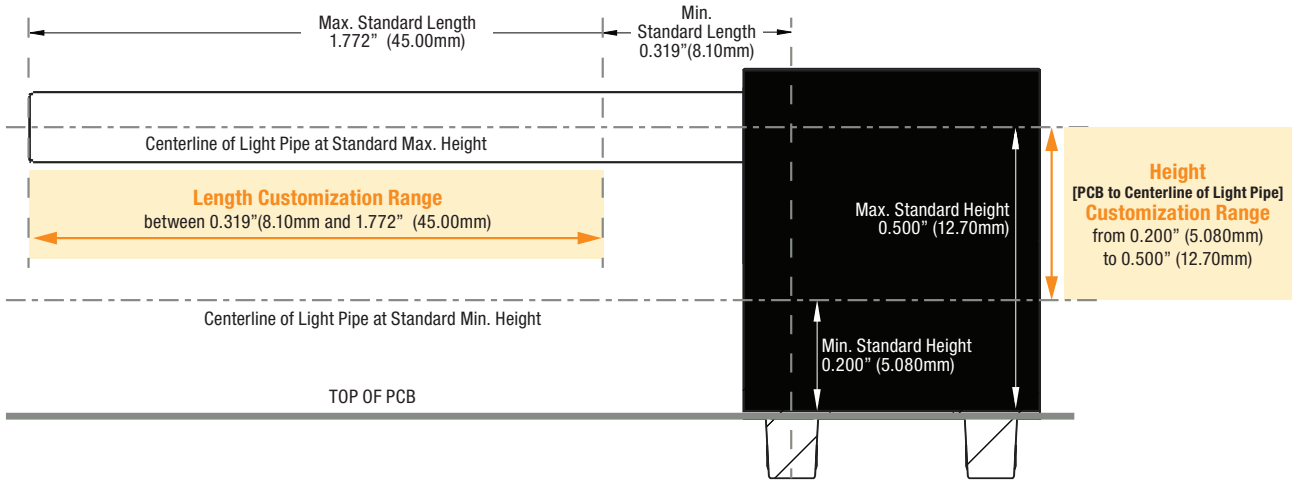
FLAT LENS



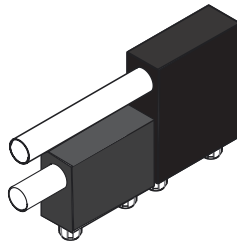
RECOMMENDED HOLE & PAD LAYOUT



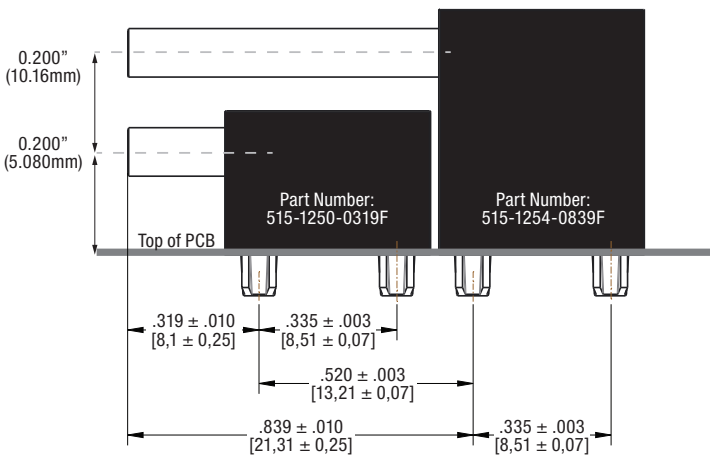
CUSTOMIZATION OPTIONS



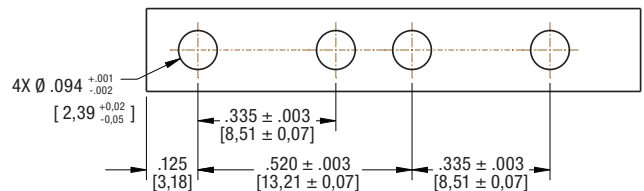
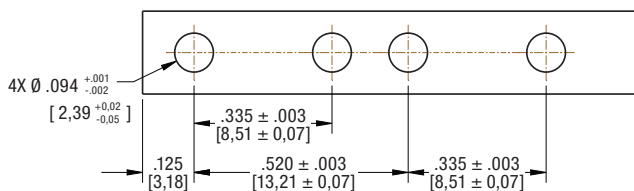
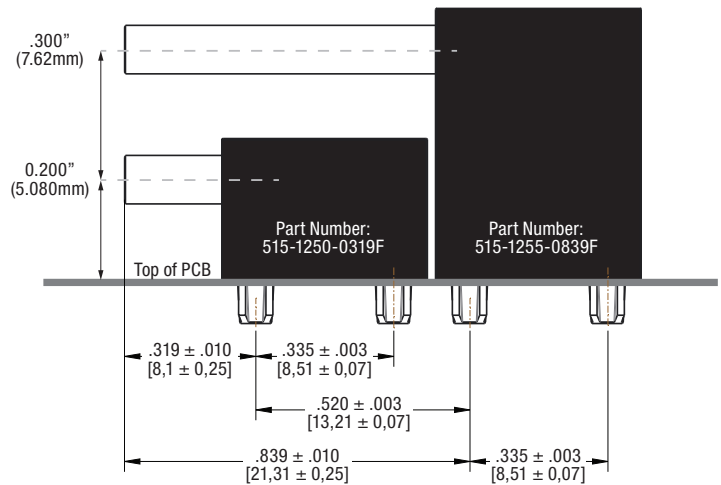
BI-LEVEL INDICATION OPTION



Bi-Level Indication Option
with 515-1254-0839F and 515-1250-0319F



Bi-Level Indication Option
515-1255-0839F and 515-1250-0319F



ORDERING INFORMATION

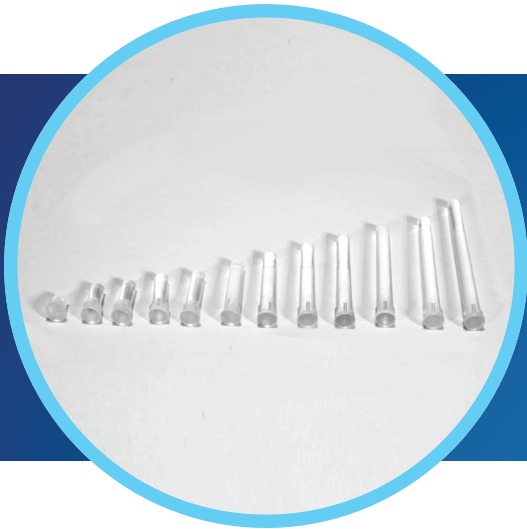
FLAT LENS

Part Number	Dim "A"	Dim "B"	Top of PCB to Centerline Light Pipe	Overall Height	Overall Length
515-1250-0319F	.319" (8.10mm)	.237" (6.01mm)	0.200" (5.080mm)	0.300" (7.62mm)	0.737" (18.72mm)
515-1250-0590F	.590" (15.00mm)	.508" (12.90mm)	0.200" (5.080mm)	0.300" (7.62mm)	1.008" (25.60mm)
515-1250-1181F	1.181" (30.00mm)	1.099" (27.91mm)	0.200" (5.080mm)	0.300" (7.62mm)	1.599" (40.615mm)
515-1250-1772F	1.772" (45.00mm)	1.690" (42.93mm)	0.200" (5.080mm)	0.300" (7.62mm)	2.190"(55.626mm)
515-1251-0319F	.319" (8.10mm)	.237" (6.01mm)	0.250" (6.35mm)	0.350" (8.89mm)	0.737" (18.72mm)
515-1251-0590F	.590" (15.00mm)	.508" (12.90mm)	0.250" (6.35mm)	0.350" (8.89mm)	1.008" (25.60mm)
515-1251-1181F	1.181" (30.00mm)	1.099" (27.91mm)	0.250" (6.35mm)	0.350" (8.89mm)	1.599" (40.615mm)
515-1251-1772F	1.772" (45.00mm)	1.690" (42.93mm)	0.250" (6.35mm)	0.350" (8.89mm)	2.190"(55.626mm)
515-1252-0319F	.319" (8.10mm)	.237" (6.01mm)	0.300" (7.62mm)	0.400" (10.16mm)	0.737" (18.72mm)
515-1252-0590F	.590" (15.00mm)	.508" (12.90mm)	0.300" (7.62mm)	0.400" (10.16mm)	1.008" (25.60mm)
515-1252-1181F	1.181" (30.00mm)	1.099" (27.91mm)	0.300" (7.62mm)	0.400" (10.16mm)	1.599" (40.615mm)
515-1252-1772F	1.772" (45.00mm)	1.690" (42.93mm)	0.300" (7.62mm)	0.400" (10.16mm)	2.190"(55.626mm)
515-1253-0319F	.319" (8.10mm)	.237" (6.01mm)	0.350" (8.89mm)	0.450" (11.43mm)	0.737" (18.72mm)
515-1253-0590F	.590" (15.00mm)	.508" (12.90mm)	0.350" (8.89mm)	0.450" (11.43mm)	1.008" (25.60mm)
515-1253-1181F	1.181" (30.00mm)	1.099" (27.91mm)	0.350" (8.89mm)	0.450" (11.43mm)	1.599" (40.615mm)
515-1253-1772F	1.772" (45.00mm)	1.690" (42.93mm)	0.350" (8.89mm)	0.450" (11.43mm)	2.190"(55.626mm)
515-1254-0319F	.319" (8.10mm)	.237" (6.01mm)	0.400" (10.16mm)	0.500" (12.70mm)	0.737" (18.72mm)
515-1254-0590F	.590" (15.00mm)	.508" (12.90mm)	0.400" (10.16mm)	0.500" (12.70mm)	1.008" (25.60mm)
515-1254-0839F	.839" (21.31mm)	.757" (19.23mm)	0.400" (10.16mm)	0.500" (12.70mm)	1.257" (31.93mm)
515-1254-1181F	1.181" (30.00mm)	1.099" (27.91mm)	0.400" (10.16mm)	0.500" (12.70mm)	1.599" (40.615mm)
515-1254-1772F	1.772" (45.00mm)	1.690" (42.93mm)	0.400" (10.16mm)	0.500" (12.70mm)	2.190"(55.626mm)
515-1255-0319F	.319" (8.10mm)	.237" (6.01mm)	0.500" (12.70mm)	0.600" (15.24mm)	0.737" (18.72mm)
515-1255-0590F	.590" (15.00mm)	.508" (12.90mm)	0.500" (12.70mm)	0.600" (15.24mm)	1.008" (25.60mm)
515-1255-0839F	.839" (21.31mm)	.757" (19.23mm)	0.500" (12.70mm)	0.600" (15.24mm)	1.257" (31.93mm)
515-1255-1181F	1.181" (30.00mm)	1.099" (27.91mm)	0.500" (12.70mm)	0.600" (15.24mm)	1.599" (40.615mm)
515-1255-1772F	1.772" (45.00mm)	1.690" (42.93mm)	0.500" (12.70mm)	0.600" (15.24mm)	2.190"(55.626mm)



Dialight reserves the right to make changes at any time in order to supply the best product possible. The most current version of this document will always be available at: www.dialightsignalsandcomponents.com

Warranty Statement: Except for the warranty expressly provided for at: www.dialight.com/resources/warranties/, Dialight disclaims any and all other warranties, express or implied, including, without limitation, any warranties of merchantability, fitness for a particular purpose, title, and noninfringement.



515 SERIES

**Vertical Panel Mount
OPTOPIPE® Light Pipes**

3mm Diameter Output

MECHANICAL / SPECIFICATIONS

MOUNTING HOLE SIZE:
.115" +.003", -.002"

MIN. PANEL THICKNESS:
.030" (.762 mm)

OPERATING TEMPERATURE:
-30 °C to +100 °C

STORAGE TEMPERATURE:
-30 °C to +100 °C

CERTIFICATIONS & RATINGS

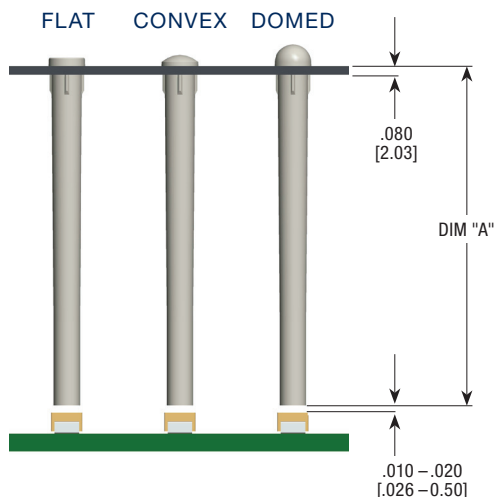
RoHS compliant

FEATURES & BENEFITS

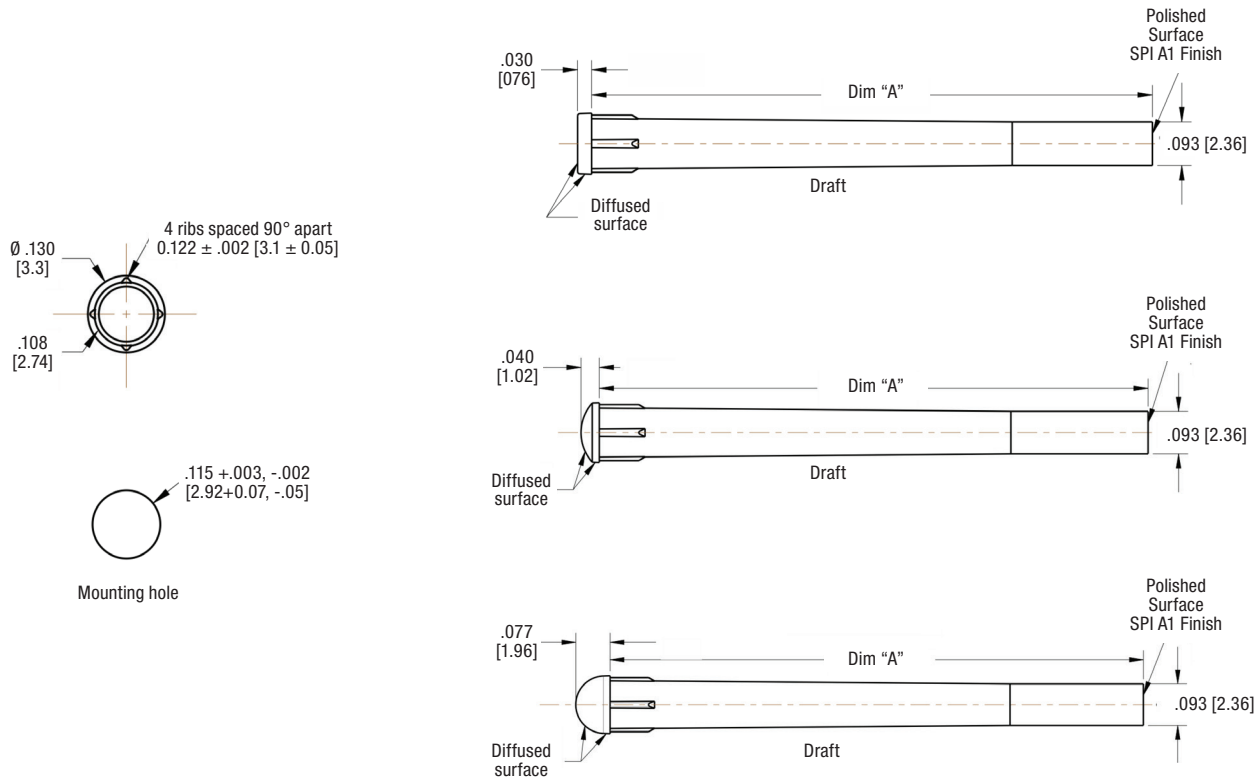
- Lengths varying from .125"-1.200"
Custom length available upon request
- Three lens styles for optimal viewing angles:
flat, convex and domed
- Designed for both single and multiple colored LEDs
- Precision molded from RoHS compliant UL94-V0, water clear polycarbonate with oxygen index of 35%
- Available in diffused textured lens only
- Optimally designed to be used with Dialight surface mount LEDs
- See [Dialight Surface Mount Selector Guide](#) for LED options
- Recommend PLCC-2 and PLCC-4, surface mount LEDs part number: 597-XXXX-207F

APPLICATION

Dialight OPTOPIPE® panel mount provide an excellent solution for products that contain a PCB that is parallel to the front panel in need of indication. The UL94-V0 water clear polycarbonate light pipes are secured to the front panel with a press fit that is easy to install. Dialight OPTOPIPE® solutions are a cost effective way of bringing indication to your front panel.



DIMENSIONS inches [mm]



ORDERING INFORMATION

Flat		Convex		Domed	
Part number	Dim "A"	Part number	Dim "A"	Part number	Dim "A"
515-1301-0125F	0.125 [3.20]	515-1302-0125F	0.125 [3.20]	515-1303-0125F	0.125 [3.20]
515-1301-0250F	0.250 [6.35]	515-1302-0215F	0.215 [5.46]	515-1303-0250F	0.250 [6.35]
515-1301-0300F	0.300 [7.62]	515-1302-0250F	0.250 [6.35]	515-1303-0300F	0.300 [7.62]
515-1301-0350F	0.350 [8.89]	515-1302-0350F	0.350 [8.89]	515-1303-0350F	0.350 [8.89]
515-1301-0400F	0.400 [10.16]	515-1302-0375F	0.375 [9.53]	515-1303-0400F	0.400 [10.16]
515-1301-0500F	0.500 [12.70]	515-1302-0500F	0.500 [12.70]	515-1303-0500F	0.500 [12.70]
515-1301-0600F	0.600 [15.24]	515-1302-0600F	0.600 [15.24]	515-1303-0600F	0.600 [15.24]
515-1301-0700F	0.700 [17.78]	515-1302-0700F	0.700 [17.78]	515-1303-0700F	0.700 [17.78]
515-1301-0750F	0.750 [19.05]	515-1302-0750F	0.750 [19.05]	515-1303-0750F	0.750 [19.05]
515-1301-0800F	0.800 [20.32]	515-1302-0800F	0.800 [20.32]	515-1303-0800F	0.800 [20.32]
515-1301-0900F	0.900 [22.86]	515-1302-0900F	0.900 [22.86]	515-1303-0900F	0.900 [22.86]
515-1301-1000F	1.000 [25.40]	515-1302-1000F	1.000 [25.40]	515-1303-1000F	1.000 [25.40]
515-1301-1200F	1.200 [30.48]	515-1302-1200F	1.200 [30.48]	515-1303-1200F	1.200 [30.48]



Dialight reserves the right to make changes at any time in order to supply the best product possible. The most current version of this document will always be available at: www.dialightsignalsandcomponents.com

Warranty Statement: Except for the warranty expressly provided for at: www.dialight.com/resources/warranties/, Dialight disclaims any and all other warranties, express or implied, including, without limitation, any warranties of merchantability, fitness for a particular purpose, title, and noninfringement.



515 SERIES

Reverse Mount OPTOPIPE® Light Pipes

3mm Diameter Output

MECHANICAL / SPECIFICATIONS

PANEL MOUNTING HOLE SIZE:
0.121" (3.07mm)

MIN. PANEL THICKNESS:
.040" (1.00mm)

OPERATING TEMPERATURE:
-40°C to +100°C

STORAGE TEMPERATURE:
-40°C to +100°C

CERTIFICATIONS & RATINGS

RoHS compliant

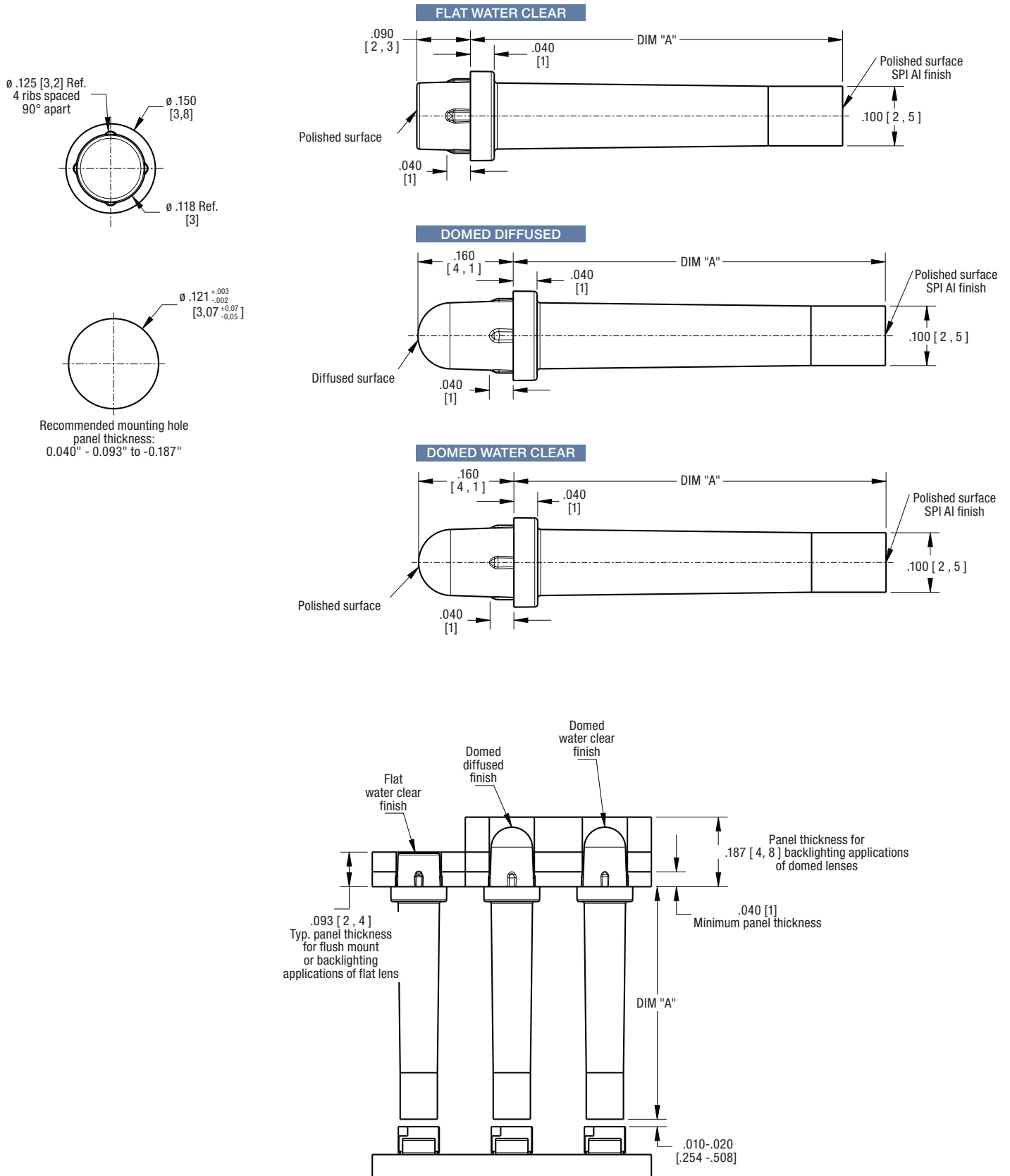
FEATURES & BENEFITS

- Available lengths from 0.100" (2.54mm) – 1.000" (25.4mm) (Customizable within the given length range)
- Flat and domed lenses for optimal viewing angle (with water clear or diffused lens finish)
- Press fit mount into 0.121" +0.003/-0.002 (3.07mm) panel mount hole
- Suggested drill size 3.1mm metric drill or #31 drill (0.120")
- Material: water-clear polycarbonate, RoHS compliant UL94-V0, UV stabilized, Halogen-free
- Designed for both single and multiple color surface mount LEDs
- Recommended PLCC-2 and PLCC-4, surface mount LEDs part number: 597-XXXX-207F as shown

APPLICATION

Dialight's 515 Reverse Mount OPTOPIPE® Light Pipe series offers press fit LP design from rear of panel when working inside of an enclosure with no access to the front of the enclosure. Variable length from .100" through 1.00" are available with domed or flat lens shapes for back lighting applications of a overlay/symbol or direct view with lens protruding through the front of panel. These light pipes are used in applications when PCB is always parallel to the panel you are planning to have visible indication on.

DIMENSIONS inches [mm]



ORDERING INFORMATION

Flat Water Clear

Part Number	Dim "A"
515-1304-0100F	0.100" (2.5mm)
515-1304-0125F	0.125" (3.2mm)
515-1304-0188F	0.188" (4.8mm)
515-1304-0250F	0.250" (6.4mm)
515-1304-0313F	0.313" (7.9mm)
515-1304-0350F	0.350" (8.9mm)
515-1304-0375F	0.375" (9.5mm)
515-1304-0500F	0.500" (12.7mm)
515-1304-0625F	0.625" (15.9mm)
515-1304-0750F	0.750" (19mm)
515-1304-0830F	0.830" (21.1mm)
515-1304-1000F	1.000" (25.4mm)

Domed Diffused

Part Number	Dim "A"
515-1305-0125F	0.125" (3.2mm)
515-1305-0250F	0.250" (6.4mm)
515-1305-0350F	0.350" (8.9mm)
515-1305-0375F	0.375" (9.5mm)
515-1305-0460F	0.460" (11.7mm)
515-1305-0500F	0.500" (12.7mm)
515-1305-0625F	0.625" (15.9mm)
515-1305-0750F	0.750" (19mm)
515-1305-1000F	1.000" (25.4mm)

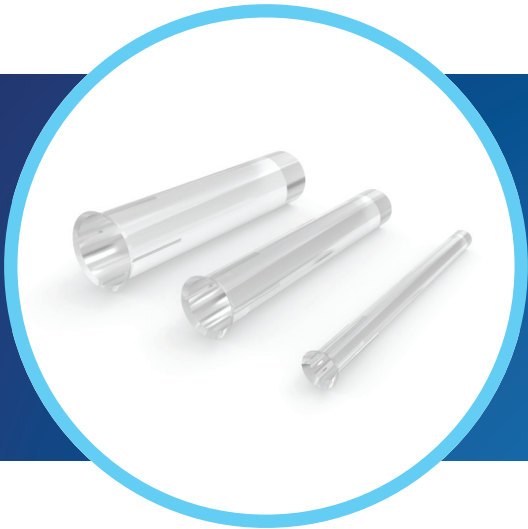
Domed Water Clear

Part Number	Dim "A"
515-1306-0125F	0.125" (3.2mm)
515-1306-0250F	0.250" (6.4mm)
515-1306-0350F	0.350" (8.9mm)
515-1306-0375F	0.375" (9.5mm)
515-1306-0460F	0.460" (11.7mm)
515-1306-0500F	0.500" (12.7mm)
515-1306-0625F	0.625" (15.9mm)
515-1306-0750F	0.750" (19mm)
515-1306-1000F	1.000" (25.4mm)



Dialight reserves the right to make changes at any time in order to supply the best product possible. The most current version of this document will always be available at: www.dialightsignalsandcomponents.com

Warranty Statement: Except for the warranty expressly provided for at: www.dialight.com/resources/warranties/, Dialight disclaims any and all other warranties, express or implied, including, without limitation, any warranties of merchantability, fitness for a particular purpose, title, and noninfringement.



515 SERIES

**Countersink
OPTOPIPE® Light Pipes**

1mm, 2mm and 3mm Diameter Output

MECHANICAL / SPECIFICATIONS

PANEL MOUNTING HOLE SIZE:
.040" (1.2mm), .079" (2.01mm),
.120" (3.05mm) ± .002" (0.05mm)

MIN. PANEL THICKNESS:
.050" ± .005" (1.27mm ± 0.12mm)

OPERATING TEMPERATURE:
-30°C to +100°C

STORAGE TEMPERATURE:
-30°C to +100°C

CERTIFICATIONS & RATINGS

RoHS compliant

SUGGESTED LEDS

1mm Light Pipes

SINGLE COLOR:
598-8AX0-107F, 598-8EX0-107F

BI-COLOR:
[597-7707-507F](#)

TRI-COLOR:
[597-7717-507F](#)

2mm and 3mm Light Pipes

SINGLE COLOR:
597-3XX1-207NF, 597-3XX1-607F,
598-8CX0-107F

BI-COLOR:
597-77X1-207F, [597-7752-007F](#)

TRI-COLOR:
[597-7714-007F](#)

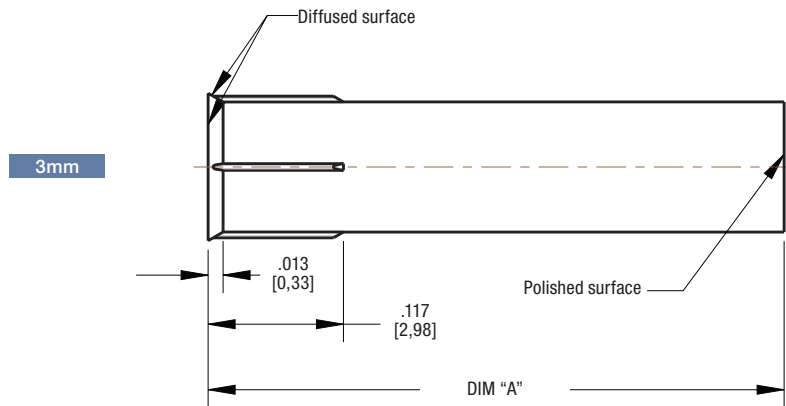
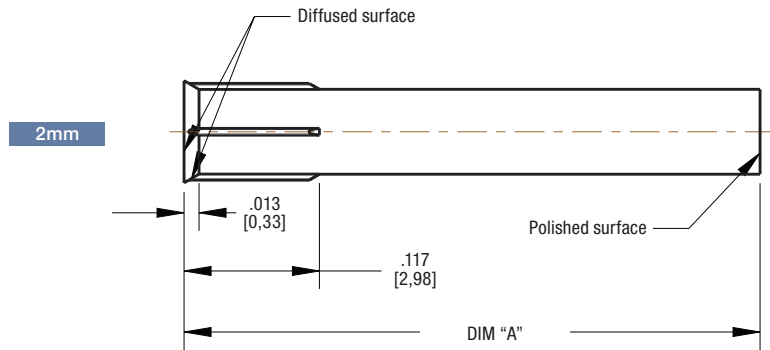
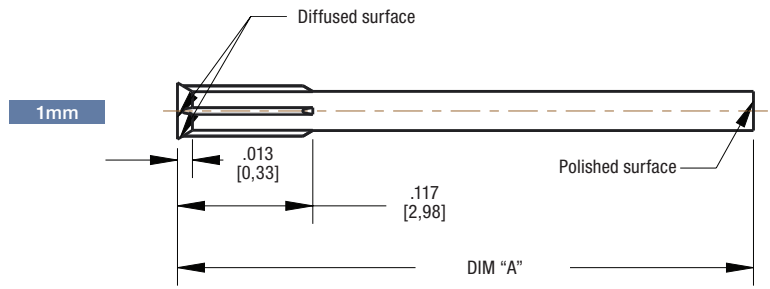
FEATURES & BENEFITS

- Flush panel mounting and smooth appearance
- Available in 1mm, 2mm, 3mm lens sizes.
- Diffused lens for optimal visibility.
- Standard lengths: .125 in. (3,2mm) to 1.200 in. (30,48mm).
- Crush-rib design offers secure and tight hold in the panel
- Material: water-clear polycarbonate, UL94-V0, UV stabilized, Halogen-free

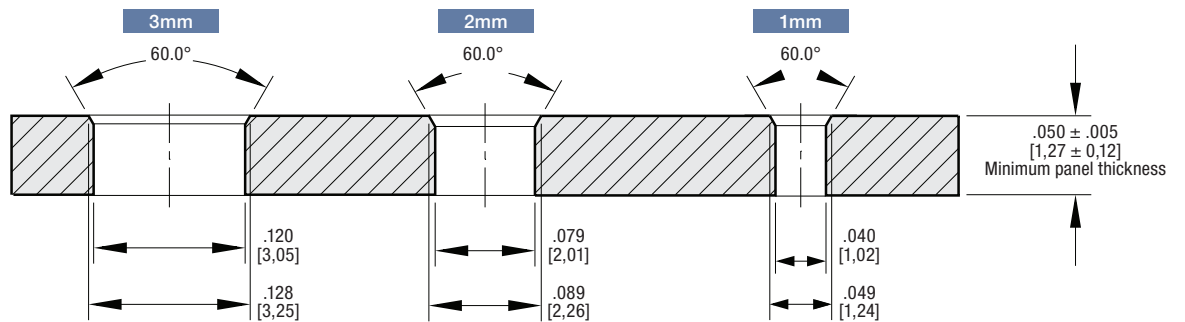
APPLICATION

Dialight's 515 Countersink OPTOPIPE® Light Pipe series offers an ideal solution for when an indicator cannot protrude from the panel due to safety reasons or esthetics. Perfect for backlighting of applications with overlays.

DIMENSIONS inches [mm]



MOUNTING HOLE DIMENSIONS inches [mm]



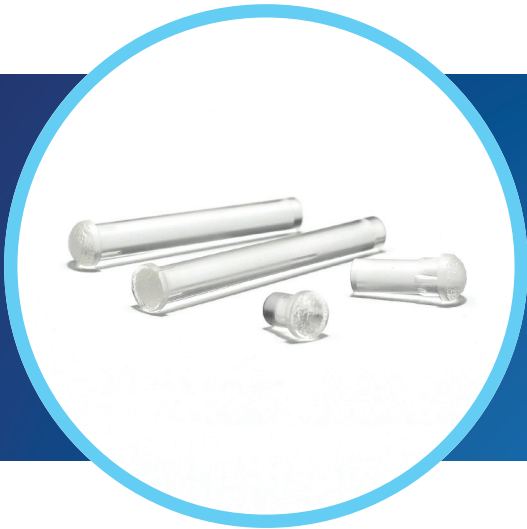
ORDERING INFORMATION

Part Number	Overall Length Dim "A"	Light Pipe Diameter	Overall Width Top Of Light Pipe
515-1311-0125F	.125" (3.20mm)	1mm	0.049" (1.24mm)
515-1311-0157F	.157" (4.00mm)	1mm	0.049" (1.24mm)
515-1311-0188F	.188" (4.77mm)	1mm	0.049" (1.24mm)
515-1311-0250F	.250" (6.35mm)	1mm	0.049" (1.24mm)
515-1311-0313F	.313" (7.95mm)	1mm	0.049" (1.24mm)
515-1311-0375F	.375" (9.53mm)	1mm	0.049" (1.24mm)
515-1311-0500F	.500" (12.70mm)	1mm	0.049" (1.24mm)
515-1312-0125F	.125" (3.20mm)	2mm	0.089" (2.26mm)
515-1312-0157F	.157" (4.00mm)	2mm	0.089" (2.26mm)
515-1312-0188F	.188" (4.77mm)	2mm	0.089" (2.26mm)
515-1312-0250F	.250" (6.35mm)	2mm	0.089" (2.26mm)
515-1312-0313F	.313" (7.95mm)	2mm	0.089" (2.26mm)
515-1312-0375F	.375" (9.53mm)	2mm	0.089" (2.26mm)
515-1312-0500F	.500" (12.70mm)	2mm	0.089" (2.26mm)
515-1313-0125F	.125" (3.20mm)	3mm	0.128" (3.25mm)
515-1313-0157F	.157" (4.00mm)	3mm	0.128" (3.25mm)
515-1313-0188F	.188" (4.77mm)	3mm	0.128" (3.25mm)
515-1313-0250F	.250" (6.35mm)	3mm	0.128" (3.25mm)
515-1313-0313F	.313" (7.95mm)	3mm	0.128" (3.25mm)
515-1313-0375F	.375" (9.53mm)	3mm	0.128" (3.25mm)
515-1313-0500F	.500" (12.70mm)	3mm	0.128" (3.25mm)
515-1313-0600F	.600" (15.24mm)	3mm	0.128" (3.25mm)
515-1313-0700F	.700" (17.78mm)	3mm	0.128" (3.25mm)
515-1313-0800F	.800" (20.32mm)	3mm	0.128" (3.25mm)
515-1313-0900F	.900" (22.86mm)	3mm	0.128" (3.25mm)
515-1313-1000F	1.000" (25.4mm)	3mm	0.128" (3.25mm)
515-1313-1100F	1.100" (27.9mm)	3mm	0.128" (3.25mm)
515-1313-1200F	1.200" (30.4mm)	3mm	0.128" (3.25mm)



Dialight reserves the right to make changes at any time in order to supply the best product possible. The most current version of this document will always be available at: www.dialightsignalsandcomponents.com

Warranty Statement: Except for the warranty expressly provided for at: www.dialight.com/resources/warranties/, Dialight disclaims any and all other warranties, express or implied, including, without limitation, any warranties of merchantability, fitness for a particular purpose, title, and noninfringement.



515 SERIES

Vertical Panel Mount OPTOPIPE® Light Pipes

5mm Diameter Output

MECHANICAL / SPECIFICATIONS

MOUNTING HOLE SIZE:
.156"± .002"

MIN. PANEL THICKNESS:
.040" (1 mm)

OPERATING TEMPERATURE:
-40°C to +100°C

STORAGE TEMPERATURE:
-40°C to +100°C

CERTIFICATIONS & RATINGS

RoHS compliant

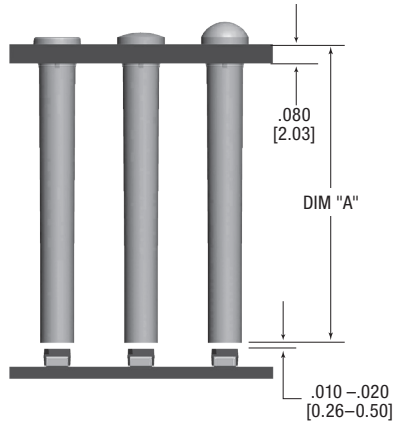
FEATURES & BENEFITS

- Lengths varying from .125"–1.500"
Custom length available upon request
- Three lens styles for optimal viewing angles:
flat, convex and domed
- Designed for both single and multiple colored LEDs
- Light is produced by surface mount LEDs through photonic emission, not as a by product of radiating heat source
- Low voltage and minimal power consumption
- Precision molded from RoHS compliant UL94-V0, water clear polycarbonate with oxygen index of 35%
- Available in diffused textured lens only
- Optimally designed to be used with Dialight surface mount LEDs
- See [Dialight Surface Mount Selector Guide](#) for LED options
- Recommend PLCC-2 and PLCC-4, surface mount LEDs part number: 597-xxxx-207F

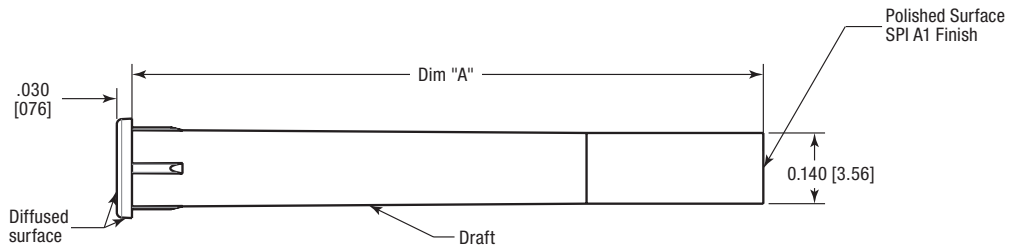
APPLICATION

Dialight OPTOPIPE® panel mount provide an excellent solution for products that contain a PCB that is parallel to the front panel in need of indication. The UL94-V0 water clear polycarbonate light pipes are secured to the front panel with a press fit that is easy to install. Dialight OPTOPIPE® solutions are a cost effective way of bringing indication to your front panel.

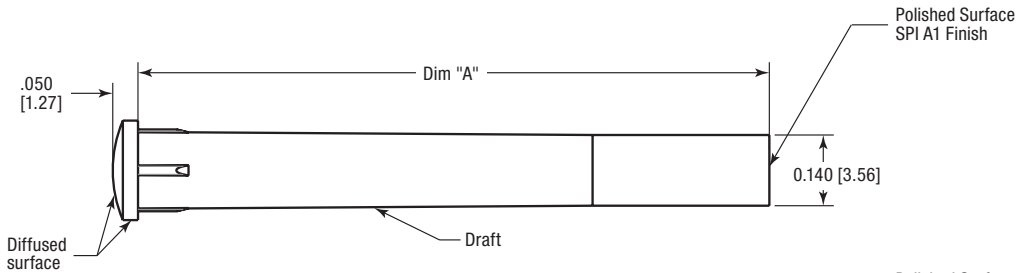
DIMENSIONS inches [mm]



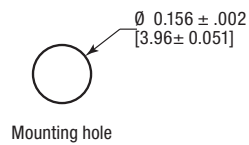
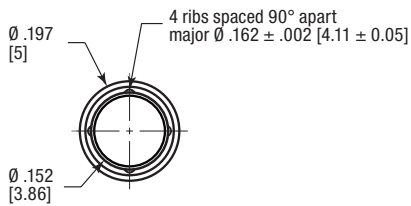
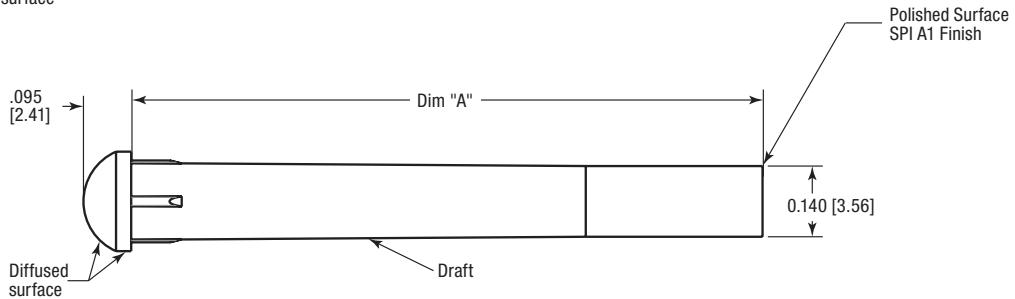
FLAT



CONVEX



DOMED



Standard tolerance of $\pm .005$ " [.127mm]
Standard tolerance applies unless otherwise specified

ORDERING INFORMATION

Flat

Part Number	Dim "A"
515-1351-0125F	0.125 [3.20]
515-1351-0188F	0.188 [4.77]
515-1351-0250F	0.250 [6.35]
515-1351-0350F	0.350 [8.89]
515-1351-0375F	0.375 [9.53]
515-1351-0500F	0.500 [12.70]
515-1351-0625F	0.625 [15.88]
515-1351-0750F	0.750 [19.05]
515-1351-0800F	0.800 [20.32]
515-1351-0900F	0.900 [22.86]
515-1351-1000F	1.000 [25.40]
515-1351-1250F	1.250 [31.75]
515-1351-1500F	1.500 [38.10]

Convex

Part Number	Dim "A"
515-1352-0125F	0.125 [3.20]
515-1352-0188F	0.188 [4.77]
515-1352-0250F	0.250 [6.35]
515-1352-0350F	0.350 [8.89]
515-1352-0375F	0.375 [9.53]
515-1352-0500F	0.500 [12.70]
515-1352-0625F	0.625 [15.88]
515-1352-0750F	0.750 [19.05]
515-1352-0800F	0.800 [20.32]
515-1352-0900F	0.900 [22.86]
515-1352-1000F	1.000 [25.40]
515-1352-1100F	1.100 [27.94]
515-1352-1250F	1.250 [31.75]
515-1352-1500F	1.500 [38.10]

Domed

Part Number	Dim "A"
515-1353-0125F	0.125 [3.20]
515-1353-0188F	0.188 [4.77]
515-1353-0250F	0.250 [6.35]
515-1353-0350F	0.350 [8.89]
515-1353-0375F	0.375 [9.53]
515-1353-0460F	0.460 [11.68]
515-1353-0500F	0.500 [12.70]
515-1353-0625F	0.625 [15.88]
515-1353-0700F	0.700 [17.78]
515-1353-0750F	0.750 [19.05]
515-1353-0800F	0.800 [20.32]
515-1353-0900F	0.900 [22.86]
515-1353-1000F	1.000 [25.40]
515-1353-1250F	1.250 [31.75]
515-1353-1500F	1.500 [38.10]



Dialight reserves the right to make changes at any time in order to supply the best product possible. The most current version of this document will always be available at: www.dialightsignalsandcomponents.com

Warranty Statement: Except for the warranty expressly provided for at: www.dialight.com/resources/warranties/, Dialight disclaims any and all other warranties, express or implied, including, without limitation, any warranties of merchantability, fitness for a particular purpose, title, and noninfringement.



515 SERIES

Right Angle Vertical Panel Mount OPTOPIPE® Light Pipes

5mm Diameter Output

MECHANICAL / SPECIFICATIONS

MOUNTING HOLE SIZE:
.156" ± .002" (3.96mm ± 0.05mm)

MIN. PANEL THICKNESS:
.063" (1.6mm)

OPERATING TEMPERATURE:
-40°C to +100°C

STORAGE TEMPERATURE:
-40°C to +100°C

CERTIFICATIONS & RATINGS

RoHS compliant

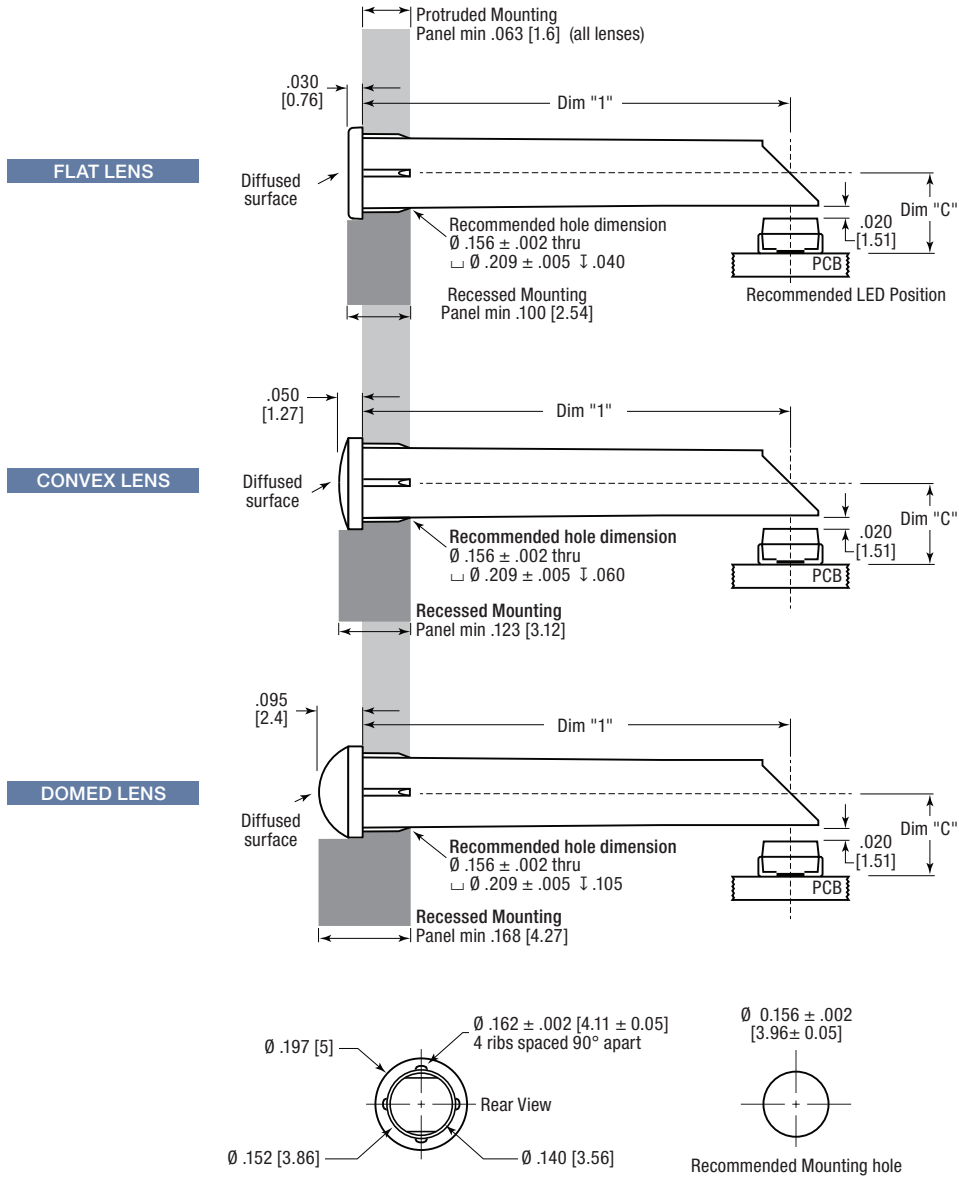
FEATURES & BENEFITS

- Lengths varying from .250"–1.500"
- Flat, convex and domed lens options with diffused textured finish
- Designed for both single and multiple colored LEDs
- Precision molded from ROHS compliant UL94-V0, water clear polycarbonate with oxygen index of 35%
- Halogen-free PC material
- Optimally designed to be used with Dialight surface mount LEDs; see [Surface Mount Selector Guide](#) for LED options
- Recommend PLCC-2 and PLCC-4, surface mount LEDs part # 597-xxxx-207F

APPLICATION

Dialight's Right Angle Vertical Panel Mount OPTOPIPE® Light Pipes provide an excellent solution for products that contain a PCB that is perpendicular to the front panel. The UL94-V0 water clear polycarbonate light pipes are secured to the front panel with a press fit that is easy to install. Dialight OPTOPIPE® Light Pipes are a cost effective way of bringing indication to your front panel.

DIMENSIONS inches [mm]



Standard tolerance of $\pm .005$ [127mm]
Standard tolerance applies unless otherwise specified

ORDERING INFORMATION

Flat

Part Number	Dim "1"	Dim "C"
515-1361-0250F	.190 [4.83]	.165 [4.19]
515-1361-0350F	.290 [7.37]	.165 [4.19]
515-1361-0375F	.315 [8.00]	.165 [4.19]
515-1361-0500F	.440 [11.18]	.165 [4.19]
515-1361-0625F	.565 [14.35]	.165 [4.19]
515-1361-0750F	.690 [17.53]	.165 [4.19]
515-1361-0800F	.740 [18.80]	.165 [4.19]
515-1361-0900F	.840 [21.34]	.165 [4.19]
515-1361-1050F	.990 [25.15]	.165 [4.19]
515-1361-1250F	1.19 [30.23]	.165 [4.19]
515-1361-1500F	1.44 [36.58]	.165 [4.19]

Convex

Part Number	Dim "1"	Dim "C"
515-1362-0250F	.190 [4.83]	.165 [4.19]
515-1362-0350F	.290 [7.37]	.165 [4.19]
515-1362-0375F	.315 [8.00]	.165 [4.19]
515-1362-0500F	.440 [11.18]	.165 [4.19]
515-1362-0625F	.565 [14.35]	.165 [4.19]
515-1362-0750F	.690 [17.53]	.165 [4.19]
515-1362-0800F	.740 [18.80]	.165 [4.19]
515-1362-0900F	.840 [21.34]	.165 [4.19]
515-1362-1050F	.990 [25.15]	.165 [4.19]
515-1362-1250F	1.19 [30.23]	.165 [4.19]
515-1362-1500F	1.44 [36.58]	.165 [4.19]

Domed

Part Number	Dim "1"	Dim "C"
515-1363-0250F	.190 [4.83]	.165 [4.19]
515-1363-0350F	.290 [7.37]	.165 [4.19]
515-1363-0375F	.315 [8.00]	.165 [4.19]
515-1363-0500F	.440 [11.18]	.165 [4.19]
515-1363-0625F	.565 [14.35]	.165 [4.19]
515-1363-0750F	.690 [17.53]	.165 [4.19]
515-1363-0800F	.740 [18.80]	.165 [4.19]
515-1363-0900F	.840 [21.34]	.165 [4.19]
515-1363-1050F	.990 [25.15]	.165 [4.19]
515-1363-1250F	1.19 [30.23]	.165 [4.19]
515-1363-1500F	1.44 [36.58]	.165 [4.19]



Dialight reserves the right to make changes at any time in order to supply the best product possible. The most current version of this document will always be available at: www.dialightsignalsandcomponents.com

Warranty Statement: Except for the warranty expressly provided for at: www.dialight.com/resources/warranties/, Dialight disclaims any and all other warranties, express or implied, including, without limitation, any warranties of merchantability, fitness for a particular purpose, title, and noninfringement.

Circuit Board Indicators

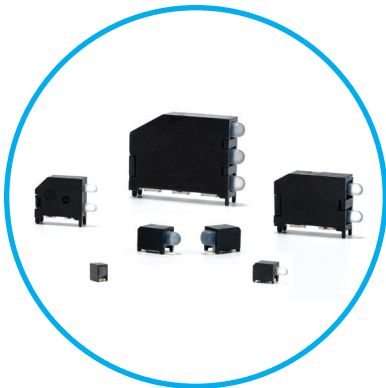


550, 551, 552, 553, 555, 561, 564, 566, 567, 568, 569, 570 AND 571 SERIES

CBI® Through Hole Discrete and housed LEDs

The widest variety of configurations including:

- Right angle, vertical and horizontal arrays in single, bi, tri and quad blocks
- 2mm, 3mm, 4mm, 5mm and rectangular LEDs
- Perfect for direct view or backlighting applications
- Single and bi-color, diffused, water-clear, tinted, super-bright and high efficiency
- Over 2500 variations, with custom LED placement available
- All visible colors of the spectrum available (from blue to red)



591, 592, 593, 594, 595 AND 596 SERIES

PRISM® Surface Mount LEDs Right Angle SMDs

- Fully SMD process compliant part (taped and reeled / pick and place / reflow oven compatible)
- 1.6mm, 2mm and 3mm LEDs
- Can withstand higher temp RoHS solder process and eliminates need for secondary optics or separate process
- Available in standard and low current versions
- Available with square or round lens
- Packaged in single, bi- and tri-level configurations



597, 598 AND 599 SERIES

microLED® Surface Mount LEDs

- Twenty plus different package sizes including: 0402, 0404, 0603, 0606, 0805, 1206, 1208, 1210, 1515, 2827, 3528, 4020, 5050, PLCC, Gullwing and 3735
- Single color, bi-color, tri-color in top, right angle, and reverse mount LED configurations
- Latest AlInGaP & InGaN technology
- Cost competitive pricing



515 SERIES

OPTOPIPE® Light Pipes for use with microLED® SMDs

- Light pipes act as a conduit for directing light from LED to front panel viewing
- For PCB and panel mount press-fit mounting
- Right angle and vertical versions available in more than 400 sizes and shapes
- Provides ESD protection, operating / storage temperature -30°C to +100°C
- Allows edge lighting around components such as SFP assemblies and RJ45 jacks
- UL 94V-0 Compliant

Panel Mount Indicators



585 AND 586

Based LED Bulbs

- Replaces traditional miniature incandescent bulbs with rugged long-lasting and energy-efficient LEDs
- Base styles including: T 1 3/4 Midget Flange, Wedge Base and Bi-Pin, T 3 1/4 Mini-Bayonet and Mini-Screw, T2 Telephone Slide and 15mm Bayonet
- Voltages from 6, 14 and 28 VDC, 6-36 VDC multi-voltage operation and 125 VAC with non-polarized versions available
- Colors include: red, green, yellow, blue and white while our 558, 559 and some 600 series use a snap-in plastic housing



249, 507, 556, 557, 558, 559, 605, 606, 607, 608, 609, 610, 612, 620, 621, 622, 623, 624, 625, 630, 653, 654, 655, 656 657, 658, 659, 675, 676, 677, 678, 679, 680 AND 682 SERIES

LED Panel Mount Indicators

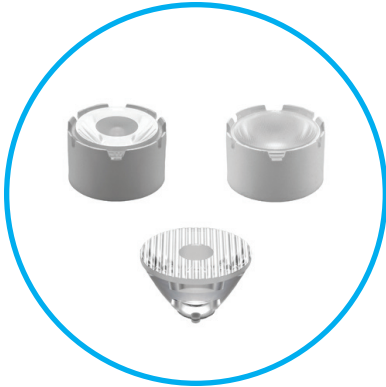
Plastic and metal housings

- Incorporating the latest LED technology in a tamper-proof metal housing enclosures
- Variety of mounting hole diameters from 0.156" (3.9mm) - 1.18" (30 mm)
- Operating voltages 2-72 VDC, 125 and 230 VAC
- Some feature a water-tight seal to NEMA 4X / IP66/67 and daylight viewability
- Available in: red, green, yellow, orange, blue, cyan and white
- 556 and 656 series are UL certified
- RoHS compliant, some with 6C exemptions
- All metal and some plastic housing use lock washer and nut for secure mounting while our 558, 559 and some 600 series use a snap-in plastic housing



Military And Relampable Panel Mount Indicators

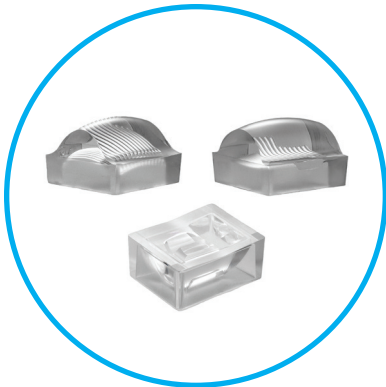
- Military - LH, LC and MS designations and QPL listed
- Incandescent or neon, designed to mount into 15/32", 11/16" and 1" clearance holes
- Feature water-tight and oil-tight, edge lighting, press-to-test, and dimmable semi or total blackout
- Consult Dialight's Military Cross Reference for specific part number
- Commercial - Incandescent or neon indicators UL recognized designed to mount into 15/32", 11/16" and 1" clearance holes
- Lenses are available in flat, dome, torpedo and faceted



OPT SERIES

TIR Optics

- High transmissivity
- UL rated optic material
- Optic only with tape or Optic pre-installed in housing with tape for mounting



OPT SERIES

Lens Optics

- High transmissivity
- UL rated optic material
- Lens includes locating pins for consistent alignment



OPT SERIES

Reflective Optics

- Only 11.5mm (0.453") maximum diameter
- Ideal for tightly spaced LED arrays
- Adhesive backing for easy installation. Adhesive rated from -40°C to +120°C (-40°F to +248°F)
- Automatic alignment feature
- Spot and wide versions available
- Universal version suites Cree XPC, XPE, XPG and standard Rebel LEDs



Dialight
Signals & Components

www.dialightsignalsandcomponents.com