

### Key Features & Benefits:

- Field Selectable Kelvin  
2700K–3000K–3500K–4000K–5000K
- Slim, No Driver Design
- Flicker Free
- Compatible with 3/0 & 4/0 J-Boxes
- Triac Dimmable (120V)
- Time Saving Four Port Connectors Included
- Indoor Surface Mount for Ceiling or Wall
- Closet Rated
  - Designed and Certified to Comply with NEC Code 410.16(A)(3) and NEC Code 410.16(C)(5) for Installation in Closet Storage Space
- 0.25" Foam Ring
  - 3x Thicker Than Competitors Products
  - Reduces Light Loss and Avoids Halo Glow
  - Prevents Insects and Contaminants

Project: \_\_\_\_\_

Date: \_\_\_\_\_

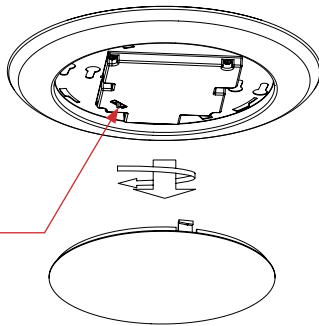
Catalog #: \_\_\_\_\_

Notes: \_\_\_\_\_



### Product Specifications:

Wattage: 10W  
 Selectable Kelvin:  
 2700K–3000K–3500K–4000K–5000K  
 Lumen Output: Up to 650  
 Efficacy (lm/W): Up to 65 Lumens per Watt  
 Input Voltage: 120 VAC  
 Input Current: 0.08 Amps  
 CRI: 90+  
 Operational Lifetime: 50,000 hrs  
 Dimensions (Ø x H): Ø5.98" x 0.95"  
 Product Weight: 4.66 oz



5 CCT Selectable Switch



### Ordering Guide:

ESL	TYPE	SIZE	WATTS	GENERATION	KELVIN	FINISH
ESL	DSK (DSK) Disk Light	4 (4) 4 Inch	10W (10W) 10 Watts	4 (4) 4th Generation	2750 (2750) 2700K–3000K– 3500K–4000K–5000K *Default setting is 3000K	(ff) (Blank) White (BZ) Bronze

### Catalog Data:

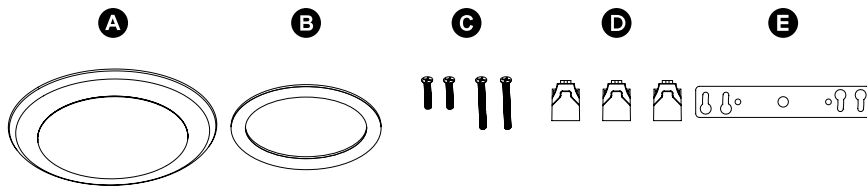
ITEM#	WATTS	SELECTABLE KELVIN	MAX LUMEN OUTPUT	EFFICACY (lm/W)	DIMENSIONS
ESL-DSK-4-10W-42750	10W	2700K	600	60	Ø5.98" x H 0.95"
		3000K	620	62	
		3500K	610	61	
		4000K	630	63	
		5000K	660	66	
ESL-DSK-4-10W-42750-BZ	10W	2700K	600	60	Ø5.98" x H 0.95"
		3000K	620	62	
		3500K	610	61	
		4000K	630	63	
		5000K	660	66	
ESL-DSK-6-15W-42750	15W	2700K	950	63	Ø7.32" x H 0.95"
		3000K	1050	70	
		3500K	950	63	
		4000K	1000	67	
		5000K	1100	73	
ESL-DSK-6-15W-42750-BZ	15W	2700K	950	63	Ø7.32" x H 0.95"
		3000K	1050	70	
		3500K	950	63	
		4000K	1000	67	
		5000K	1100	73	
ESL-DSK-6-15W-42750-CP24 <sup>†</sup>	15W	2700K	950	63	Ø7.32" x H 0.95"
		3000K	1050	70	
		3500K	950	63	
		4000K	1000	67	
		5000K	1100	73	

<sup>†</sup>Contractor Pack is only available in White and 6 inch size.

### Electrical Data:

SYSTEM WATTS	INPUT VOLTAGE	INPUT FREQUENCY	CRI	POWER FACTOR	OPERATING TEMPERATURE	DIMMING
10	120 VAC	50/60 Hz	90+	>0.9	-4°F to 104°F (-20°C to 40°C)	Triac Dimming 10-100%
15	120 VAC	50/60 Hz	90+	>0.9	-4°F to 104°F (-20°C to 40°C)	Triac Dimming 10-100%

### What's Included:



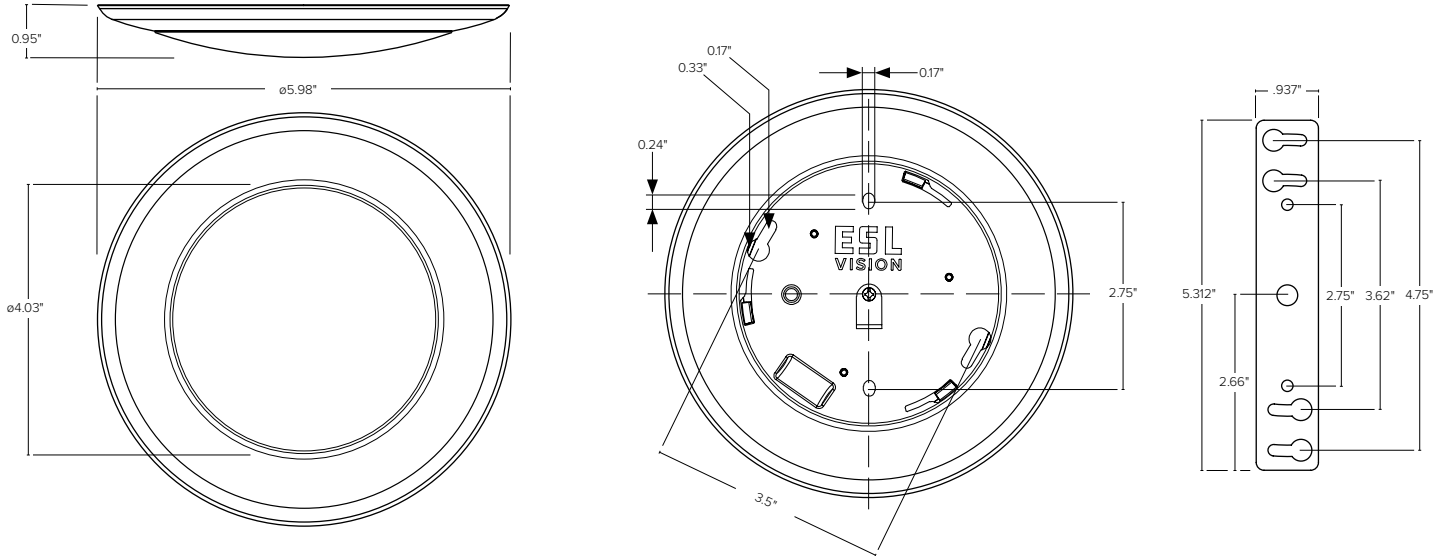
PART	DESCRIPTION	QUANTITY
A	4 or 6 Inch Disk Light	1
B	0.25" Foam Ring	1
C	Mounting Screws	4
D	4 Port Connectors	3

### Compatible Dimmers:

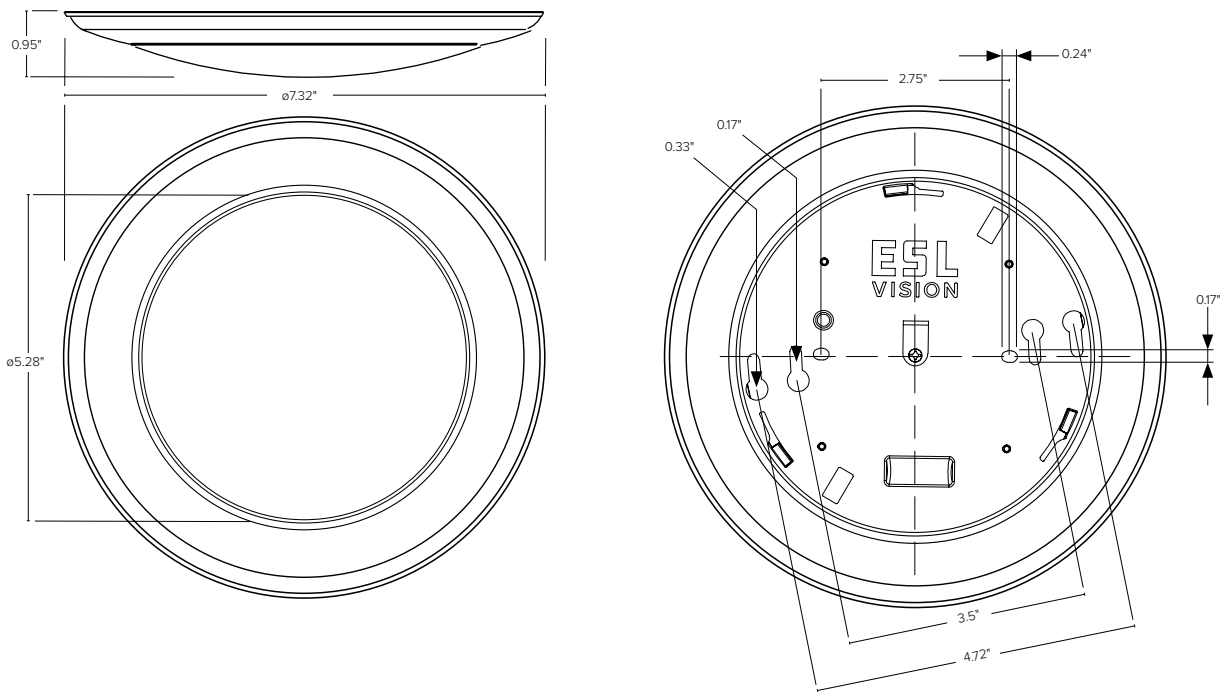
COMPATIBLE DIMMERS	
MACL-153MR-WH LUTRON	CL-6674 LEVITON
SCL-153P LUTRON	CL-6683 LEVITON
G-600PH-LA LUTRON	IPL06 LEVITON
DVCL-153P LUTRON	CL-6672 LEVITON
MACL-153ME LUTRON	153M-ES LEVITON
DV-600P LUTRON	

**Dimensions:**

4" Disk

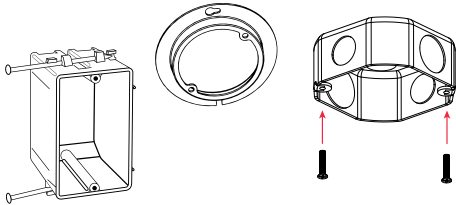


6" Disk

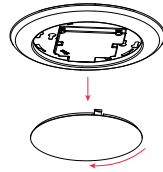


### Installation:

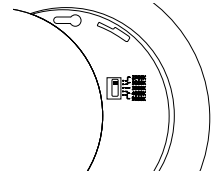
Suitable for Ceiling or Wall Mount



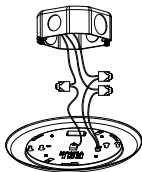
**1** Insert the included mounting screws into the junction box. Fixtures are compatible with single gang, 3.5" and 4" J boxes as well as single gang mud rings. The 4" fixture requires the included mounting bracket for 3.5" and 4" J boxes.



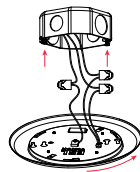
**2** Remove the lens from the fixture by twisting it counter clockwise.



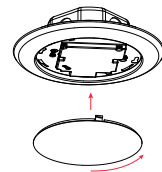
**3** Locate the CCT switch on the center of the disk and select your desired setting.



**4** Use included 4-port connectors to connect the wires. Ensure the copper ground is secure. Arrange the wires into the back of the junction box.



**5** Align the holes on the fixture with the mounting screws. Attach the fixture to the junction box by twisting clockwise until it locks into place.



**6** Reinstall the lens onto the fixture by rotating it clockwise until it locks in place.