



PANEL MOUNT INDICATOR

CATALOG

Table of contents

About Us	4
Product Overview.....	5

PANEL MOUNT INDICATORS

249 Series / Front or Rear Panel Mount Indicators	7
556 Series / Class 1, Division 2 Panel Mount Indicators	9
556 Series / Daylight Viewable Panel Mount Indicators	12
556 Series / Daylight Viewable Panel Mount Indicators / Constant Intensity, 18–48 V DC	14
556 Series / Standard Panel Mount Indicators.....	16
556 Series / Standard Panel Mount Indicators / Constant Intensity, 18–48 V DC	19
556 Series / UV Certified Indicators	21
557 Series / Daylight Viewable Panel Mount Indicators	23
558 Series / Snap-In LED / .156" (3.96 mm) Mounting Hole.....	25
559 Series / Rectangle Snap-In LED / 0.216 x 0.139" (5.49 x 3.53mm) Mounting Hole.....	27
559 Series / Snap-In LED / .250" (6.35 mm) Mounting Hole	29
605 Series / 5mm Panel Mount Indicators	32
606 Series / 6mm Panel Mount Indicators	34
606 Series / 6mm Expanded Temperature Range Panel Mount Indicators	36
607 Series / 7mm Panel Mount Indicators.....	38
608 Series / 8mm Panel Mount Indicators	41
609 Series / 9mm Panel Mount Indicators	43
612 Series / 12mm Panel Mount Indicators	45
620 Series / 8mm Heavy Duty Panel Mount Indicators.....	47
620 Series / 8mm Heavy Duty Bi- and Tri-Color Panel Mount Indicators.....	49
621 Series / 22mm Heavy Duty Tri-Color Panel Mount Indicators.....	51
622 Series / 22mm Heavy Duty Panel Mount Indicators.....	53
623 Series / 30mm Heavy Duty Panel Mount Indicators.....	55
624 Series / 12mm Heavy Duty Tri-Color Panel Mount Indicators.....	57
625 Series / 16mm Heavy Duty Tri-Color Panel Mount Indicators.....	59
630 Series / 30mm Panel Mount Indicators	61
653 Series / Snap-In Panel Mount Indicators.....	63
654 Series / Snap-In Panel Mount Indicators.....	65
655 Series / 1/2" Snap-In Panel Mount Indicators	67
656 Series / High Intensity LED Panel Mount Indicators.....	69
657 Series / Bi- and Tri-Color Watertight Series Panel Mount Indicators.....	73
657 Series / Watertight Series Panel Mount Indicators.....	75
657 Series / Watertight Right Angle Panel Mount Indicators	77
658 Series / Watertight Series Panel Mount Indicators.....	79
659 Series / Watertight Series Panel Mount Indicators.....	81
675 Series / 5mm High Intensity Panel Mount Indicators.....	83
676 Series / 6mm High Intensity Panel Mount Indicators.....	85
677 Series / 7mm High Intensity Panel Mount Indicators.....	87
678 Series / 8mm High Intensity Panel Mount Indicators	89
679 Series / 9mm High Intensity Panel Mount Indicators	91
682 Series / 12mm High Intensity Panel Mount Indicators.....	93

INDICATOR BASES

[271 Series / Indicator Base..... 95](#)
[359 Series / Indicator Base..... 97](#)
[362 Series / Indicator Base..... 100](#)
[367 Series / Indicator Base..... 102](#)
[373 Series / Indicator Base..... 104](#)
[377 Series / Indicator Base..... 107](#)
[378 Series / Indicator Base..... 109](#)

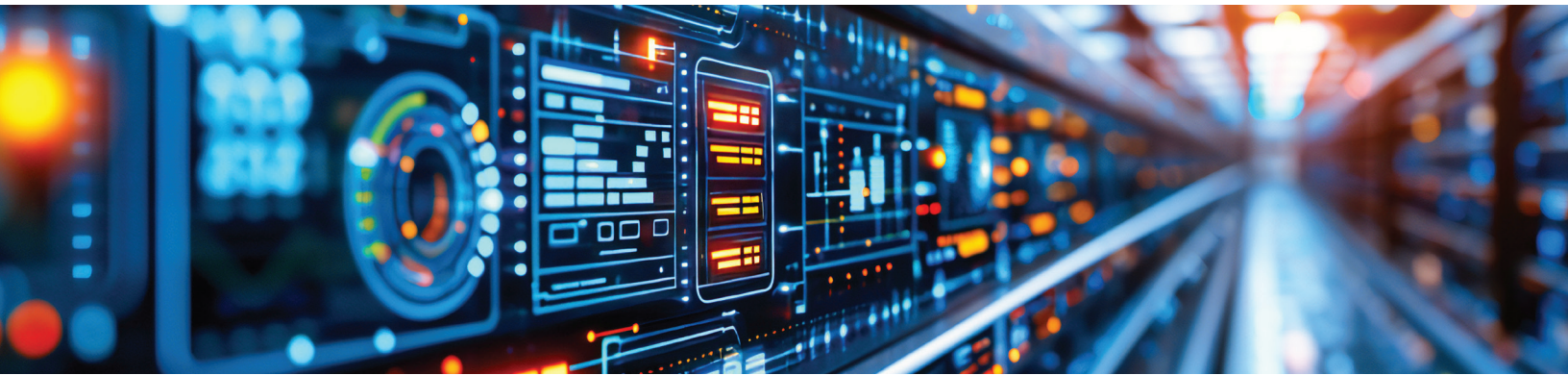
LENS CAPS

[081 Series / Jewel Lens Cap..... 111](#)

LED BULBS

[585 Series / Cluster Based LED / T3 1/4 Miniature Bayonet \(BA9s\)..... 113](#)
[585 Series / Multi-Chip Based LED / T1 3/4 Midget Flange..... 115](#)
[586 Series / Daylight Viewable Cluster Based LED / T3 1/4 Miniature Bayonet \(BA9s\)..... 117](#)
[586 Series / Multi-Chip Based LED / T3 1/4 Miniature Bayonet \(BA9s\)..... 119](#)
[586 Series / Single Chip Based LED / T1 3/4 Midget Flange 121](#)

[Military Cross-Reference 123](#)
[Certifications..... 125](#)
[Literature Library / Technical Information Center 126](#)
[OE Product Showcase 127](#)



About us

Dialight is a market leader within the LED indication and signals communities, with millions of products used in most markets throughout the world. Our story began in 1938 in Brooklyn, NY, producing panel indication components for military aircraft and industrial applications. In 1971, shortly following the inception of the LED, we launched our first LED component product. In 1995 came our introduction of the first LED vehicle light and traffic signals in North America, followed by the first ever hazardous location certified LED lighting system. We have continued to revolutionize the use of LEDs to provide superior indication products, vehicle lights, traffic signals as well as lighting for structural towers and industrial work sites around the world.

Dialight Signals & Components continues the development specifically in the area of optoelectronic components, traffic, vehicle and rail lighting products. We boast a first rate team of engineers with a knowledge base that provides the best in technology development and superior product functionality and durability. We remain the industry authority in LED board level through hole and surface mount indication, with an exceptional range of the revolutionary PRISM® SMDs and OPTOPIPE® Light Pipes. Having expanded LED technology into our legendary panel mount line and based LED bulbs, Dialight offers the widest range and most reliability of indicator products. It is our commitment to our customers to continue to provide these reliable, high quality LED products, with best in class service and support, for decades to come.

We see a world transformed to be safer, more productive, and environmentally friendly through the use of LEDs. With the most options and the highest quality, it's not just a light; it's a Dialight.





Discover Dialight's Industry-Leading LED Panel Mount Indicators

Dialight provides the widest selection of industry-leading LED panel mount indicators for any application or industry. Our indicators feature cutting-edge LED technology and are housed in rugged tamper-proof metal or plastic enclosures, ensuring unmatched durability and performance. Dialight's LED panel mount indicators deliver superior visibility and reliability, whether for industrial, commercial, or specialized applications.

Why Choose Dialight LED Panel Mount Indicators?

- **Industry-Leading LED Technology:** Incorporates the latest LED innovations for superior visibility and lifetime.
- **Unmatched Durability:** Our indicators are housed in rugged tamper-proof metal or plastic enclosures, built to last with precision and quality.
- **Versatile Mounting Options:** Available in a range of mounting hole sizes from 0.156" to 1.18" (3.9mm to 30mm), including secure snap-in plastic or lock washer and nut metal housings.
- **Wide Voltage Range:** Supports operating voltages from 2-72 VDC and 125 to 230 VAC. Additionally, our variable voltage options cover ranges as large as 6-60VDC, enabling SKU reduction by allowing you to stock one versatile part.
- **Durability and Resilience:** Select models are watertight to NEMA 4X/IP66/67 standards, daylight viewable, and have C1D2 ratings.
 - **Certification and Compliance:** UL certified 556 & 656 series; RoHS compliant.
- **Extensive Variety:** Includes multiple series (249, 507, 556-559, 605-612, 620-623, 630, 653-658, and 675-682) with various lens styles, colors, and terminations.

Typical Applications

- Medical
- Military/aviation
- Oil/gas/mining equipment
- Food processing
- Marine
- Wire and harness
- Power distribution
- Industrial control panels
- Test and measurement
- Traffic controls and rail applications
- Servers and storage
- Transportation
- Fan trays



Energy-Efficient Based LED Bulbs for All Applications

Dialight's Energy-Efficient Based LED Bulbs are designed as direct replacements for traditional incandescent bulbs, offering longer lifetime and energy savings. These bulbs come in a variety of form factors including pin-based, wedge base, bi-pin, bayonet, and telephone slide.

FEATURES AND BENEFITS:

- **Energy Efficiency:** Durable, long-lasting LEDs reduce energy consumption.
- **Versatile Base Styles:** Compatible with T 1 3/4 Midget Flange, Wedge Base, Bi-Pin, T 3 1/4 Mini-Bayonet, Mini-Screw, T2 Telephone Slide, and 15mm Bayonet fixtures.
- **Wide Voltage Range:** Operates at 6, 14, and 28 VDC with options for 6-36 VDC multi-voltage and 125 VAC non-polarized versions.
- **Color Options:** Available in red, green, yellow, blue, and white.

Military-Grade Relampable Indicators for Critical Environments

Dialight provides military-grade relampable indicators for mission-critical applications such as aircraft, ground vehicles, and shipboard systems. These indicators meet stringent military standards and offer features like press-to-test, dimmable lighting, and water-tight construction. As an approved manufacturer for the United States Military, we embody world-class manufacturing processes. The very same indicator lights that served the military back then are still in production today, ensuring an unmatched level of quality in today's fast-paced world.

FEATURES AND BENEFITS:

- **Military Grade:** Compliant with MIL-Spec and QPL listed, suitable for demanding environments.
- **Versatile Mounting:** Available in 15/32", 11/16", and 1" clearance holes with options for incandescent or neon lighting.
- **Durability and Functionality:** Features include water-tight and oil-tight construction, edge lighting, press-to-test, and dimmable semi or total blackout.
- **Commercial Options:** UL-recognized incandescent or neon indicators for various applications with a variety of lens styles.

Explore Dialight's comprehensive range of reliable and high-performance panel mount indicators and based LED bulbs, designed to enhance your systems' reliability, efficiency, and safety across all industries and applications.



249 SERIES Front or Rear Panel Mount Indicators

MECHANICAL / SPECIFICATIONS

MOUNTING HOLE SIZE:
0.375" (9.53 mm)

MAX PANEL THICKNESS:
0.312" (7.92 mm)

MOUNTING TORQUE:
8–10 in-lbs torque

VOLTAGE OPTIONS:
3.6, 5, 10, 14, and 28VDC
(no resistor required)

OPERATING TEMP:
-55 °C to +71 °C (-67 °F to +159.8 °F)

STORAGE TEMP:
-55 °C to +71 °C (-67 °F to +159.8 °F)

ELECTRICAL CONNECTION:
Turret terminals for wire wrapping

HOUSING:
Aluminum — Black Anodized

TERMINALS:
Phosphor Bronze — Fused Tin

KNURLED FLANGE NUT:
Aluminum — Black Anodized

LOCK WASHER:
Phosphor Bronze — White Nickel Plated

NUT:
Brass — White Nickel Plated

CERTIFICATIONS & RATINGS

RoHS compliant

FEATURES & BENEFITS

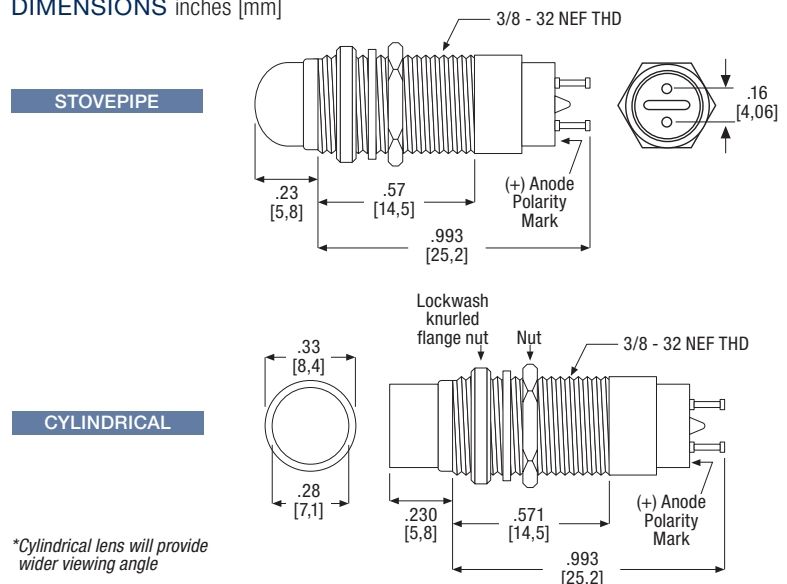
- For mounting in 3/8" clearance hole
- Complete package: light source, housing, and lens

APPLICATION

Dialight's 249 series LED panel mount indicator is available with a variety of LED's including AllnGap and InGan technology for high brightness applications. These indicators are designed for a variety of applications such as:

- Main and remote power indication
- Status indication
- Maintenance and warning indication
- Instrumentation
- Process control

DIMENSIONS inches [mm]



*Cylindrical lens will provide wider viewing angle

ORDERING INFORMATION

STOVEPIPE

Part Number	Color	Voltage (V DC)*	Current (mA)	Typical Intensity (mcd)
249-4162-3734-504F	Blue	3.5**	10	1500
249-7867-3731-504F	Red	3.6	20	170
249-7967-3732-504F	Green			100
249-8067-3733-504F	Yellow			150
249-4164-3734-504F	Blue			5
249-7868-3731-504F	Red	170		
249-7968-3732-504F	Green	100		
249-8068-3733-504F	Yellow	150		
249-4166-3734-504F	Blue	10	20	1500
249-7870-3731-504F	Red			170
249-7970-3732-504F	Green			100
249-8070-3733-504F	Yellow			150
249-4167-3734-504F	Blue	14	20	1500
249-7871-3731-504F	Red			170
249-7971-3732-504F	Green			100
249-8071-3733-504F	Yellow			150
249-4168-3734-504F	Blue	28	20	1500
249-7872-3731-504F	Red			170
249-7972-3732-504F	Green			100
249-8072-3733-504F	Yellow			150

CYLINDRICAL

Part Number	Color	Voltage (V DC)*	Current (mA)	Typical Intensity (mcd)
249-4162-3334-504F	Blue	3.5**	10	700
249-7867-3331-504F	Red	3.6	20	55
249-7967-3332-504F	Green			40
249-8067-3333-504F	Yellow			75
249-4164-3334-504F	Blue			5
249-7868-3331-504F	Red	55		
249-7968-3332-504F	Green	40		
249-8068-3333-504F	Yellow	75		
249-4166-3334-504F	Blue	10	20	700
249-7870-3331-504F	Red			55
249-7970-3332-504F	Green			40
249-8070-3333-504F	Yellow			75
249-4167-3334-504F	Blue	14	20	700
249-7871-3331-504F	Red			55
249-7971-3332-504F	Green			40
249-8071-3333-504F	Yellow			75
249-4168-3334-504F	Blue	28	20	700
249-7872-3331-504F	Red			55
249-7972-3332-504F	Green			40
249-8072-3333-504F	Yellow			75



Dialight reserves the right to make changes at any time in order to supply the best product possible. The most current version of this document will always be available at: www.dialightsignalsandcomponents.com

Warranty Statement: Except for the warranty expressly provided for at: www.dialight.com/resources/warranties/, Dialight disclaims any and all other warranties, express or implied, including, without limitation, any warranties of merchantability, fitness for a particular purpose, title, and noninfringement.



556 SERIES

**Class 1, Division 2
Panel Mount Indicators**

MECHANICAL / SPECIFICATIONS

MOUNTING HOLE SIZE:
1.0" (25.4 mm)

MAX PANEL THICKNESS:
Flat: 0.600" (15.24 mm)
Dome: 0.187" (4.27 mm)

MOUNTING TORQUE: 40 in-lbs

VOLTAGE OPTIONS:
12 to 125 VDC, 125, 230 VAC and
18-48 VDC Constant Intensity
No external resistor required

OPERATING TEMP:
-30 °C to +85 °C (-22 °F to +185 °F)

STORAGE TEMP:
-40 °C to +100 °C (-40 °F to +212 °F)

ELECTRICAL CONNECTION: 6-32 screw terminals

HOUSING: Brass – White or Black Nickel Plated

TERMINALS: Brass – Hot solder dip
per Mil-F-14072D, M258, Type II

LENS MATERIAL:
Transparent Polycarbonate (UL 94V-0)

LOCK WASHER: Phosphor Bronze –
White or Black Nickel Plated

NUT: Brass – White or Black Nickel Plated

CERTIFICATIONS & RATINGS

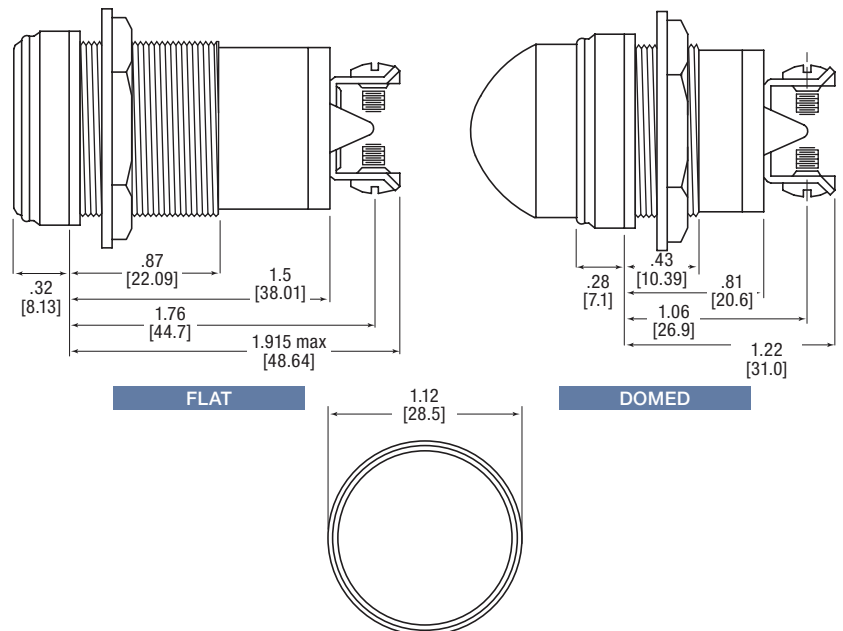
UL 508
IP66
NEMA 4X
RoHS Compliant w/6C exemption
IK07

APPLICATION

This is a highly durable package, designed to withstand outdoor applications susceptible to rain, dust and sunlight. In addition, the Class 1, Division 2 rating allows for use in hazardous environments common to the oil and gas, mining, and chemical industries:

- Instrument panels
- Safety applications
- UL 508 panel applications
- Petrochemical applications
- Environmental monitoring equipment specifications
- Pump system controllers
- Mining application
- Oil refineries
- Agricultural controls
- Power generators

DIMENSIONS inches [mm]



ORDERING INFORMATION

FLAT LENS

White Nickel	Black Nickel	Color	Voltage	Typ Current (mA)	Typical Intensity (mcd)
556-1003-324F	556-1003-224F	○ White	12 VDC	60	61,000
556-1503-324F	556-1503-224F	● Red		95	22,000
556-1603-324F	556-1603-224F	● Green		60	41,500
556-1683-324F	556-1683-224F	● Cyan		60	37,000
556-1703-324F	556-1703-224F	● Yellow		95	13,500
556-1803-324F	556-1803-224F	● Blue		60	13,000
556-1903-324F	556-1903-224F	● Orange		95	11,500
556-1004-324F	556-1004-224F	○ White	24 VDC	32	61,000
556-1504-324F	556-1504-224F	● Red		46	22,000
556-1604-324F	556-1604-224F	● Green		32	41,500
556-1684-324F	556-1684-224F	● Cyan		32	37,000
556-1704-324F	556-1704-224F	● Yellow		46	13,500
556-1804-324F	556-1804-224F	● Blue		32	13,000
556-1904-324F	556-1904-224F	● Orange		46	11,500
556-1508-324F	556-1508-224F	● Red	37.5 VDC	20	14,000
556-1608-324F	556-1608-224F	● Green		16	54,000
556-1708-324F	556-1708-224F	● Yellow		20	12,750
556-1006-324F	556-1006-224F	○ White	72 VDC	18.5	15,000
556-1506-324F	556-1506-224F	● Red		18.5	45,500
556-1606-324F	556-1606-224F	● Green		16	9,000
556-1706-324F	556-1706-224F	● Yellow		20	15,000
556-1806-324F	556-1806-224F	● Blue		18.5	36,000
556-1007-324F		○ White	125 VDC	10.5	8,000
556-1507-324F		● Red		10	27,000
556-1607-324F		● Green		10	5,750
556-1707-324F		● Yellow		10	35,000
556-1005-324F		○ White	125 VAC	11	8,000
556-1505-324F		● Red		10.5	29,000
556-1605-324F		● Green		9.5	24,750
556-1685-324F		● Cyan		9.5	5,750
556-1705-324F		● Yellow		10.5	7,750
556-1805-324F		● Blue		9.5	6,000
556-1905-324F		● Orange		10.5	35,000
556-1009-324F		○ White	230 VAC	6	8,000
556-1509-324F		● Red		7	29,000
556-1609-324F		● Green		7	5,750
556-1709-324F		● Yellow		7	7,750
556-1809-324F		● Blue		7	6,000
556-1909-324F		● Orange		7	3100

ORDERING INFORMATION

DOMED LENS

White Nickel	Black Nickel	Color	Voltage	Typ Current (mA)	Typical Intensity (mcd)
556-3003-324F	556-3003-224F	○ White	12 VDC	60	17,000
556-3503-324F	556-3503-224F	● Red		95	14,000
556-3603-324F	556-3603-224F	● Green		60	14,000
556-3683-324F	556-3683-224F	● Cyan		60	11,500
556-3703-324F	556-3703-224F	● Yellow		95	4,000
556-3803-324F	556-3803-224F	● Blue		60	12,000
556-3903-324F	556-3903-224F	● Orange		95	3,500
556-3004-324F	556-3004-224F	○ White	24 VDC	32	17,000
556-3504-324F	556-3504-224F	● Red		46	14,000
556-3604-324F	556-3604-224F	● Green		32	14,000
556-3684-324F	556-3684-224F	● Cyan		32	11,500
556-3704-324F	556-3704-224F	● Yellow		46	4,000
556-3804-324F	556-3804-224F	● Blue		32	12,000
556-3904-324F	556-3904-224F	● Orange		46	3,500
556-3508-324F	556-3508-224F	● Red	37.5 VDC	20	4,750
556-3608-324F	556-3608-224F	● Green		16	15,750
556-3708-324F	556-3708-224F	● Yellow		20	3,250
556-3006-324F	556-3006-224F	○ White	72 VDC	18.5	4,200
556-3506-324F	556-3506-224F	● Red		18.5	14,250
556-3606-324F	556-3606-224F	● Green		16	2,600
556-3706-324F	556-3706-224F	● Yellow		20	4,500
556-3806-324F	556-3806-224F	● Blue		18.5	10,250
556-3007-324F		○ White	125 VDC	10.5	2,500
556-3507-324F		● Red		10	8,250
556-3607-324F		● Green		10	1,500
556-3707-324F		● Yellow		10	10,250
556-3005-324F		○ White	125 VAC	11	2,500
556-3505-324F		● Red		10.5	9,500
556-3605-324F		● Green		9.5	6,500
556-3685-324F		● Cyan		9.5	1,750
556-3705-324F		● Yellow		10.5	3,000
556-3805-324F		● Blue		9.5	1,750
556-3905-324F		● Orange		10.5	10,250
556-3009-324F		○ White	230 VAC	6	2,500
556-3509-324F		● Red		7	9,500
556-3609-324F		● Green		7	1,750
556-3709-324F		● Yellow		7	3,000
556-3809-324F		● Blue		7	1,750
556-3909-324F		● Orange		7	3100



Dialight reserves the right to make changes at any time in order to supply the best product possible. The most current version of this document will always be available at: www.dialightsignalsandcomponents.com

Warranty Statement: Except for the warranty expressly provided for at: www.dialight.com/resources/warranties/, Dialight disclaims any and all other warranties, express or implied, including, without limitation, any warranties of merchantability, fitness for a particular purpose, title, and noninfringement.



556 SERIES Daylight Viewable Panel Mount Indicators

MECHANICAL / SPECIFICATIONS

MOUNTING HOLE SIZE:
1.0" (25.4 mm)

MAX PANEL THICKNESS:
0.600" (15.24 mm)

MOUNTING TORQUE: 40 in-lbs

VOLTAGE OPTIONS:
12 to 125VDC, and 125, 230VAC
(no resistor required)

OPERATING TEMP:
-30 °C to +85 °C (-22 °F to +185 °F)

STORAGE TEMP:
-40 °C to +100 °C (-40 °F to +212 °F)

ELECTRICAL CONNECTION:
6-32 screw terminals

HOUSING: Brass–
White or Black Nickel Plated

TERMINALS: Brass– Hot solder dip
per Mil-F-14072D, M258, Type II

LENS MATERIAL: Clear UV Stabilized
Polycarbonate (UL 94V-0)

LOCK WASHER: Phosphor Bronze–
White or Black Nickel Plated

NUT: Brass–White or Black Nickel Plated

CERTIFICATIONS & RATINGS

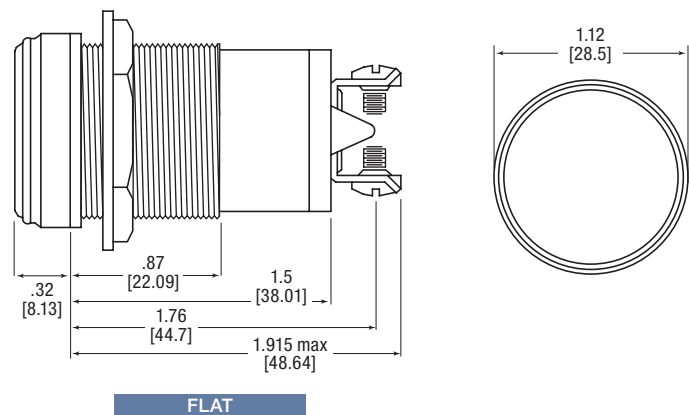
UL 508
IP66
NEMA 4X
RoHS Compliant w/6C exemption

APPLICATION

The 556 Series LED Panel Mount Indicators incorporate both InGaN and AlInGaP technologies to offer maximum light output. This is a highly durable package, designed to withstand outdoor applications susceptible to rain, dust and sunlight:

- Instrument panels
- Safety applications
- UL 508 panel applications
- Agricultural controls
- Power generators
- Environmental monitoring equipment
- Ground support vehicles
- Pump system controllers
- Transportation - rail, bus, airline
- Lane control
- Display lighting

DIMENSIONS inches [mm]



ORDERING INFORMATION

White Nickel	Black Nickel	Color	Voltage	Typ Current (mA)	Typ Intensity (mcd)
556-1503-314F	556-1503-214F	● Red	12 VDC	95	27,250
556-1603-314F	556-1603-214F	● Green		60	71,500
556-1683-314F	556-1683-214F	● Cyan		60	48,250
556-1703-314F	556-1703-214F	● Yellow		95	17,500
556-1803-314F	556-1803-214F	● Blue		60	24,000
556-1903-314F	556-1903-214F	● Orange		95	22,250
556-1504-314F	556-1504-214F	● Red		24 VDC	46
556-1604-314F	556-1604-214F	● Green	32		71,500
556-1684-314F	556-1684-214F	● Cyan	32		48,250
556-1704-314F	556-1704-214F	● Yellow	46		17,500
556-1804-314F	556-1804-214F	● Blue	32		24,000
556-1904-314F	556-1904-214F	● Orange	46		22,250
556-1508-314F	556-1508-214F	● Red	37.5 VDC		20
556-1608-314F	556-1608-214F	● Green		16	80,000
556-1708-314F	556-1708-214F	● Yellow		20	18,000
556-1506-314F	556-1506-214F	● Red	72 VDC	18.5	20,500
556-1606-314F	556-1606-214F	● Green		16	65,500
556-1706-314F	556-1706-214F	● Yellow		20	15,000
556-1507-314F		● Red	125 VDC		14,000
556-1607-314F		● Green		10	44,750
556-1707-314F		● Yellow			8,250
556-1505-314F		● Red	125 VAC	10.5	13,500
556-1605-314F		● Green		9.5	43,750
556-1685-314F		● Cyan		9.5	32,000
556-1705-314F		● Yellow		10.5	9,000
556-1805-314F		● Blue		9.5	16,000
556-1905-314F		● Orange		10.5	11,000
556-1509-314F		● Red		230 VAC	
556-1609-314F		● Green			43,750
556-1709-314F		● Yellow	7		9,000
556-1809-314F		● Blue			16,000
556-1909-314F		● Orange			11,000



Dialight reserves the right to make changes at any time in order to supply the best product possible. The most current version of this document will always be available at: www.dialightsignalsandcomponents.com

Warranty Statement: Except for the warranty expressly provided for at: www.dialight.com/resources/warranties/, Dialight disclaims any and all other warranties, express or implied, including, without limitation, any warranties of merchantability, fitness for a particular purpose, title, and noninfringement.



556 SERIES

**Daylight Viewable
Panel Mount Indicators**

Constant Intensity, 18–48VDC

MECHANICAL / SPECIFICATIONS

MOUNTING HOLE SIZE:
1.0" (25.4 mm)

MAX PANEL THICKNESS:
0.600" (15.24 mm)

MOUNTING TORQUE: 40 in-lbs

VOLTAGE OPTIONS:
18–48VDC
(internal resistor included)

OPERATING TEMP:
-30 °C to +85 °C (-22 °F to +185 °F)

STORAGE TEMP:
-40 °C to +100 °C (-40 °F to +212 °F)

ELECTRICAL CONNECTION:
6-32 screw terminals

HOUSING: Brass–
White or Black Nickel Plated

TERMINALS: Brass– Hot solder dip
per Mil-F-14072D, M258, Type II

LENS MATERIAL: Clear UV Stabilized
Polycarbonate (UL 94V-0)

LOCK WASHER: Phosphor Bronze–
White or Black Nickel Plated

NUT: Brass–White or Black Nickel Plated

CERTIFICATIONS & RATINGS

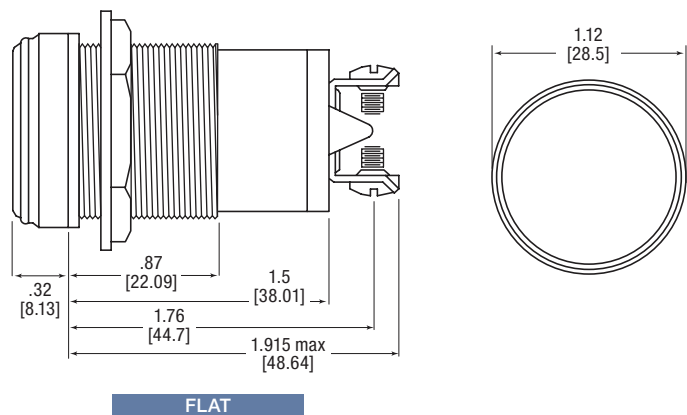
IP66
NEMA 4X
RoHS Compliant w/6C exemption

APPLICATION

The 556 Series LED Panel Mount Indicators incorporate both InGaN and AlInGaP technologies to offer maximum light output. This is a highly durable package, designed to withstand outdoor applications susceptible to rain, dust and sunlight:

- Instrument panels
- Safety applications
- UL 508 panel applications
- Agricultural controls
- Power generators
- Environmental monitoring equipment
- Ground support vehicles
- Pump system controllers
- Transportation - rail, bus, airline
- Lane control
- Display lighting

DIMENSIONS inches [mm]



ORDERING INFORMATION

White Nickel	Black Nickel	Color	Voltage (vdc)	Typ Current (mA)	Typical Intensity (mcd)
556-150A-314F	556-150A-214F	● Red	18–48	7.3–8.2	1470–1500
556-160A-314F	556-160A-214F	● Green		6.5–7.4	200–230
556-170A-314F	556-170A-214F	● Yellow		8.0–8.9	630–660



Dialight reserves the right to make changes at any time in order to supply the best product possible. The most current version of this document will always be available at: www.dialightsignalsandcomponents.com

Warranty Statement: Except for the warranty expressly provided for at: www.dialight.com/resources/warranties/, Dialight disclaims any and all other warranties, express or implied, including, without limitation, any warranties of merchantability, fitness for a particular purpose, title, and noninfringement.



556 SERIES Standard Panel Mount Indicators

MECHANICAL / SPECIFICATIONS

MOUNTING HOLE SIZE:
1.0" (25.4 mm)

MAX PANEL THICKNESS:
Flat: 0.600" (15.24 mm)
Dome: 0.187" (4.27 mm)

MOUNTING TORQUE: 40 in-lbs

VOLTAGE OPTIONS:
12 to 125VDC, and 125, 230VAC
(no resistor required)

OPERATING TEMP:
-30 °C to +85 °C (-22 °F to +185 °F)

STORAGE TEMP:
-40 °C to +100 °C (-40 °F to +212 °F)

ELECTRICAL CONNECTION:
6-32 screw terminals

HOUSING: Brass – White or Black Nickel Plated

TERMINALS: Brass – Hot solder dip
per Mil-F-14072D, M258, Type II

LENS MATERIAL:
Transparent Polycarbonate (UL 94V-0)

LOCK WASHER: Phosphor Bronze –
White or Black Nickel Plated

NUT: Brass – White or Black Nickel Plated

CERTIFICATIONS & RATINGS

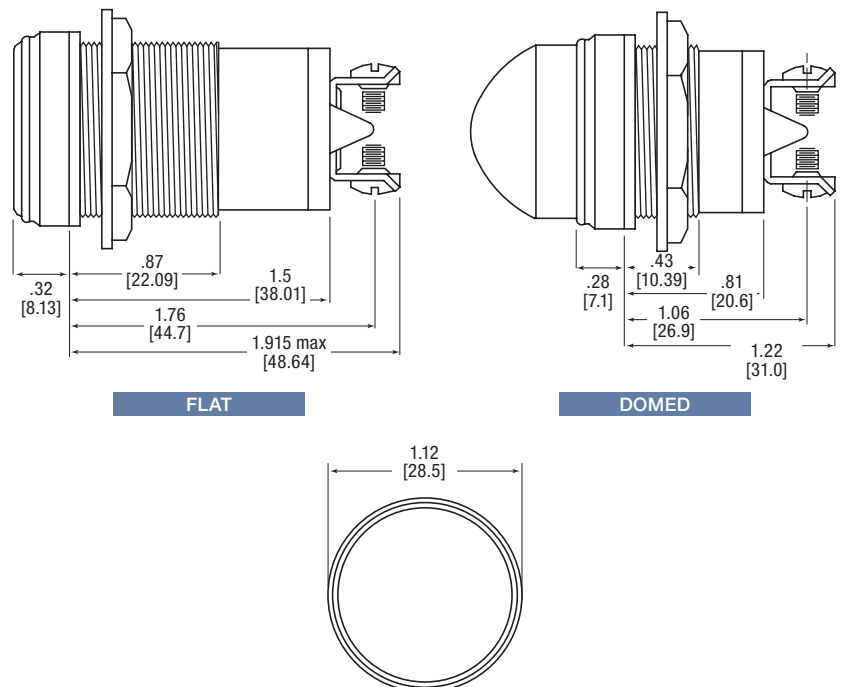
UL 508
IP66
NEMA 4X
RoHS Compliant w/6C exemption
IK07

APPLICATION

The 556 Series LED Panel Mount Indicators incorporate both InGaN and AlInGaP technologies to offer maximum light output. This is a highly durable package, designed to withstand outdoor applications susceptible to rain, dust and sunlight:

- Instrument panels
- Safety applications
- Transportation: rail, bus, airline
- Vending, gaming
- Lane control
- Display lighting

DIMENSIONS inches [mm]



ORDERING INFORMATION

FLAT LENS

White Nickel	Black Nickel	Color	Voltage (VDC)	Typ Current (mA)	Typical Intensity (mcd)
556-1003-304F	556-1003-204F	○ White	12	60	61,000
556-1503-304F	556-1503-204F	● Red		95	22,000
556-1603-304F	556-1603-204F	● Green		60	41,500
556-1683-304F	556-1683-204F	● Cyan		60	37,000
556-1703-304F	556-1703-204F	● Yellow		95	13,500
556-1803-304F	556-1803-204F	● Blue		60	13,000
556-1903-304F	556-1903-204F	● Orange		95	11,500
556-1004-304F	556-1004-204F	○ White		24	32
556-1504-304F	556-1504-204F	● Red	46		22,000
556-1604-304F	556-1604-204F	● Green	32		41,500
556-1684-304F	556-1684-204F	● Cyan	32		37,000
556-1704-304F	556-1704-204F	● Yellow	46		13,500
556-1804-304F	556-1804-204F	● Blue	32		13,000
556-1904-304F	556-1904-204F	● Orange	46		11,500
556-1508-304F	556-1508-204F	● Red	37.5		20
556-1608-304F	556-1608-204F	● Green		16	54,000
556-1708-304F	556-1708-204F	● Yellow		20	12,750
556-1506-304F	556-1506-204F	● Red	72	18.5	15,000
556-1606-304F	556-1606-204F	● Green		16	45,500
556-1706-304F	556-1706-204F	● Yellow		20	9,000
556-1806-304F	556-1806-204F	● Blue		18.5	15,000
556-1007-304F		○ White	125	10.5	36,000
556-1507-304F		● Red		10	8,000
556-1607-304F		● Green			27,000
556-1707-304F		● Yellow		5,750	
556-1005-304F		○ White	125	11	35,000
556-1505-304F		● Red		10.5	8,000
556-1605-304F		● Green		9.5	29,000
556-1685-304F		● Cyan		9.5	24,750
556-1705-304F		● Yellow		10.5	5,750
556-1805-304F		● Blue		9.5	7,750
556-1905-304F		● Orange		10.5	6,000
556-1009-304F		○ White		230	6
556-1509-304F		● Red	7		8,000
556-1609-304F		● Green			29,000
556-1709-304F		● Yellow			5,750
556-1809-304F		● Blue			7,750
556-1909-304F		● Orange			6,000

FLAT LENS, DIFFUSED

White Nickel	Black Nickel	Color	Voltage	Typ Current (mA)	Typical Intensity (mcd)
556-1813-304F		● Blue	12	60	13,000

ORDERING INFORMATION

DOMED LENS

White Nickel	Black Nickel	Color	Voltage (VDC)	Typ Current (mA)	Typical Intensity (mcd)
556-3003-304F	556-3003-204F	○ White	12	60	17,000
556-3503-304F	556-3503-204F	● Red		95	14,000
556-3603-304F	556-3603-204F	● Green		60	14,000
556-3683-304F	556-3683-204F	● Cyan		60	11,500
556-3703-304F	556-3703-204F	● Yellow		95	4,000
556-3803-304F	556-3803-204F	● Blue		60	12,000
556-3903-304F	556-3903-204F	● Orange		95	3,500
556-3004-304F	556-3004-204F	○ White	24	32	17,000
556-3504-304F	556-3504-204F	● Red		46	14,000
556-3604-304F	556-3604-204F	● Green		32	14,000
556-3684-304F	556-3684-204F	● Cyan		32	11,500
556-3704-304F	556-3704-204F	● Yellow		46	4,000
556-3804-304F	556-3804-204F	● Blue		32	12,000
556-3904-304F	556-3904-204F	● Orange		46	3,500
556-3508-304F	556-3508-204F	● Red	37.5	20	4,750
556-3608-304F	556-3608-204F	● Green		16	15,750
556-3708-304F	556-3708-204F	● Yellow		20	3,250
556-3506-304F	556-3506-204F	● Red	72	18.5	4,200
556-3606-304F	556-3606-204F	● Green		16	14,250
556-3706-304F	556-3706-204F	● Yellow		20	2,600
556-3806-304F	556-3806-204F	● Blue		18.5	4,500
556-3007-304F		○ White	125	10.5	10,250
556-3507-304F		● Red			2,500
556-3607-304F		● Green		10	8,250
556-3707-304F		● Yellow			1,500
556-3005-304F		○ White	125	11	10,250
556-3505-304F		● Red		10.5	2,500
556-3605-304F		● Green		9.5	9,500
556-3685-304F		● Cyan		9.5	6,500
556-3705-304F		● Yellow		10.5	1,750
556-3805-304F		● Blue		9.5	3,000
556-3905-304F		● Orange		10.5	1,750
556-3009-304F		○ White	230	6	10,250
556-3509-304F		● Red			2,500
556-3609-304F		● Green			9,500
556-3709-304F		● Yellow		7	1,750
556-3809-304F		● Blue			3,000
556-3909-304F		● Orange			1,750



Dialight reserves the right to make changes at any time in order to supply the best product possible. The most current version of this document will always be available at: www.dialightsignalsandcomponents.com

Warranty Statement: Except for the warranty expressly provided for at: www.dialight.com/resources/warranties/, Dialight disclaims any and all other warranties, express or implied, including, without limitation, any warranties of merchantability, fitness for a particular purpose, title, and noninfringement.



556 SERIES

Standard Panel Mount Indicators

Constant Intensity, 18–48VDC

MECHANICAL / SPECIFICATIONS

- MOUNTING HOLE SIZE:
1.0" (25.4 mm)
- MAX PANEL THICKNESS:
Flat: 0.600" (15.24 mm)
Dome: 0.187" (4.27 mm)
- MOUNTING TORQUE: 40 in-lbs
- VOLTAGE OPTIONS: 18–48VDC
(internal resistor included)
- OPERATING TEMP:
-30 °C to +85 °C (-22 °F to +185 °F)
- STORAGE TEMP:
-40 °C to +100 °C (-40 °F to +212 °F)
- ELECTRICAL CONNECTION:
6-32 screw terminals
- HOUSING: Brass–
White or Black Nickel Plated
- TERMINALS: Brass – Hot solder dip
per Mil-F-14072D, M258, Type II
- LENS MATERIAL: Transparent
Polycarbonate (UL 94V-0)
- LOCK WASHER: Phosphor Bronze–
White or Black Nickel Plated
- NUT: Phosphor Bronze–
White or Black Nickel Plated

CERTIFICATIONS & RATINGS

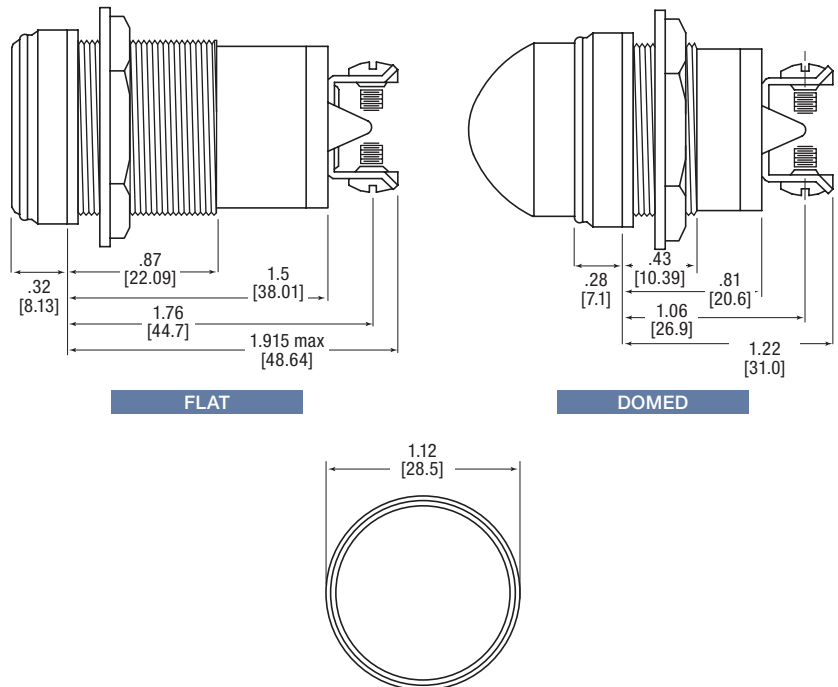
- IP66
- NEMA 4X
- RoHS Compliant w/6C exemption
- IK07

APPLICATION

The 556 Series LED Panel Mount Indicators incorporate both InGaN and AlInGaP technologies to offer maximum light output. This is a highly durable package, designed to withstand outdoor applications susceptible to rain, dust and sunlight:

- Instrument panels
- Safety applications
- Transportation: rail, bus, airline
- Vending, gaming
- Lane control
- Display lighting

DIMENSIONS inches [mm]



ORDERING INFORMATION

FLAT LENS		DOMED LENS		Color	Voltage (vdc)	Typ Current (mA)	Typical Intensity (mcd)
White Nickel Plating	Black Nickel Plating	White Nickel Plating	Black Nickel Plating				
556-150A-304F	556-150A-204F	556-350A-304F	556-350A-204F	● Red	18–48	7.3–8.2	1470–1500
556-160A-304F	556-160A-204F	556-360A-304F	556-360A-204F	● Green		6.5–7.4	200–230
556-170A-304F	556-170A-204F	556-370A-304F	556-370A-204F	● Yellow		8.0–8.9	630–660



Dialight reserves the right to make changes at any time in order to supply the best product possible. The most current version of this document will always be available at: www.dialightsignalsandcomponents.com

Warranty Statement: Except for the warranty expressly provided for at: www.dialight.com/resources/warranties/, Dialight disclaims any and all other warranties, express or implied, including, without limitation, any warranties of merchantability, fitness for a particular purpose, title, and noninfringement.



556 SERIES UV Certified Indicators

MECHANICAL / SPECIFICATIONS

MOUNTING HOLE SIZE:
1.0" (25.4 mm)

MAX PANEL THICKNESS:
Flat: 0.600" (15.24 mm)

MOUNTING TORQUE: 40 in-lbs

VOLTAGE OPTIONS: 24 V DC

OPERATING TEMP:
-40 °C to +100 °C (-22 °F to +185 °F)

STORAGE TEMP:
-40 °C to +100 °C (-40 °F to +212 °F)

ELECTRICAL CONNECTION:
8"-18" AWG wire

HOUSING: Brass — White

LENS MATERIAL: Glass

LOCK WASHER: Phosphor Bronze – White

NUT: Brass—White

CERTIFICATIONS & RATINGS

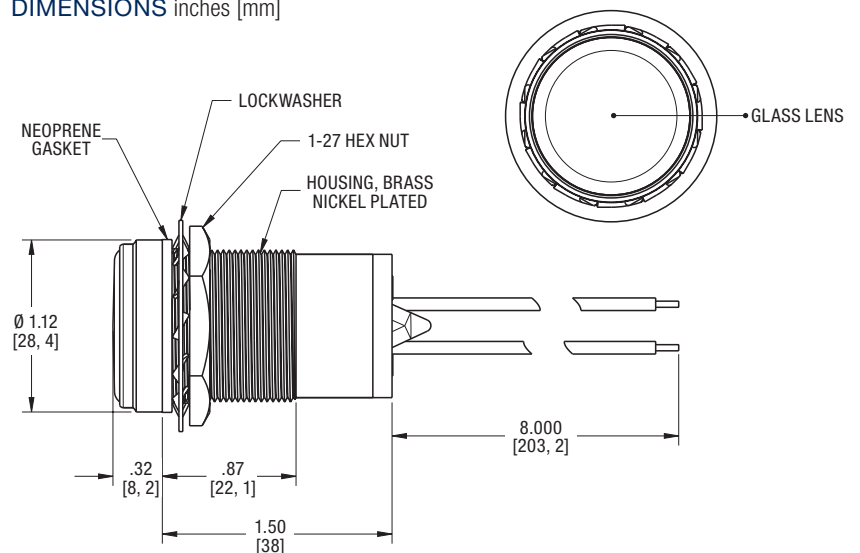
IP66
NEMA 4X
RoHS Compliant w/ 6C exemption

APPLICATION

The 556 Series LED Panel Mount Indicators incorporate both InGaN and AlInGaP technologies to offer maximum light output. This is a highly durable package, designed to withstand outdoor applications susceptible to rain, dust and sunlight:

- Instrument panels
- Safety applications
- Transportation: rail, bus, airline
- Vending, gaming
- Lane control
- Display lighting

DIMENSIONS inches [mm]



ORDERING INFORMATION

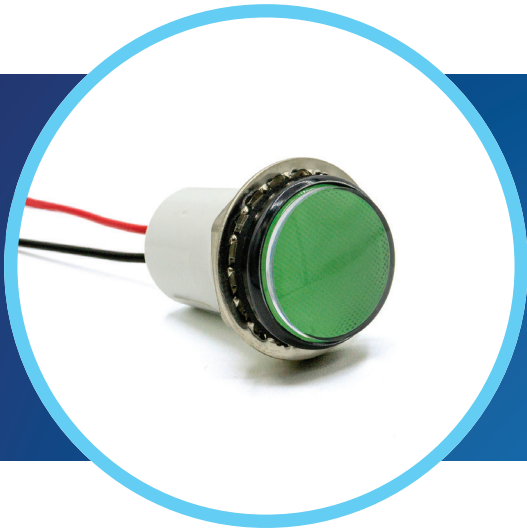
FLAT LENS

White Nickel	Color	Voltage	Typ Current (mA)	Typical Intensity (mcd)
556-10B4-304F	○ White	24 VDC	32	61,000
556-15B4-304F	● Red		46	22,000
556-16B4-304F	● Green		32	41,500
556-17B4-304F	● Yellow		46	13,500
556-18B4-304F	● Blue		32	13,000



Dialight reserves the right to make changes at any time in order to supply the best product possible. The most current version of this document will always be available at: www.dialightsignalsandcomponents.com

Warranty Statement: Except for the warranty expressly provided for at: www.dialight.com/resources/warranties/, Dialight disclaims any and all other warranties, express or implied, including, without limitation, any warranties of merchantability, fitness for a particular purpose, title, and noninfringement.



557 SERIES

**Daylight Viewable
Panel Mount Indicators**

MECHANICAL / SPECIFICATIONS

- MOUNTING HOLE SIZE:
0.687" (17.46 mm)
- MAX PANEL THICKNESS:
0.156" (3.96 mm)
- MOUNTING TORQUE:
15 in-lbs torque
- VOLTAGE OPTIONS:
5, 12, 24, and 28VDC (bi-color: 5VDC)
- OPERATING TEMP:
-25 °C to +85 °C
(Bi-color: -30 °C to +80 °C)
- STORAGE TEMP:
-30 °C to +100 °C
(bi-color: -40 °C to +85 °C)
- ELECTRICAL CONNECTION:
24 AWG Wire Leads
- HOUSING:
White Polycarbonate
- LENS MATERIAL:
Transparent Polycarbonate (UL 94V-0)
- WIRE LEADS: 5.5"
- LOCK WASHER:
Phosphor Bronze—White Nickel Plated
- NUT:
Brass—White Nickel Plated

CERTIFICATIONS & RATINGS

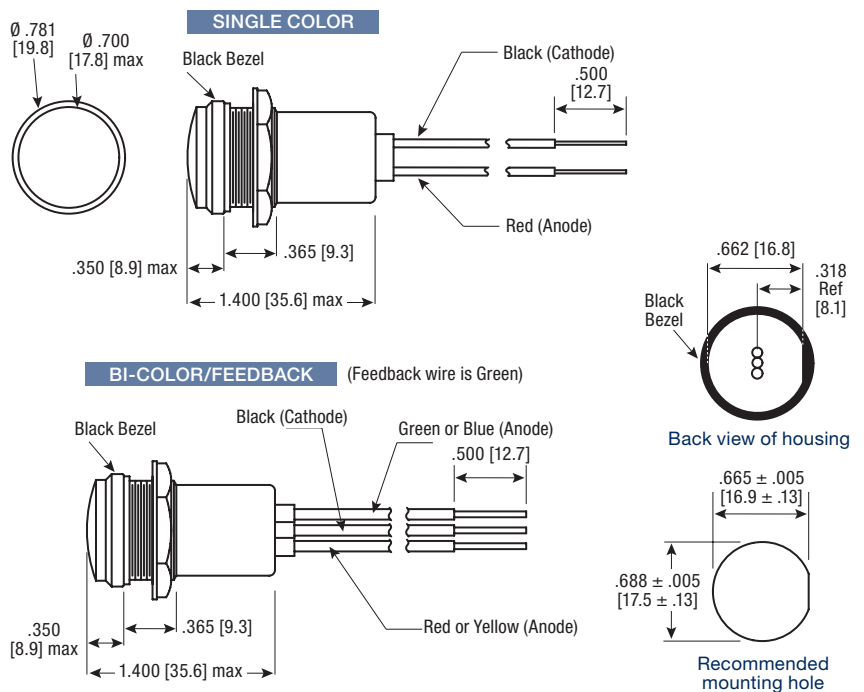
- RoHS Compliant
- Watertight to Mil-L-3661B spec

APPLICATION

The 557 Series LED Panel Mount Indicators incorporate both InGaN and AlInGaP technologies to offer higher intensities. This is a highly durable package, designed to withstand outdoor applications susceptible to rain, dust, and sunlight.

- Instrument panels
- Vending, gaming
- Safety applications
- Lane control
- Transportation—rail, bus, airline

DIMENSIONS inches [mm]



ORDERING INFORMATION

Part Number	Color	Voltage (VDC)	Current (mA)	Typical Intensity (mcd)
557-1002-203F	○ White	5	16	5350
557-1502-203F	● Red		80	800
557-1602-203F	● Green		16	4900
557-1702-203F	● Yellow		80	1550
557-1802-203F	● Blue		16	1200
557-1412-203F	●● Red / Green		70 / 16	720 / 1800
557-1422-203F	●● Red / Blue		70 / 16	625 / 425
557-1432-203F	●● Yellow / Green		70 / 16	585 / 1700
557-1442-203F	●● Yellow / Blue		70 / 16	635 / 445
557-1452-203F	●● Yellow / Red		70 / 20	650 / 350
557-1003-203F	○ White	12	16	5350
557-1503-203F	● Red		20	800
557-1603-203F	● Green		16	4900
557-1703-203F	● Yellow		20	1550
557-1803-203F	● Blue		16	1200
557-1005-203F	○ White	24	16	5350
557-1505-203F	● Red		20	800
557-1605-203F	● Green		16	4900
557-1705-203F	● Yellow		20	1550
557-1805-203F	● Blue		16	1200
557-1604-203F	● Green	28	16	4900
557-1704-203F	● Yellow		20	1550
557-1804-203F	● Blue		16	1200

FEEDBACK CIRCUIT

557-1693-203F	● Green	12	16	4900
-------------------------------	---------	----	----	------

FEEDBACK CIRCUIT SHOWS THE STATUS OF THE LED

LED Status	Signal Voltage
Normal	0-1
Open	10-12
Short	10-12



Dialight reserves the right to make changes at any time in order to supply the best product possible. The most current version of this document will always be available at: www.dialightsignalsandcomponents.com

Warranty Statement: Except for the warranty expressly provided for at: www.dialight.com/resources/warranties/, Dialight disclaims any and all other warranties, express or implied, including, without limitation, any warranties of merchantability, fitness for a particular purpose, title, and noninfringement.



558 SERIES Snap-In LED

.156" (3.96 mm) Mounting Hole

MECHANICAL / SPECIFICATIONS

MOUNTING HOLE SIZE:
0.155–0.158" (3.94–4.01 mm)

MAX PANEL THICKNESS:
0.031–0.062" (.787–1.57 mm)

MOUNTING TORQUE: N / A

VOLTAGE OPTIONS:
1.8–3.3VDC typical,
5VDC typical (resistor included)

OPERATING TEMP: See table

STORAGE TEMP:
-55 °C to +100 °C (-67 °F to +212 °F)

ELECTRICAL CONNECTION:
Straight terminals for wire wrapping
or 26 AWG lead wire

HOUSING:
Valox UL94V-0
and enhances LED contrast

CONNECTORS:
Available upon request

POSSIBLE CONNECTORS:
Samtec IPD1-05-S-K

TERMINALS:
Available upon request

POSSIBLE TERMINALS:
Samtec CC79L-2630-01-S;
AMP 1-104480-3

CERTIFICATIONS & RATINGS

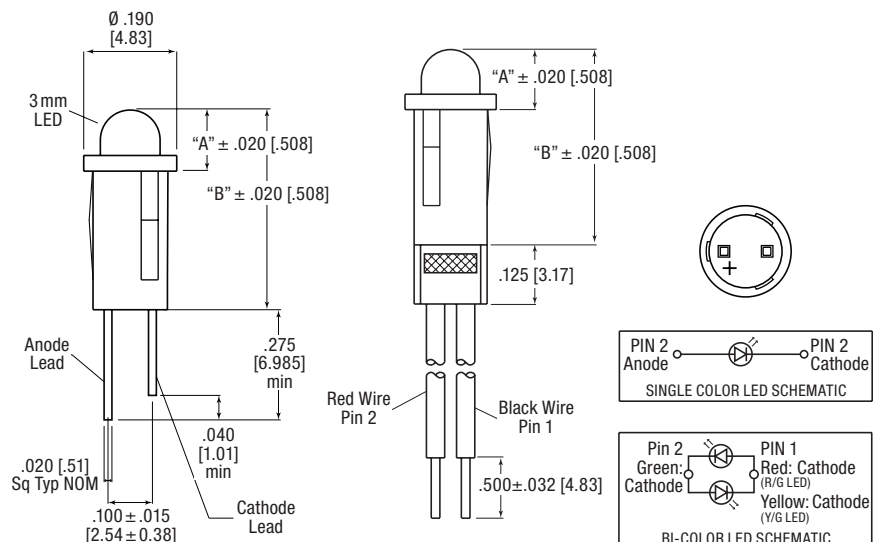
RoHS Compliant

APPLICATION

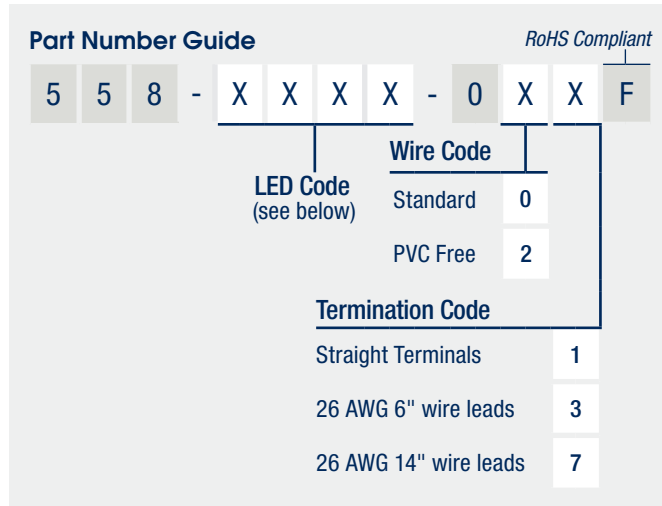
Dialight's 558 Series LED panel mount indicator is available with a variety of LEDs including AlInGaP and InGaN technology for high brightness applications, bi-color and integral resistors. These indicators are designed for a variety of applications such as:

- Fan tray assemblies
- Data center infrastructure (servers and storage)
- Networking equipment (switches and routers)
- Storage networking hardware (fiber channel host bus adapter cards)
- Next-Gen wireless infrastructure
- Electronic test and measurement instruments
- Communications testing equipment

DIMENSIONS inches [mm]



ORDERING INFORMATION

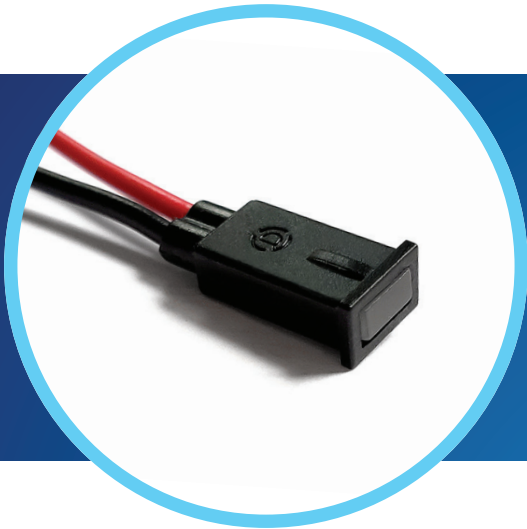


LED Code	Color	Peak Wavelength (nm)	Intensity Typ. (mcd)	If Typ. (mA)	Vf Typ. (VDC)	Viewing Angle	Max DC Forward Current (mA)	Type	Operating Temp	DIM "A"	DIM "B"
0102	● Red	635	29	12	5	60	15	5V Integral Resistor	-40 °C to +85 °C	0.101	0.381
0202	● Green	565	19	12	5	60	15				
0302	● Yellow	585	12.6	12	5	60	15				
3001	●● Red / Green	630 / 565	5.6 / 8.7 @10 mA	10 / 20	1.9 / 2.0 @20 mA	200	30 / 30	Bi-Color	-55 °C to +100 °C	0.101	0.381
3101	●● Red / Green	660 / 565	12.6 / 3.7	20	1.6 / 2.1	200	40 / 30				
3201	●● Yellow / Green	585 / 565	5.8 / 12.3	10	2.1 / 2.1	80	20 / 30				
0101	● Red	635	8.7	10	2	60	30	High Efficiency Diffused	-25 °C to +85 °C	0.111	0.391
0201	● Green	565	12.6	10	2.1	60	30				
0301	● Yellow	585	8.7	10	2.1	60	20		-55 °C to +85 °C	0.101	0.381
0401	● Orange	600	7	10	1.9	60	25				
1801	● Red	660	60	20	1.8	60	40	Low Current Diffused	-40 °C to +100 °C	0.107	0.387
0803	● Blue	468	57	10	3.2	100	30				
1101	● Red	635	2.4	2	1.7	60	7	Non-Tinted / Non-Diffused	-55 °C to +100 °C	0.101	0.381
1201	● Yellow	585	1.4	2	1.8	60	7				
1301	● Green	565	1.6	2	1.9	60	7				
0501	● Green	565	70	20	2.1	45	30	Non-Tinted / Non-Diffused	-40 °C to +100 °C	0.101	0.381
0601	● Yellow	592	200	20	1.9	45	50				
0701	● Red	660	170	20	1.8	45	40				
6003	● Blue	468	520	20	3.3	45	30	Non-Tinted / Non-Diffused	-40 °C to +85 °C	0.101	0.381
6403	○ White	Y=.31 Y=.32	3000	20	3.3	45	30				
1501	● Green	565	40	10	2.1	45	30	Tinted / Non-Diffused	-55 °C to +100 °C	0.101	0.381
1601	● Yellow	585	70	20	2.1	45	20				
1701	● Red	660	170	20	1.8	45	40	Tinted / Non-Diffused	-40 °C to +100 °C	0.101	0.381
6203	● Green	518	85	2	2.1	100	30				
								White Diffused	-45 °C to +85 °C		



Dialight reserves the right to make changes at any time in order to supply the best product possible. The most current version of this document will always be available at: www.dialightsignalsandcomponents.com

Warranty Statement: Except for the warranty expressly provided for at: www.dialight.com/resources/warranties/, Dialight disclaims any and all other warranties, express or implied, including, without limitation, any warranties of merchantability, fitness for a particular purpose, title, and noninfringement.



559 SERIES

Rectangle Snap-In LED

0.216 x 0.139" (5.49 x 3.53mm) Mounting Hole

MECHANICAL / SPECIFICATIONS

MOUNTING HOLE SIZE:

0.216 ± .002" x .139 ± .002"
(5.49 ± .05 mm x 3.53 ± .05 mm)

MAX PANEL THICKNESS:

0.031 – 0.062" (.787 – 1.57 mm)

VOLTAGE OPTIONS:

1.6 – 3.2V DC typical (resistor required)

OPERATING/STORAGE TEMP: See table

ELECTRICAL CONNECTION:

24 AWG 14" lead wire

HOUSING: Black — UL94V-0
and enhances LED contrast

CONNECTORS: Available upon request

POSSIBLE CONNECTORS:

Molex 50-57-9402 AMP 3-643814-3

TERMINALS: Available upon request

POSSIBLE TERMINALS:

Molex 16-02-0069, 16-02-077,
AMP 42067-1

CERTIFICATIONS & RATINGS

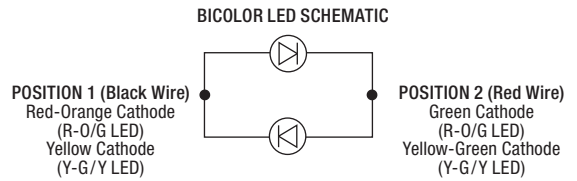
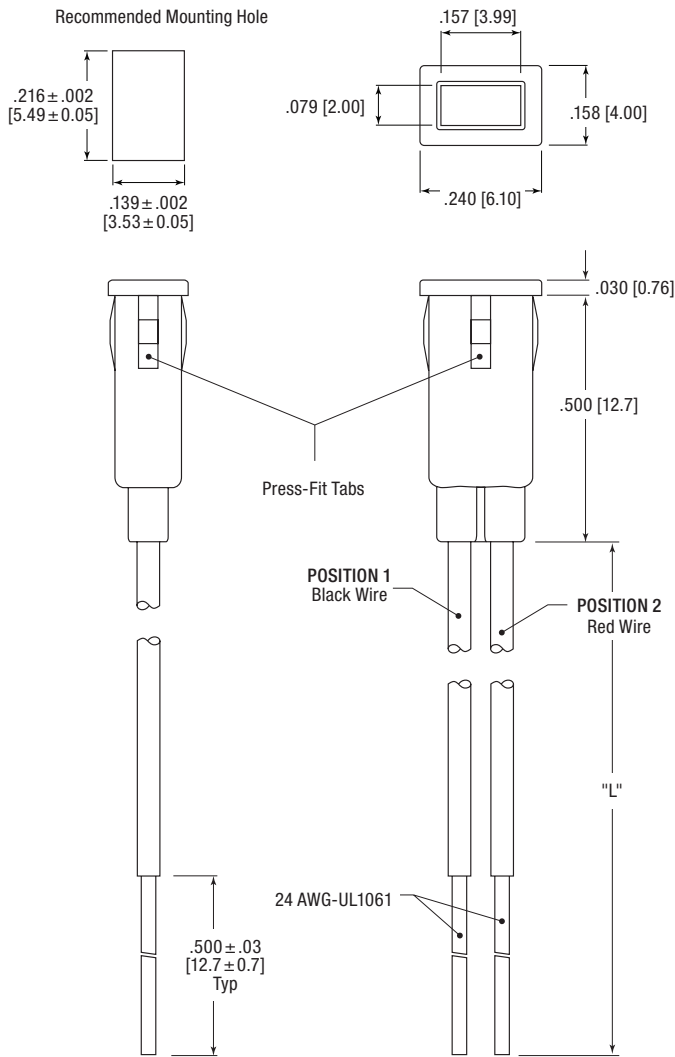
RoHS compliant

APPLICATION

Dialight's 559 series LED panel mount indicator is available with a variety of LEDs including AllnGaP and InGaN technology for high brightness applications, bicolor and integral resistors.

- Fan tray assemblies
- Hand-held devices
- Data-center Infrastructure (servers and storage)
- Next-gen wireless infrastructure
- Electronic test and measurement instruments
- Communications testing equipment

DIMENSIONS inches [mm]



ORDERING INFORMATION

Part Number	Color	Peak Wavelength (nm)	Intensity Typ. (mcd)	If Typ. (mA)	Vf Typ. (V DC)	Viewing Angle	Max DC Forward Current (mA)	Operating Temp	Storage Temp
559-8100-007F	● Red	635	125	20	2.0	104	30	-55 °C to +100 °C	-55 °C to +100 °C
559-8200-007F	● Green	565	120		2.1	104	30	-20 °C to +100 °C	
559-8300-007F	● Yellow	585	140		2.1	104	20	-55 °C to +100 °C	
559-8400-007F	● Blue	468	67		3.2	100	20	-30 °C to +85 °C	
559-8120-007F	●● Red-Orange / Green	630 / 565	90 / 40		2.1	140	30	-55 °C to +100 °C	
559-8320-007F	●● Yellow-Green / Yellow	570 / 591	30 / 50		2.1	120	20	-30 °C to +85 °C	



Dialight reserves the right to make changes at any time in order to supply the best product possible. The most current version of this document will always be available at: www.dialightsignalsandcomponents.com

Warranty Statement: Except for the warranty expressly provided for at: www.dialight.com/resources/warranties/, Dialight disclaims any and all other warranties, express or implied, including, without limitation, any warranties of merchantability, fitness for a particular purpose, title, and noninfringement.



559 SERIES Snap-In LED

.250" (6.35 mm) Mounting Hole

MECHANICAL / SPECIFICATIONS

MOUNTING HOLE SIZE:

0.249 – 0.252" (6.32 – 6.40 mm)

MAX PANEL THICKNESS:

0.031 – 0.062" (.787 – 1.57 mm)

MOUNTING TORQUE: N/A

VOLTAGE OPTIONS:

1.6 – 2.3 V DC typical (resistor required)
5, 12, 24V DC (no resistor required)

OPERATING TEMP: See table

STORAGE TEMP:

-55 °C to +100 °C (-67 °F to +212 °F)

ELECTRICAL CONNECTION:

Straight terminals for wire wrapping
or 24 AWG lead wire

HOUSING: Black — UL94V-0 and
enhances LED contrast

WIRE LEADS: 6" or 14"

CONNECTORS: Available upon request

POSSIBLE CONNECTORS:

Molex 50-57-9402
AMP 3-643814-3

TERMINALS: Available upon request

POSSIBLE TERMINALS:

Molex 16-02-0069, 16-02-077,
AMP 42067-1

CERTIFICATIONS & RATINGS

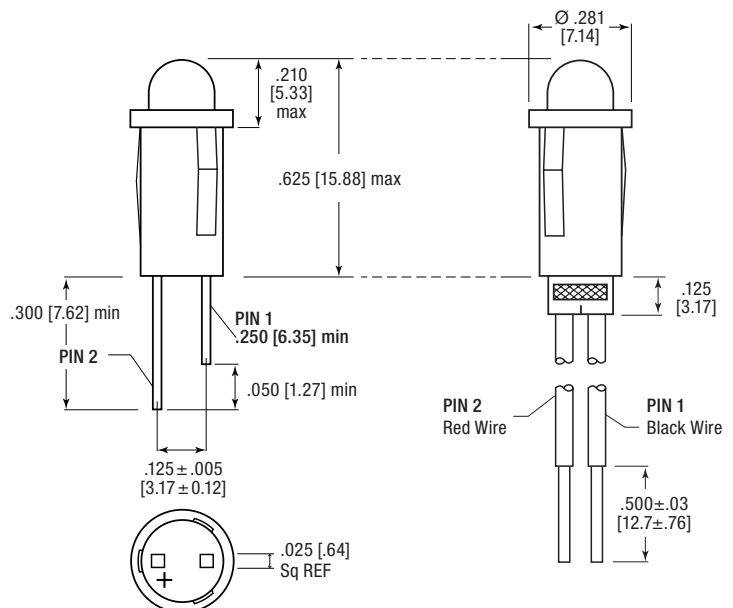
RoHS compliant

APPLICATION

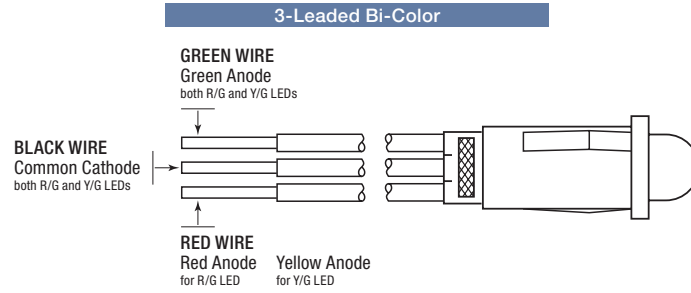
Dialight's 559 series LED panel mount indicator is available with a variety of LEDs including AllnGaP and InGaN technology for high brightness applications, bicolor and integral resistors.

- Fan tray assemblies
- Data-center infrastructure (servers and storage)
- Next-gen wireless infrastructure
- Electronic test and measurement instruments
- Communications testing equipment
- Hand held devices

DIMENSIONS inches [mm]



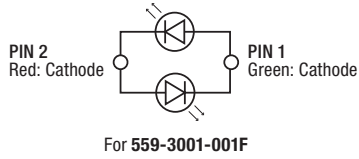
DIMENSIONS inches [mm]



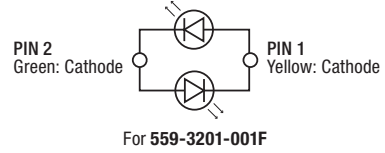
Single Color LED Schematic



Bi-Color Red/Green LED Schematic



Bi-Color Yellow/Green LED Schematic



ORDERING INFORMATION

Part Number Guide

5	5	9	-	X	X	X	X	-	0	X	X	F	
LED Code (see below)				Wire Code				Termination Code					
				Standard				0	Straight Terminals				1
				PVC Free				2	24 AWG 6" wire leads		3		
									24 AWG 14" wire leads				7

LED Code	Color	Peak Wavelength (nm)	Intensity Typ. (mcd)	If Typ. (mA)	Vf Typ. (V DC)	Viewing Angle	Max DC Forward Current (mA)	Type	Operating Temp
5501	Red	635	125	20	2.2	24	30	Non-Tinted/ Non-Diffused	-55 °C to +100 °C
5601	Green	565	120	20	2.3	24	30		-20 °C to +100 °C
5701	Yellow	583	140	20	2.1	24	20		-55 °C to +100 °C
5801	Orange	605	90	20	2.2	20	50		-30 °C to +85 °C
5901	Yellow	592	3100	20	2	15	50		-40 °C to +100 °C
6001	Blue	470	6000	20	3.1	30	35		-30 °C to +85 °C
6101	Red	635	2100	20	1.9	15	50		-40 °C to +100 °C
6201	Green	525	14800	20	3.2	30	35		-30 °C to +85 °C
6301	Orange	609	4000	20	1.9	15	50		-40 °C to +100 °C
6401	White	X = .31 Y = .32	2500	20	3.2	50	30		-30 °C to +85 °C
1101	Red	635	2.3	2	1.7	50	7		Low Current Diffused
1201	Yellow	583	1.8	2	1.9	50	7	-55 °C to +100 °C	
1301	Green	565	1.8	2	1.8	50	7	-55 °C to +100 °C	
2101	Red	650	6.3	10	2.2	50	20	Diffused	-25 °C to +85 °C
2201	Green	563	10	10	2.1	65	25		-25 °C to +85 °C
2301	Yellow	585	29	10	1.9	50	20		-55 °C to +100 °C
2501	Orange	600	7	10	1.9	60	30		-55 °C to +100 °C
5101	Red	650	40	10	2	50	25		-40 °C to -100 °C
5201	Green	569	40	10	2.1	50	30		-55 °C to +100 °C
5401	Amber	610	40	10	2.2	50	20		-40 °C to -100 °C
0102	Red	635	8		5	60	15	5V Integral Resistor	-40 °C to +85 °C
0202	Green	565	8	12	5	60	15		-20 °C to +85 °C
0302	Yellow	583	8	10	5	60	15		-40 °C to +85 °C
0103	Red	635	8	13	12	60	15	12V Integral Resistor	-55 °C to +100 °C
0203	Green	565	8	13	12	60	15		-20 °C to +85 °C
0303	Yellow	583	8	13	12	60	15		-40 °C to +85 °C
5904	Yellow	592	3100	20	24	15	50	24V Integral Resistor	-30 °C to +85 °C
6104	Red	635	2100	20	24	15	50		-30 °C to +85 °C
6204	Green	525	14800	20	24	30	50		-30 °C to +85 °C
3001	Red / Green	660/565	90/40	20	1.8/2.1	60	40/30	2 leaded Bi-color	-55 °C to +100 °C
3201	Yellow / Green	589/571	30/50	20	2.1/2.1	50	20		-30 °C to +85 °C
3501	Red / Green	635/565	5.0/8.0	10	2.1/2.3	65	30	3 leaded Bi-color	-20 °C to +85 °C
3601	Yellow / Green	590/568	9/13.5	10	2/2.1	65	30		-20 °C to +85 °C



Dialight reserves the right to make changes at any time in order to supply the best product possible. The most current version of this document will always be available at: www.dialightsignalsandcomponents.com

Warranty Statement: Except for the warranty expressly provided for at: www.dialight.com/resources/warranties/, Dialight disclaims any and all other warranties, express or implied, including, without limitation, any warranties of merchantability, fitness for a particular purpose, title, and noninfringement.



605 SERIES 5mm Panel Mount Indicators

MECHANICAL / SPECIFICATIONS

MOUNTING HOLE SIZE:
0.205" (5.2 mm)

MAX PANEL THICKNESS:
0.138" (3.5 mm)

MOUNTING TORQUE:
0.362 lbs/ft (5 kg/cm)

VOLTAGE OPTIONS:
2VDC (resistor required)

ELECTRICAL CONNECTION:
Through hole leads*

HOUSING:
Brass–Chrome plated

TERMINALS:
Copper–Nickel Plated

LOCK WASHER:
Steel–Nickel Plated

NUT:
Brass–Nickel Plated

**LED leads are always insulated from indicator housing.*

CERTIFICATIONS & RATINGS

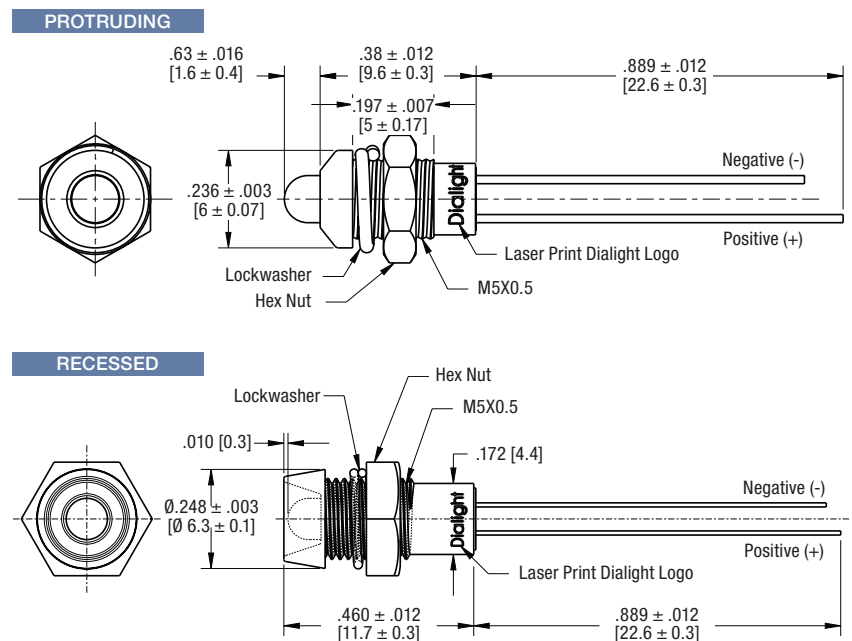
RoHS compliant

APPLICATION

The 605 Series LED Panel Mount Indicators are designed for a variety of applications such as.

- Main power indication
- Remote power indication
- Status indication
- Maintenance and warning indication
- Instrumentation

DIMENSIONS inches [mm]



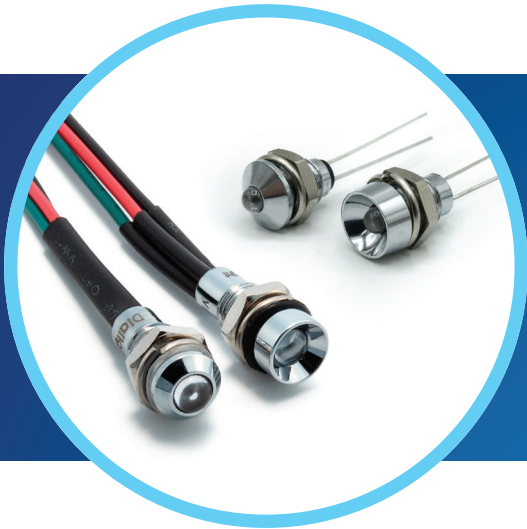
ORDERING INFORMATION

Part Number	Color	Voltage (V DC)	Current (mA)	Intensity (mcd)		LED Position	Finish	Operating Temperature	Storage Temperature
				Min.	Max.				
605-1111-110F	● Red	2	30	460	780	Protruding	Chrome	-40 °C to +85 °C	-40 °C to +100 °C
605-1211-110F	● Green	3		2000	3000				
605-1311-110F	● Yellow	2		460	780				
605-2111-110F	● Red	2	20	400	600	Recessed		-40 °C to +85 °C	-40 °C to +85 °C
605-2211-110F	● Green	3		900	1400				
605-2311-110F	● Yellow	2		400	600				



Dialight reserves the right to make changes at any time in order to supply the best product possible. The most current version of this document will always be available at: www.dialightsignalsandcomponents.com

Warranty Statement: Except for the warranty expressly provided for at: www.dialight.com/resources/warranties/, Dialight disclaims any and all other warranties, express or implied, including, without limitation, any warranties of merchantability, fitness for a particular purpose, title, and noninfringement.



606 SERIES 6mm Panel Mount Indicators

MECHANICAL / SPECIFICATIONS

MOUNTING HOLE SIZE:
0.244" (6.2 mm)

MAX PANEL THICKNESS:
0.138" (3.5 mm)

MOUNTING TORQUE:
0.362 lbs/ft (5 kg/cm) torque

VOLTAGE OPTIONS:
2, 3, 6 and 12 V DC

SINGLE-COLOR: Resistor Required

BI-COLOR: No Resistor Required

OPERATING TEMP:
-25 °C to +85 °C (-13 °F to +185 °F)

STORAGE TEMP:
-25 °C to +100 °C (-13 °F to +212 °F)

ELECTRICAL CONNECTION:

Through hole and 26 AWG wire leads (bi-color only)

HOUSING:
Brass-Chrome Plated

TERMINALS:
Copper-Nickel Plated

WIRE LEADS:
6" on bi-color only

LOCK WASHER:
Iron-Nickel Plated

NUT:
Brass-Nickel Plated

CERTIFICATIONS & RATINGS

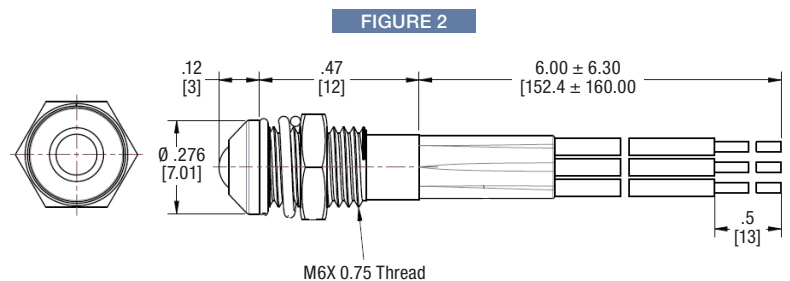
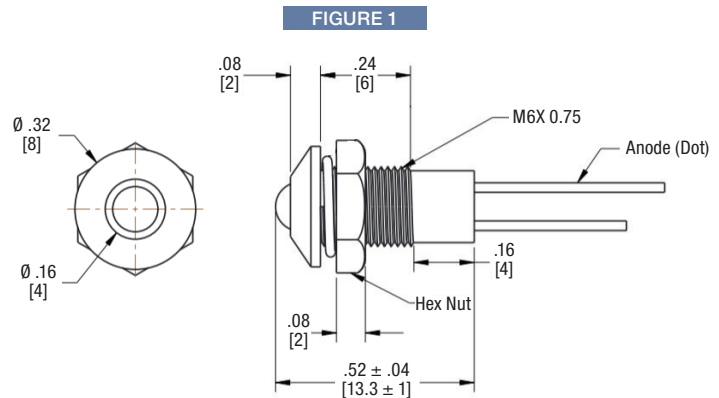
RoHS compliant

APPLICATION

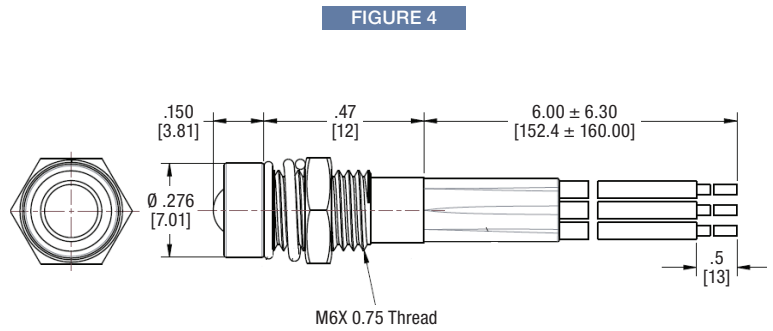
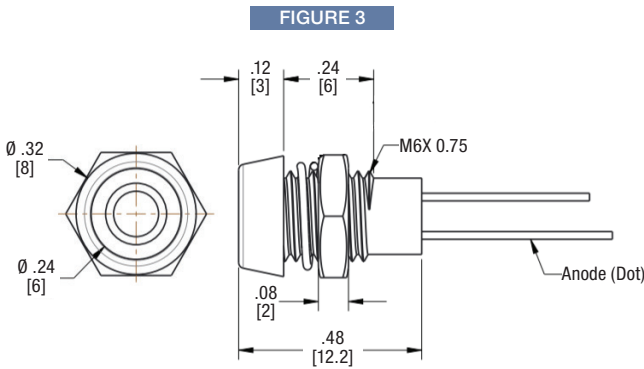
The 606 Series LED Panel Mount Indicators are designed for a variety of applications such as:

- Main power indication
- Remote power indication
- Status indication
- Maintenance and warning indication
- Instrumentation

DIMENSIONS inches [mm]



DIMENSIONS (Cont'd) inches [mm]



ORDERING INFORMATION

Part Number	Color	Voltage (VDC)	Current (mA)	Typical Intensity* (mcd)	LED Position	Finish	Figure
606-1111-110F	Red	2	5	45	Protruding	Chrome	1
606-1211-110F	Green	3	15	70			
606-1311-110F	Yellow	2		60			1 with wire leads
606-1215-110F	Green	3	70				
606-1415-110F	Red/Green	3	10	1200/4000	Protruding Diffused	Chrome	2
606-1415-120F		6					
606-1415-130F		12					
606-1415-210F		2		100/400			
606-1415-220F		6					
606-1415-230F		12					
606-2111-110F	Red	2	5	45	Recess	3	
606-2211-110F	Green	3	15	70			
606-2311-110F	Yellow	2		60			
606-2415-110F	Red/Green	3	10	1200/4000	Recessed Diffused	Chrome	4
606-2415-120F		6					
606-2415-130F		12					
606-2415-210F		2		100/400			
606-2415-220F		6					
606-2415-230F		12					

*Bi-color intensity (Red/Green)
 Single-color: Resistor required
 Bi-color: No resistor required



Dialight reserves the right to make changes at any time in order to supply the best product possible. The most current version of this document will always be available at: www.dialightsignalsandcomponents.com

Warranty Statement: Except for the warranty expressly provided for at: www.dialight.com/resources/warranties/, Dialight disclaims any and all other warranties, express or implied, including, without limitation, any warranties of merchantability, fitness for a particular purpose, title, and noninfringement.



606 SERIES

6mm Expanded Temperature Range Panel Mount Indicators

MECHANICAL / SPECIFICATIONS

MOUNTING HOLE SIZE:
0.244" (6.2 mm)

MAX PANEL THICKNESS:
0.138" (3.5 mm)

MOUNTING TORQUE:
0.362 lbs/ft (5 kg/cm) torque

VOLTAGE OPTIONS:
3 VDC (resistor required)
6, 12, 24, and 28 VDC
(no resistor required)

OPERATING TEMP:
-40 °C to +85 °C (-40 °F to +185 °F)

STORAGE TEMP:
-40 °C to +100 °C (-40 °F to +212 °F)

ELECTRICAL CONNECTION:
26 AWG wire leads

HOUSING:
Stainless Steel

WIRE LEADS:
6" -(26 AWG)

LOCK WASHER:
Iron-Nickel Plated

NUT:
Brass-Nickel Plated

CERTIFICATIONS & RATINGS

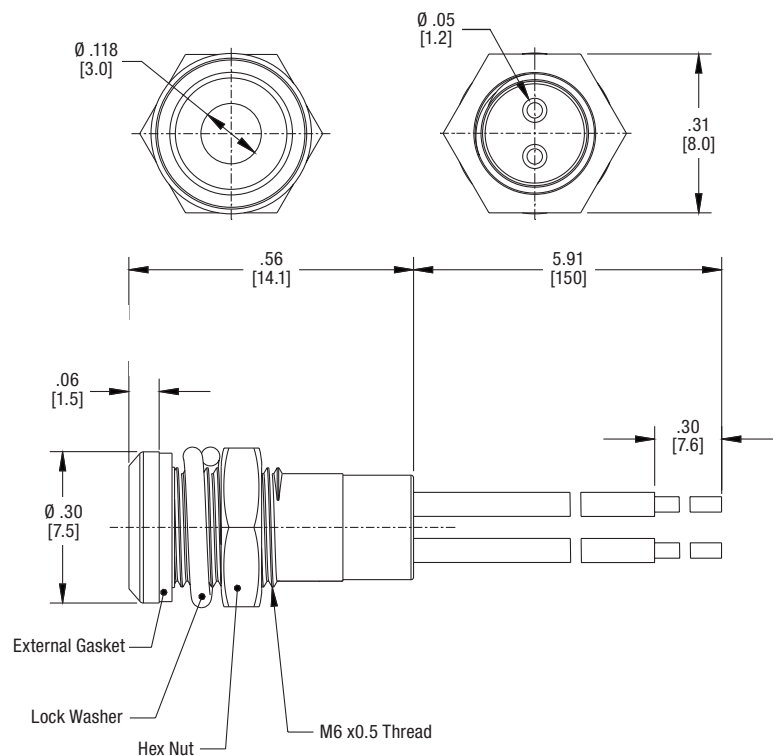
RoHS compliant
IP67

APPLICATION

The 606 Series LED Panel Mount Indicators are designed for a variety of applications such as:

- Main power indication
- Remote power indication
- Status indication
- Maintenance and warning indication
- Instrumentation

DIMENSIONS inches [mm]



ORDERING INFORMATION

Part Number	Color	Voltage (VDC)	Current (mA)	Typical Intensity* (mcd)
606-3115-110F	● Red	3	15	620
606-3215-110F	● Green			2500
606-3315-110F	● Yellow			620
606-3415-110F	● Blue			620
606-3115-120F	● Red	6		620
606-3215-120F	● Green			2500
606-3315-120F	● Yellow			620
606-3415-120F	● Blue			620
606-3115-130F	● Red	12		620
606-3215-130F	● Green			2500
606-3315-130F	● Yellow			620
606-3415-130F	● Blue			620
606-3115-140F	● Red	24		620
606-3215-140F	● Green			2500
606-3315-140F	● Yellow			620
606-3415-140F	● Blue			620
606-3115-150F	● Red	28	620	
606-3215-150F	● Green		2500	
606-3315-150F	● Yellow		620	
606-3415-150F	● Blue		620	



Dialight reserves the right to make changes at any time in order to supply the best product possible. The most current version of this document will always be available at: www.dialightsignalsandcomponents.com

Warranty Statement: Except for the warranty expressly provided for at: www.dialight.com/resources/warranties/, Dialight disclaims any and all other warranties, express or implied, including, without limitation, any warranties of merchantability, fitness for a particular purpose, title, and noninfringement.



607 SERIES 7mm Panel Mount Indicators

MECHANICAL / SPECIFICATIONS

MOUNTING HOLE SIZE:
0.283" (7.2 mm)

MAX PANEL THICKNESS: See part numbers

MOUNTING TORQUE:
0.362 lbs/ft (5 kg/cm)

0.217 lbs/ft or 3 kg/cm (Figure 5 only)

VOLTAGE OPTIONS:
2 VDC and 3 VDC (resistor required)
6, 12 and 24 VDC (no resistor required)

ELECTRICAL CONNECTION:
Solder terminals

HOUSING:
Protruding and recessed positions:
Brass-Chrome Plated

INTERNAL POSITION: Polycarbonate

TERMINALS:
Copper-Nickel Plated

LOCK WASHER:
Iron-Nickel Plated

NUT:
Brass-Nickel Plated

CERTIFICATIONS & RATINGS

RoHS compliant
NEMA 4X (Watertight only)
IP66 (Watertight only)

APPLICATION

The 607 Series LED Panel Mount Indicators are designed for a variety of applications such as:

- Main power indication
- Remote power indication
- Status indication
- Maintenance and warning indication
- Instrumentation

DIMENSIONS inches [mm]

FIGURE 1 - PROTRUDING - Non-Polarized

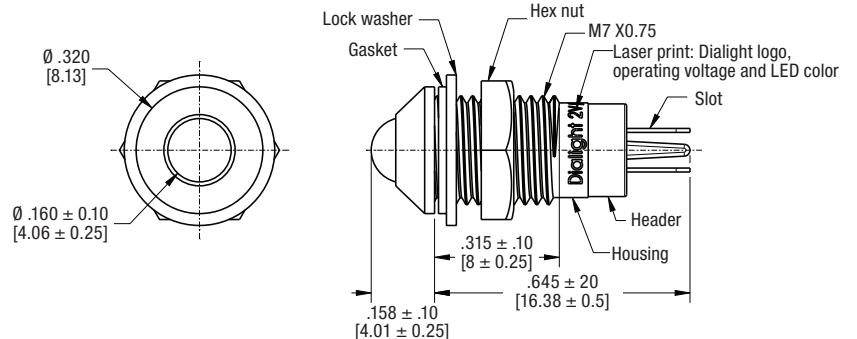
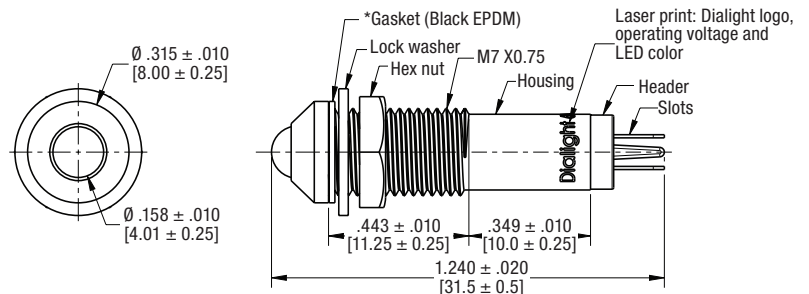


FIGURE 2 - PROTRUDING - Non-Polarized



*Gasket only available on part number 607-1X12-3X0F

DIMENSIONS (Cont'd) inches [mm]

FIGURE 3 - RECESSED - Non-Polarized

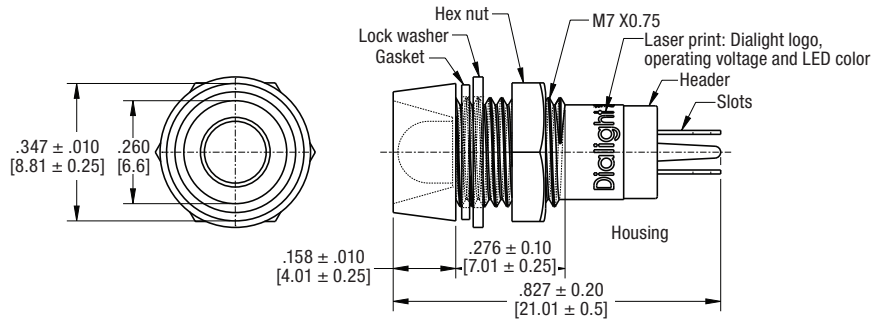
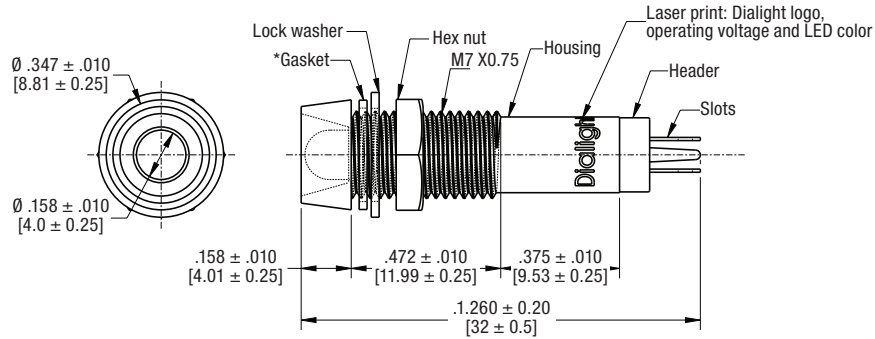
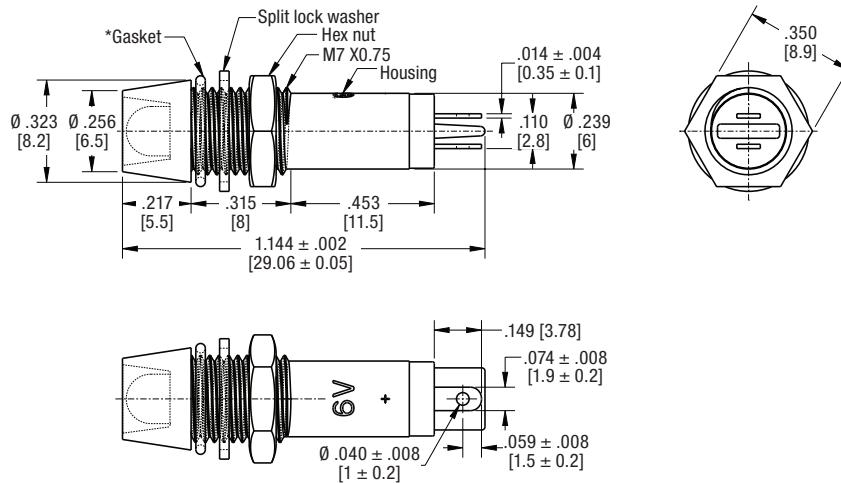


FIGURE 4 - RECESSED - Non-Polarized



*Gasket only available on part number 607-2X12-3X0F

FIGURE 5 - INTERNAL - Polarized



*Gasket only available on part number 607-3X32-3X0F

ORDERING INFORMATION

STANDARD WATERTIGHT

Part Number	Part Number	Color	Voltage (VDC)	Current (mA)	Intensity Typ. (mcd)	LED Positions	Polarity	Panel Thickness	Operating Temperature	Storage Temperature
-------------	-------------	-------	---------------	--------------	----------------------	---------------	----------	-----------------	-----------------------	---------------------

Figure 1

607-1112-110F	607-1112-310F	● Red	2	20	40	Protruding	Non-Polarized	0.187" (4.75 mm)	-40°C to +85°C	-40°C to +85°C
607-1212-110F	607-1212-310F	● Green	3		65				-40°C to +85°C	-40°C to +85°C
607-1312-110F	607-1312-310F	● Yellow	2		55				-25°C to +85°C	-25°C to +85°C

Figure 2

607-1112-120F	607-1112-320F	● Red	6	20	40	Protruding	Non-Polarized	0.265" (6.75 mm)	-40°C to +85°C	-40°C to +85°C
607-1212-120F	607-1212-320F	● Green			65				-40°C to +85°C	-40°C to +85°C
607-1312-120F	607-1312-320F	● Yellow			55				-25°C to +85°C	-25°C to +85°C
607-1112-130F	607-1112-330F	● Red	12	20	40	Protruding	Non-Polarized	0.265" (6.75 mm)	-40°C to +85°C	-40°C to +85°C
607-1212-130F	607-1212-330F	● Green			65				-40°C to +85°C	-40°C to +85°C
607-1312-130F	607-1312-330F	● Yellow			55				-25°C to +85°C	-25°C to +85°C

Figure 3

607-2112-110F	607-2112-310F	● Red	2	20	65	Recessed	Non-Polarized	0.136" (3.45 mm)	-40°C to +85°C	-40°C to +85°C
607-2212-110F	607-2212-310F	● Green	3		85				-40°C to +85°C	-40°C to +85°C
607-2312-110F	607-2312-310F	● Yellow	2		70				-25°C to +85°C	-25°C to +85°C

Figure 4

607-2112-120F	607-2112-320F	● Red	6	20	65	Recessed	Non-Polarized	0.336" (8.50 mm)	-40°C to +85°C	-40°C to +85°C
607-2212-120F	607-2212-320F	● Green			85				-40°C to +85°C	-40°C to +85°C
607-2312-120F	607-2312-320F	● Yellow			70				-25°C to +85°C	-25°C to +85°C
607-2112-130F	607-2112-330F	● Red	12	20	65	Recessed	Non-Polarized	0.336" (8.50 mm)	-40°C to +85°C	-40°C to +85°C
607-2212-130F	607-2212-330F	● Green			85				-40°C to +85°C	-40°C to +85°C
607-2312-130F	607-2312-330F	● Yellow			70				-25°C to +85°C	-25°C to +85°C

Figure 5

607-3132-120F	607-3132-320F	● Red	6	25	35	Internal	Polarized	0.187" (4.75 mm)	-40°C to +80°C	-40°C to +85°C
607-3232-120F	607-3232-320F	● Green		30	45				-40°C to +85°C	-40°C to +85°C
607-3332-120F	607-3332-320F	● Yellow		30	40				-40°C to +85°C	-40°C to +85°C
607-3132-130F	607-3132-330F	● Red	12	25	35	Internal	Polarized	0.187" (4.75 mm)	-40°C to +80°C	-40°C to +85°C
607-3232-130F	607-3232-330F	● Green		30	45				-40°C to +85°C	-40°C to +85°C
607-3332-130F	607-3332-330F	● Yellow		30	40				-40°C to +85°C	-40°C to +85°C
607-3132-140F	607-3132-340F	● Red	24	25	35	Internal	Polarized	0.187" (4.75 mm)	-40°C to +80°C	-40°C to +85°C
607-3232-140F	607-3232-340F	● Green		30	45				-40°C to +85°C	-40°C to +85°C
607-3332-140F	607-3332-340F	● Yellow		30	40				-40°C to +85°C	-40°C to +85°C



Dialight reserves the right to make changes at any time in order to supply the best product possible. The most current version of this document will always be available at: www.dialightsignalsandcomponents.com

Warranty Statement: Except for the warranty expressly provided for at: www.dialight.com/resources/warranties/, Dialight disclaims any and all other warranties, express or implied, including, without limitation, any warranties of merchantability, fitness for a particular purpose, title, and noninfringement.



608 SERIES 8mm Panel Mount Indicators

MECHANICAL / SPECIFICATIONS

MOUNTING HOLE SIZE:
0.323" (8.2 mm) (Fig. 1 & 2),

MAX PANEL THICKNESS: See part numbers

MOUNTING TORQUE:
0.217 lbs/ft or 3 kg/cm

VOLTAGE OPTIONS:
2 VDC (resistor required)

OPERATING TEMP:
-25 °C to +85 °C (-13 °F to +185 °F)

STORAGE TEMP:
-25 °C to +85 °C (-13 °F to +185 °F)

ELECTRICAL CONNECTION:
Straight terminals (Fig. 1 & 2),

HOUSING:
Polycarbonate

LOCK WASHER:
Iron – Nickel Plated

NUT:
Brass – Nickel Plated

CERTIFICATIONS & RATINGS

RoHS compliant

APPLICATION

The 608 Series LED Panel Mount Indicators are designed for a variety of applications such as.

- Main power indication
- Remote power indication
- Status indication
- Maintenance and warning indication
- Instrumentation

DIMENSIONS inches [mm]

FIGURE 1

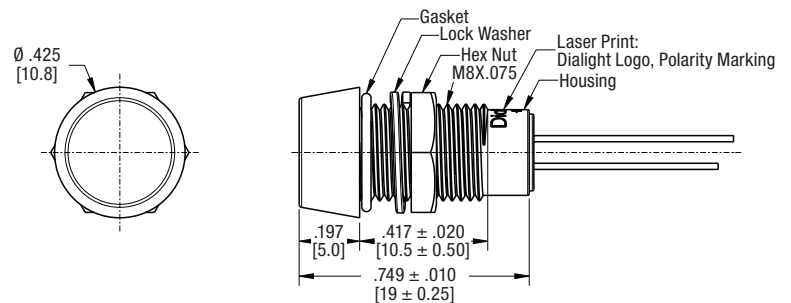
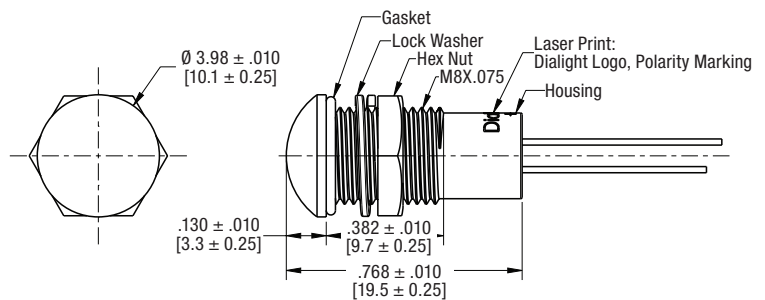


FIGURE 2



These indicators are un-polarized

ORDERING INFORMATION

LOCK WASHER AND NUT

Part Number	Color	Voltage (V DC)	Current (mA)	Typical Intensity (mcd)	Lens Shape	Figure	Panel Thickness
608-1131-110F	● Red	2	15	25	Domed	1 2	0.236" (6 mm)
608-1231-110F	● Green			30			
608-1331-110F	● Yellow			15			
608-3131-110F	● Red			25	Flat		
608-3231-110F	● Green			30			
608-3331-110F	● Yellow			15			



Dialight reserves the right to make changes at any time in order to supply the best product possible. The most current version of this document will always be available at: www.dialightsignalsandcomponents.com

Warranty Statement: Except for the warranty expressly provided for at: www.dialight.com/resources/warranties/, Dialight disclaims any and all other warranties, express or implied, including, without limitation, any warranties of merchantability, fitness for a particular purpose, title, and noninfringement.



609 SERIES 9mm Panel Mount Indicators

MECHANICAL / SPECIFICATIONS

MOUNTING HOLE SIZE:
0.374" (9.5 mm)

MAX PANEL THICKNESS:
0.374" (9.5 mm);
with Gasket: 0.318" (8.0 mm)

MOUNTING TORQUE:
0.362 lbs/ft (5 kg/cm)

VOLTAGE OPTIONS:
6, 12 & 24 V DC (no resistor required)

OPERATING TEMP:
-30 °C to +85 °C (-22 °F to +185 °F)

STORAGE TEMP:
-40 °C to +85 °C (-40 °F to +185 °F)

ELECTRICAL CONNECTION:
Solder terminals

HOUSING:
Brass-Chrome or Black Plated

TERMINALS:
Copper-Nickel Plated

LOCK WASHER:
Iron-Nickel Plated

NUT:
Brass-Nickel Plated

CERTIFICATIONS & RATINGS

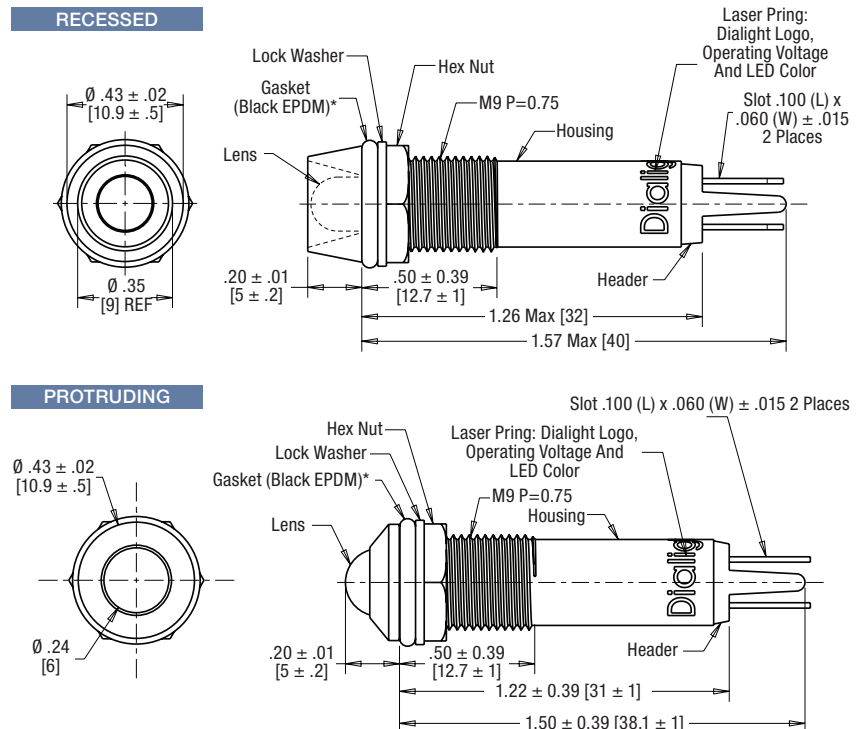
RoHS compliant
NEMA 4X (Watertight only)
IP66 (Watertight only)

APPLICATION

The 609 Series LED Panel Mount Indicators are designed for a variety of applications such as:

- Main power indication
- Remote power indication
- Status indication
- Maintenance and warning indication
- Instrumentation

DIMENSIONS inches [mm]



These indicators are un-polarized
*Gasket only available on 609-1X12-3X0F

ORDERING INFORMATION

PROTRUDING LED

Part Number	Part Number	Color	Voltage (V DC)	Current (mA)	Intensity Typ. (mcd)	Plating
Standard	Watertight					
609-1112-120F	609-1112-320F	● Red	6	15	85	Chrome
609-1212-120F	609-1212-320F	● Green			115	
609-1312-120F	609-1312-320F	● Yellow			90	
609-1112-130F	609-1112-330F	● Red	12		85	
609-1212-130F	609-1212-330F	● Green			115	
609-1312-130F	609-1312-330F	● Yellow			90	
609-1112-140F	609-1112-340F	● Red	24		85	
609-1212-140F	609-1212-340F	● Green			115	
609-1312-140F	609-1312-340F	● Yellow			90	
609-1122-120F	609-1122-320F	● Red	6		85	Black
609-1222-120F	609-1222-320F	● Green			115	
609-1322-120F	609-1322-320F	● Yellow			90	
609-1122-130F	609-1122-330F	● Red	12		85	
609-1222-130F	609-1222-330F	● Green			115	
609-1322-130F	609-1322-330F	● Yellow			90	
609-1122-140F	609-1122-340F	● Red	24	85		
609-1222-140F	609-1222-340F	● Green		115		
609-1322-140F	609-1322-340F	● Yellow		90		

RECESSED LED

609-2112-120F	609-2112-320F	● Red	6	15	85	Chrome
609-2212-120F	609-2212-320F	● Green			115	
609-2312-120F	609-2312-320F	● Yellow			90	
609-2112-130F	609-2112-330F	● Red	12		85	
609-2212-130F	609-2212-330F	● Green			115	
609-2312-130F	609-2312-330F	● Yellow			90	
609-2112-140F	609-2112-340F	● Red	24		85	
609-2212-140F	609-2212-340F	● Green			115	
609-2312-140F	609-2312-340F	● Yellow			90	
609-2122-120F	609-2122-320F	● Red	6		85	Black
609-2222-120F	609-2222-320F	● Green			115	
609-2322-120F	609-2322-320F	● Yellow			90	
609-2122-130F	609-2122-330F	● Red	12		85	
609-2222-130F	609-2222-330F	● Green			115	
609-2322-130F	609-2322-330F	● Yellow			90	
609-2122-140F	609-2122-340F	● Red	24	85		
609-2222-140F	609-2222-340F	● Green		115		
609-2322-140F	609-2322-340F	● Yellow		90		



Dialight reserves the right to make changes at any time in order to supply the best product possible. The most current version of this document will always be available at: www.dialightsignalsandcomponents.com

Warranty Statement: Except for the warranty expressly provided for at: www.dialight.com/resources/warranties/, Dialight disclaims any and all other warranties, express or implied, including, without limitation, any warranties of merchantability, fitness for a particular purpose, title, and noninfringement.



612 SERIES 12 mm Panel Mount Indicators

MECHANICAL / SPECIFICATIONS

MOUNTING HOLE SIZE:
0.492" (12.5 mm)

MAX PANEL THICKNESS:
0.236" (6.0 mm)

MOUNTING TORQUE:
0.217 lbs/ft (3 kg/cm)

VOLTAGE OPTIONS:
6, 12 & 24 VDC (no resistor required)

OPERATING TEMP:
-25 °C to +85 °C (-13 °F to +185 °F)

STORAGE TEMP:
-25 °C to +100 °C (-13 °F to +212 °F)

ELECTRICAL CONNECTION:

Solder terminals

HOUSING:
Polycarbonate

TERMINALS:
Copper—Nickel Plated

LOCK WASHER:
Iron—Nickel Plated

NUT:
Brass—Nickel Plated

CERTIFICATIONS & RATINGS

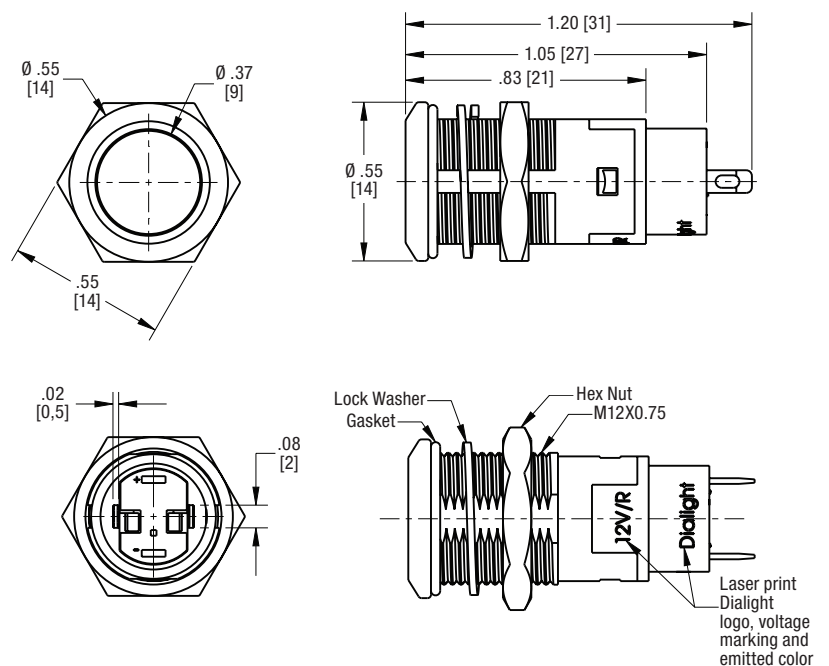
RoHS compliant

APPLICATION

The 612 Series LED Panel Mount Indicators are designed for a variety of applications such as:

- Main power indication
- Remote power indication
- Status indication
- Maintenance and warning indication
- Instrumentation

DIMENSIONS inches [mm]



ORDERING INFORMATION

Part Number	Color	Voltage (V DC)	Current (mA)	Intensity Typ. (mcd)
612-3132-120F	● Red	6	15	65
612-3232-120F	● Green			110
612-3332-120F	● Yellow			80
612-3132-130F	● Red	12		65
612-3232-130F	● Green			110
612-3332-130F	● Yellow			80
612-3132-140F	● Red	24		65
612-3232-140F	● Green			110
612-3332-140F	● Yellow			80



Dialight reserves the right to make changes at any time in order to supply the best product possible. The most current version of this document will always be available at: www.dialightsignalsandcomponents.com

Warranty Statement: Except for the warranty expressly provided for at: www.dialight.com/resources/warranties/, Dialight disclaims any and all other warranties, express or implied, including, without limitation, any warranties of merchantability, fitness for a particular purpose, title, and noninfringement.



620 SERIES 8mm Heavy Duty Panel Mount Indicators

MECHANICAL / SPECIFICATIONS

MOUNTING HOLE SIZE:
0.323" (8.2 mm)

MAX PANEL THICKNESS:
0.394" (10 mm)

MOUNTING TORQUE:
8 lbs-in (1Nm)

OPERATING VOLTAGE:
3 VDC
6, 12 & 24 VDC
(internal resistor included)

OPERATING TEMP:
-25 °C to +70 °C (-13 °F to 158 °F)

STORAGE TEMP:
-25 °C to +70 °C (-13 °F to 158 °F)

ELECTRICAL CONNECTION:
Solder terminals

HOUSING: Stainless Steel

TERMINALS: Stainless Steel

NUT: Stainless Steel

CERTIFICATIONS & RATINGS

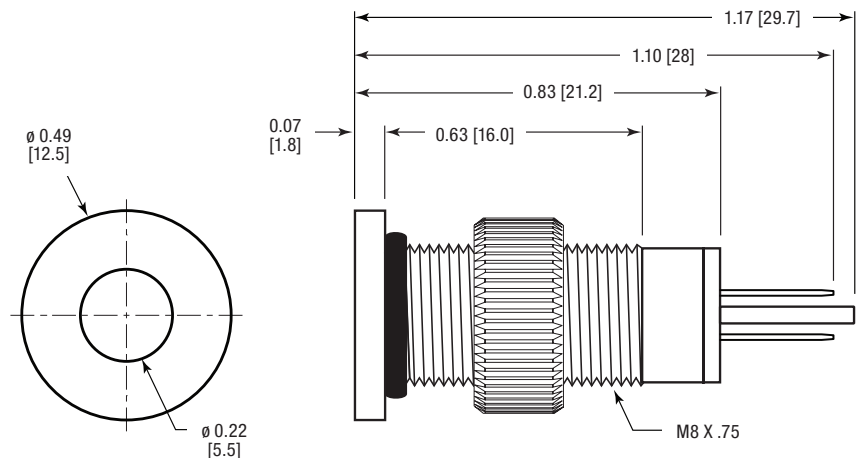
RoHS compliant
IP66/IP67
IK10
NEMA 4X

APPLICATION

The 620 Series Heavy Duty LED Panel Mount Indicators are elegantly designed for a high-end aesthetic paired with sturdy construction. These indicators are non-magnetic, corrosion resistant for both indoor and outdoor use, and secured to prevent dirt, dust, and water penetration. Ideal for a variety of applications such as:

- Instrumentation
- Navigation
- Industrial panels
- Communications
- Warning lights
- Main power indication
- Remote power indication
- Status indication
- Maintenance and warning indication

DIMENSIONS inches [mm]



These indicators are un-polarized.

ORDERING INFORMATION

Part Number	Color	Voltage (VDC)	Current (mA)	Typical Intensity (mcd)
620-1101-304F	● Red	3	15	200
620-1201-304F	● Green			250
620-1301-304F	● Yellow			350
620-1401-304F	● Blue			300
620-1102-304F	● Red	6		200
620-1202-304F	● Green			250
620-1302-304F	● Yellow			350
620-1402-304F	● Blue			300
620-1103-304F	● Red	12		200
620-1203-304F	● Green			250
620-1303-304F	● Yellow			350
620-1403-304F	● Blue			300
620-1104-304F	● Red	24		200
620-1204-304F	● Green			250
620-1304-304F	● Yellow			350
620-1404-304F	● Blue			300



Dialight reserves the right to make changes at any time in order to supply the best product possible. The most current version of this document will always be available at: www.dialightsignalsandcomponents.com

Warranty Statement: Except for the warranty expressly provided for at: www.dialight.com/resources/warranties/, Dialight disclaims any and all other warranties, express or implied, including, without limitation, any warranties of merchantability, fitness for a particular purpose, title, and noninfringement.



620 SERIES

8mm Heavy Duty Bi- and Tri-Color Panel Mount Indicators

MECHANICAL / SPECIFICATIONS

MOUNTING HOLE SIZE:
.323" (8.2mm)

MAX PANEL THICKNESS:
.197" (5mm)

MOUNTING TORQUE:
8 lbs-in (1Nm)

OPERATING VOLTAGE:
3VDC, 12VDC, 24VDC

OPERATING TEMP:
-40°C-70° (-40°F-158°F)

STORAGE TEMP:
-40°C-70° (-40°F-158°F)

ELECTRICAL CONNECTION:
26AWG UL 1007 wire leads
Common cathode

HOUSING:
Stainless steel

NUTS:
Stainless steel

CERTIFICATIONS & RATINGS

RoHS compliant
IP67
IK10

FEATURES & BENEFITS

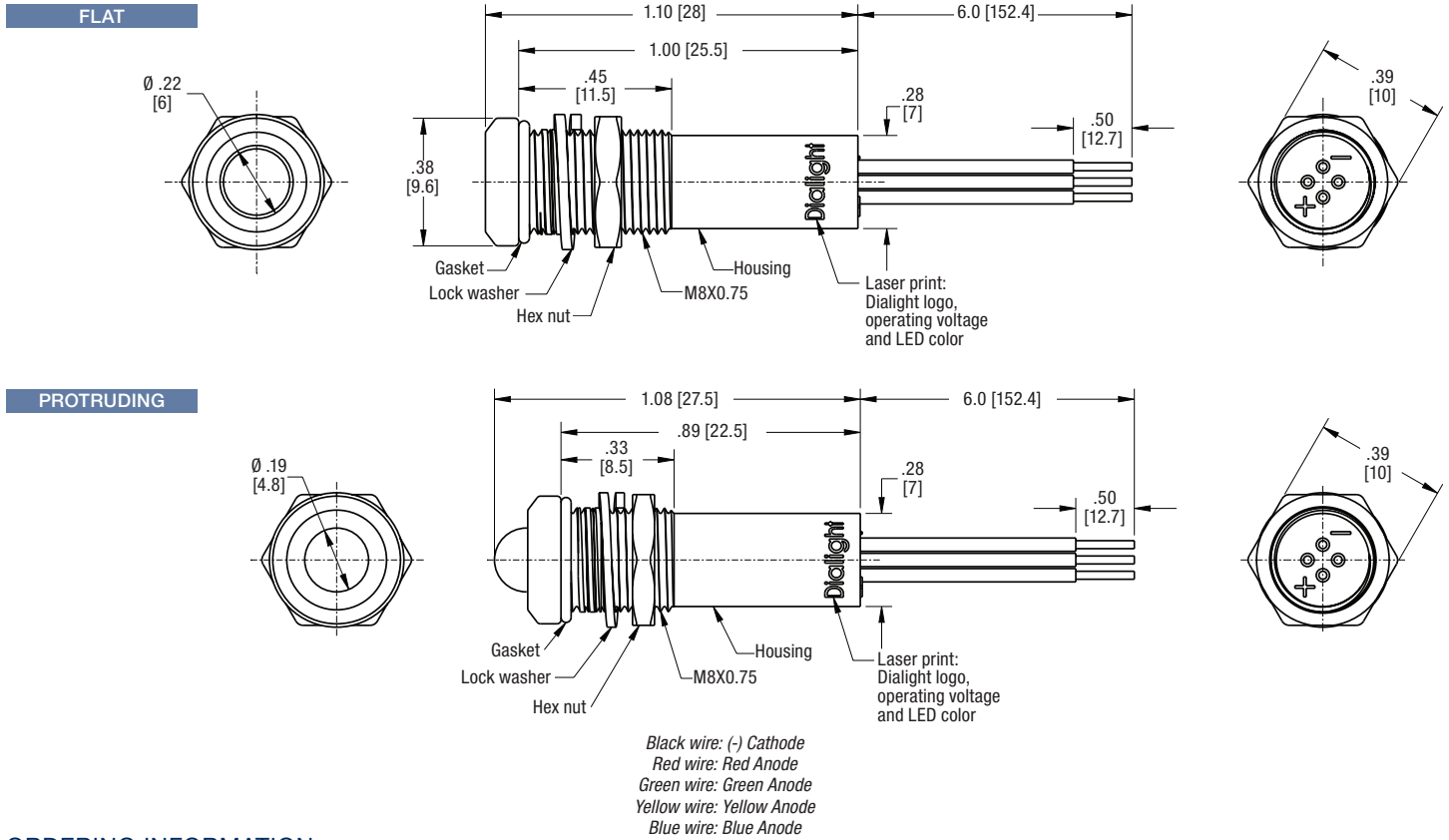
- RoHS Compliant
- IP67 rating
- IK10 rating
- Bi-color and tri-color options
- High brightness level for increasing visibility

APPLICATION

The 620 Series Heavy Duty LED Panel Mount Indicators are elegantly designed for a high-end aesthetic paired with sturdy construction. These indicators are non-magnetic, corrosion resistant for both indoor and outdoor use, and secured to prevent dirt, dust, and water penetration. Ideal for a variety of applications such as:

- Main power indication
 - Remote power indication
 - Status indication
 - Maintenance and warning indication
 - Instrumentation
- ... and many more!

DIMENSIONS inches [mm]



ORDERING INFORMATION

Part Number	Color	Voltage (VDC)	Lens	Current (mA)	Typical Intensity (mcd)	
620-1141-317F	Tri-Color ● Red ● Green ● Yellow	3V	Transparent, Flat	15mA	1200	
620-1143-317F		12V			2500	
620-1144-317F		24V			800	
620-1121-317F	Tri-Color ● Red ● Green ● Blue	3V			1000	
620-1123-317F		12V			1500	
620-1124-317F		24V			700	
620-1141-117F	Tri-Color ● Red ● Green ● Yellow	3V	Transparent, Protruding	15mA	5000	
620-1143-117F		12V			3000	
620-1144-117F		24V			6500	
620-1121-117F	Tri-Color ● Red ● Green ● Blue	3V			5000	
620-1123-117F		12V			4000	
620-1124-117F		24V			2000	
620-1111-317F	Bi-Color ● Red ● Green	3V	Transparent, Flat	15mA	1000	
620-1113-317F		12V			1500	
620-1114-317F		24V				
620-1111-117F	Bi-Color ● Red ● Green	3V	Transparent, Protruding		15mA	1000
620-1113-117F		12V				1500
620-1114-117F		24V				



Dialight reserves the right to make changes at any time in order to supply the best product possible. The most current version of this document will always be available at: www.dialightsignalsandcomponents.com

Warranty Statement: Except for the warranty expressly provided for at: www.dialight.com/resources/warranties/, Dialight disclaims any and all other warranties, express or implied, including, without limitation, any warranties of merchantability, fitness for a particular purpose, title, and noninfringement.



621 SERIES 22 mm Heavy Duty Tri-Color Panel Mount Indicators

MECHANICAL / SPECIFICATIONS

MOUNTING HOLE SIZE:
0.866" (22 mm)

MAX PANEL THICKNESS:
0.394" (10 mm)

MOUNTING TORQUE:
8 lbs-in (1Nm)

OPERATING VOLTAGE:
3, 6, 12 & 24 VDC
(internal resistor included)

OPERATING TEMP:
-25 °C to +70 °C (-13 °F to 158 °F)

STORAGE TEMP:
-25 °C to +70 °C (-13 °F to 158 °F)

ELECTRICAL CONNECTION:
Solder terminals, Common Cathode

HOUSING:
Stainless Steel

TERMINALS:
Stainless Steel

NUT:
Stainless Steel

CERTIFICATIONS & RATINGS

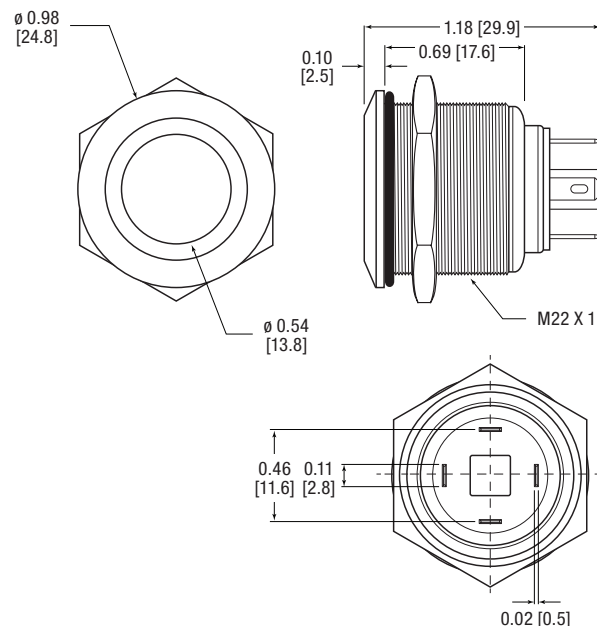
RoHS compliant
IP66/IP67
IK10
NEMA 4X

APPLICATION

The 621 Series Heavy Duty LED Panel Mount Indicators are elegantly designed for a high-end aesthetic paired with sturdy construction. These indicators are non-magnetic, corrosion resistant for both indoor and outdoor use, and secured to prevent dirt, dust, and water penetration. Ideal for a variety of applications such as:

- Main power indication
- Remote power indication
- Status indication
- Maintenance and warning indication
- Instrumentation

DIMENSIONS inches [mm]



Please use the markings on the housing to properly connect this part for normal operation.

ORDERING INFORMATION

DIFFUSED LENS

Part Number	Tri-Color	Voltage (V DC)	Current (mA)	Intensity Typ. (mcd)
621-1121-304F	<ul style="list-style-type: none"> ● Red ● Green ● Blue 	3	15	<ul style="list-style-type: none"> ● Red 200 ● Green 250 ● Blue 300
621-1122-304F		6		
621-1123-304F		12		
621-1124-304F		24		
621-1141-304F	<ul style="list-style-type: none"> ● Red ● Green ● Yellow 	3	15	<ul style="list-style-type: none"> ● Red 115 ● Green 110 ● Yellow 435
621-1142-304F		6		
621-1143-304F		12		
621-1144-304F		24		

CLEAR LENS

621-1121-314F	<ul style="list-style-type: none"> ● Red ● Green ● Blue 	3	15	<ul style="list-style-type: none"> ● Red 200 ● Green 250 ● Blue 300
621-1122-314F		6		
621-1123-314F		12		
621-1124-314F		24		
621-1141-314F	<ul style="list-style-type: none"> ● Red ● Green ● Yellow 	3	15	<ul style="list-style-type: none"> ● Red 115 ● Green 110 ● Yellow 435
621-1142-314F		6		
621-1143-314F		12		
621-1144-314F		24		



Dialight reserves the right to make changes at any time in order to supply the best product possible. The most current version of this document will always be available at: www.dialightsignalsandcomponents.com

Warranty Statement: Except for the warranty expressly provided for at: www.dialight.com/resources/warranties/, Dialight disclaims any and all other warranties, express or implied, including, without limitation, any warranties of merchantability, fitness for a particular purpose, title, and noninfringement.



622 SERIES 22 mm Heavy Duty Panel Mount Indicators

MECHANICAL / SPECIFICATIONS

MOUNTING HOLE SIZE:
0.866" (22 mm)

MAX PANEL THICKNESS:
0.394" (10 mm)

MOUNTING TORQUE:
7.01 lbs-ft (9.5 Nm)

OPERATING VOLTAGE:
3 VDC (external resistor required)
6, 12 & 24 VDC
(internal resistor included)

OPERATING TEMP:
-25 °C to +70 °C (-13 °F to 158 °F)

STORAGE TEMP:
-25 °C to +70 °C (-13 °F to 158 °F)

ELECTRICAL CONNECTION:
Screw terminals

HOUSING:
Stainless Steel

NUT:
Stainless Steel

CERTIFICATIONS & RATINGS

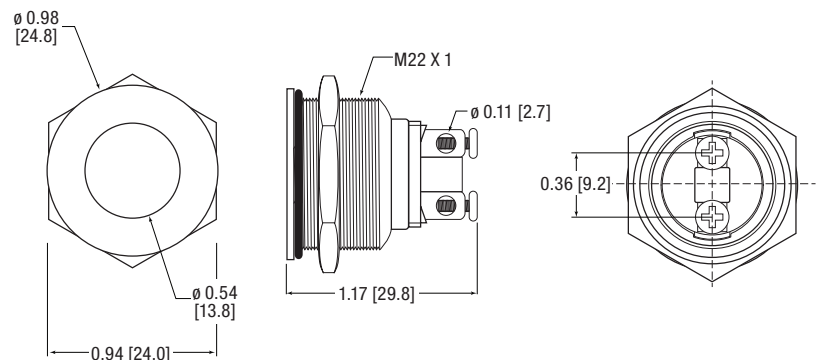
RoHS compliant
IP66/IP67
IK10
NEMA 4X

APPLICATION

The 622 Series Heavy Duty LED Panel Mount Indicators are elegantly designed for a high-end aesthetic paired with sturdy construction. These indicators are non-magnetic, corrosion resistant for both indoor and outdoor use, and secured to prevent dirt, dust, and water penetration. Ideal for a variety of applications such as:

- Main power indication
- Remote power indication
- Status indication
- Maintenance and warning indication
- Instrumentation

DIMENSIONS inches [mm]



These indicators are un-polarized

ORDERING INFORMATION

Part Number	Color	Voltage (VDC)	Current (mA)	Typical Intensity (mcd)
622-1101-304F	● Red	3	15	200
622-1201-304F	● Green			250
622-1301-304F	● Yellow			350
622-1401-304F	● Blue			300
622-1102-304F	● Red	6		200
622-1202-304F	● Green			250
622-1302-304F	● Yellow			350
622-1402-304F	● Blue			300
622-1103-304F	● Red	12		200
622-1203-304F	● Green			250
622-1303-304F	● Yellow			350
622-1403-304F	● Blue			300
622-1104-304F	● Red	24	200	
622-1204-304F	● Green		250	
622-1304-304F	● Yellow		350	
622-1404-304F	● Blue		300	



Dialight reserves the right to make changes at any time in order to supply the best product possible. The most current version of this document will always be available at: www.dialightsignalsandcomponents.com

Warranty Statement: Except for the warranty expressly provided for at: www.dialight.com/resources/warranties/, Dialight disclaims any and all other warranties, express or implied, including, without limitation, any warranties of merchantability, fitness for a particular purpose, title, and noninfringement.



623 SERIES 30mm Heavy Duty Panel Mount Indicators

MECHANICAL / SPECIFICATIONS

MOUNTING HOLE SIZE:
1.18" (30 mm)

MAX PANEL THICKNESS:
0.394" (10 mm)

MOUNTING TORQUE:
7.01 lbs-ft (9.5 Nm)

SPECIFICATIONS

OPERATING VOLTAGE:
3 VDC (external resistor required)
6, 12 & 24 VDC
(internal resistor included)

OPERATING TEMP:
-25 °C to +70 °C (-13 °F to 158 °F)

STORAGE TEMP:
-25 °C to +70 °C (-13 °F to 158 °F)

ELECTRICAL CONNECTION:

Screw terminals

HOUSING:
Stainless Steel

NUT:
Stainless Steel

CERTIFICATIONS & RATINGS

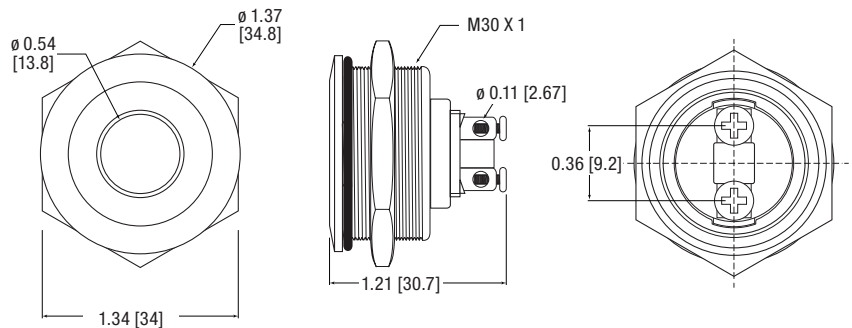
RoHS compliant
IP66/IP67
IK10
NEMA 4X

APPLICATION

The 623 Series Heavy Duty LED Panel Mount Indicators are elegantly designed for a high-end aesthetic paired with sturdy construction. These indicators are non-magnetic, corrosion resistant for both indoor and outdoor use, and secured to prevent dirt, dust, and water penetration. Ideal for a variety of applications such as:

- Main power indication
- Remote power indication
- Status indication
- Maintenance and warning indication
- Instrumentation

DIMENSIONS inches [mm]



These indicators are un-polarized

ORDERING INFORMATION

Part Number	Color	Voltage (VDC)	Current (mA)	Typical Intensity (mcd)
623-1101-304F	Red	3	15	200
623-1201-304F	Green			250
623-1301-304F	Yellow			350
623-1401-304F	Blue			300
623-1102-304F	Red	6		200
623-1202-304F	Green			250
623-1302-304F	Yellow			350
623-1402-304F	Blue			300
623-1103-304F	Red	12		200
623-1203-304F	Green			250
623-1303-304F	Yellow			350
623-1403-304F	Blue			300
623-1104-304F	Red	24	200	
623-1204-304F	Green		250	
623-1304-304F	Yellow		350	
623-1404-304F	Blue		300	



Dialight reserves the right to make changes at any time in order to supply the best product possible. The most current version of this document will always be available at: www.dialightsignalsandcomponents.com

Warranty Statement: Except for the warranty expressly provided for at: www.dialight.com/resources/warranties/, Dialight disclaims any and all other warranties, express or implied, including, without limitation, any warranties of merchantability, fitness for a particular purpose, title, and noninfringement.



624 SERIES

12mm Heavy Duty Tri-Color Panel Mount Indicators

MECHANICAL / SPECIFICATIONS

MOUNTING HOLE SIZE:
.492" (12.5mm)

MAX PANEL THICKNESS:
.197" (5mm)

MOUNTING TORQUE:
8 lbs-in (1Nm)

OPERATING VOLTAGE:
3VDC, 12VDC, 24VDC

OPERATING TEMP:
-40°C - 70°C (-40°F - 158°F)

STORAGE TEMP:
-40°C - 70°C (-40°F - 158°F)

ELECTRICAL CONNECTION:
26AWG UL1007 rated wire or terminals
Common cathode

HOUSING:
Stainless steel

TERMINALS:
Gold plated Brass Terminals
accept 20-26AWG wire

NUTS:
Stainless steel

CERTIFICATIONS & RATINGS

RoHS compliant
IP67
IK10

FEATURES & BENEFITS

- RoHS Compliant
- IP67 rating
- IK10 rating
- RGB or RGY options
- High brightness level for increasing visibility

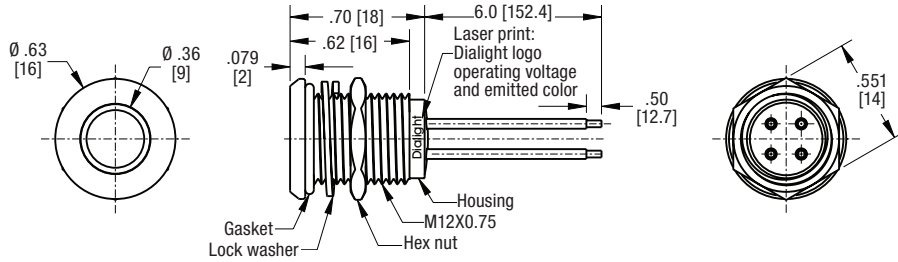
APPLICATION

The 624 Series Heavy Duty LED Panel Mount Indicators are elegantly designed for a high-end aesthetic paired with sturdy construction. These indicators are nonmagnetic, corrosion resistant for both indoor and outdoor use, and secured to prevent dirt, dust, and water penetration. Ideal for a variety of applications such as:

- Main power indication
- Remote power indication
- Status indication
- Maintenance and warning indication
- Instrumentation
- ... and many more!

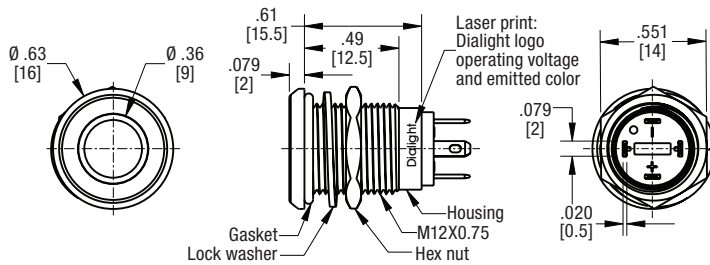
DIMENSIONS inches [mm]

WIRES



Black wire: Cathode (-)
 Red wire: Red anode
 Green wire: Green anode
 Yellow wire: Yellow anode
 Blue wire: Blue anode

TERMINALS



Parts with terminals contain labeling on bushing.

ORDERING INFORMATION

Part Number Wires	Part Number Terminals	Color	Voltage (VDC)	Lens	Current (mA)	Typical Intensity (mcd)
624-1121-317F	624-1121-314F	● Red ● Green ● Blue	3V	Transparent, Flat	15mA	3500
624-1123-317F	624-1123-314F		12V			5000
624-1124-317F	624-1124-314F		24V			1000
624-1141-317F	624-1141-314F	● Red ● Green ● Yellow	3V			3000
624-1143-317F	624-1143-314F		12V			2500
624-1144-317F	624-1144-314F		24V			3000



Dialight reserves the right to make changes at any time in order to supply the best product possible. The most current version of this document will always be available at: www.dialightsignalsandcomponents.com

Warranty Statement: Except for the warranty expressly provided for at: www.dialight.com/resources/warranties/, Dialight disclaims any and all other warranties, express or implied, including, without limitation, any warranties of merchantability, fitness for a particular purpose, title, and noninfringement.



625 SERIES

16mm Heavy Duty Tri-Color Panel Mount Indicators

MECHANICAL / SPECIFICATIONS

MOUNTING HOLE SIZE:
.637" (16.2mm)

MAX PANEL THICKNESS:
.197" (5mm)

MOUNTING TORQUE:
8 lbs-in (1Nm)

OPERATING VOLTAGE:
3VDC, 12VDC, 24VDC

OPERATING TEMP:
-40°C - 70°C (-40°F - 158°F)

STORAGE TEMP:
-40°C - 70°C (-40°F - 158°F)

ELECTRICAL CONNECTION:
22AWG UL1007 rated wire or terminals
Common cathode

HOUSING:
Stainless steel

TERMINALS:
Gold plated brass terminals
that accept 20-26AWG wire

NUTS:
Stainless steel

CERTIFICATIONS & RATINGS

RoHS compliant
IP67
IK10

FEATURES & BENEFITS

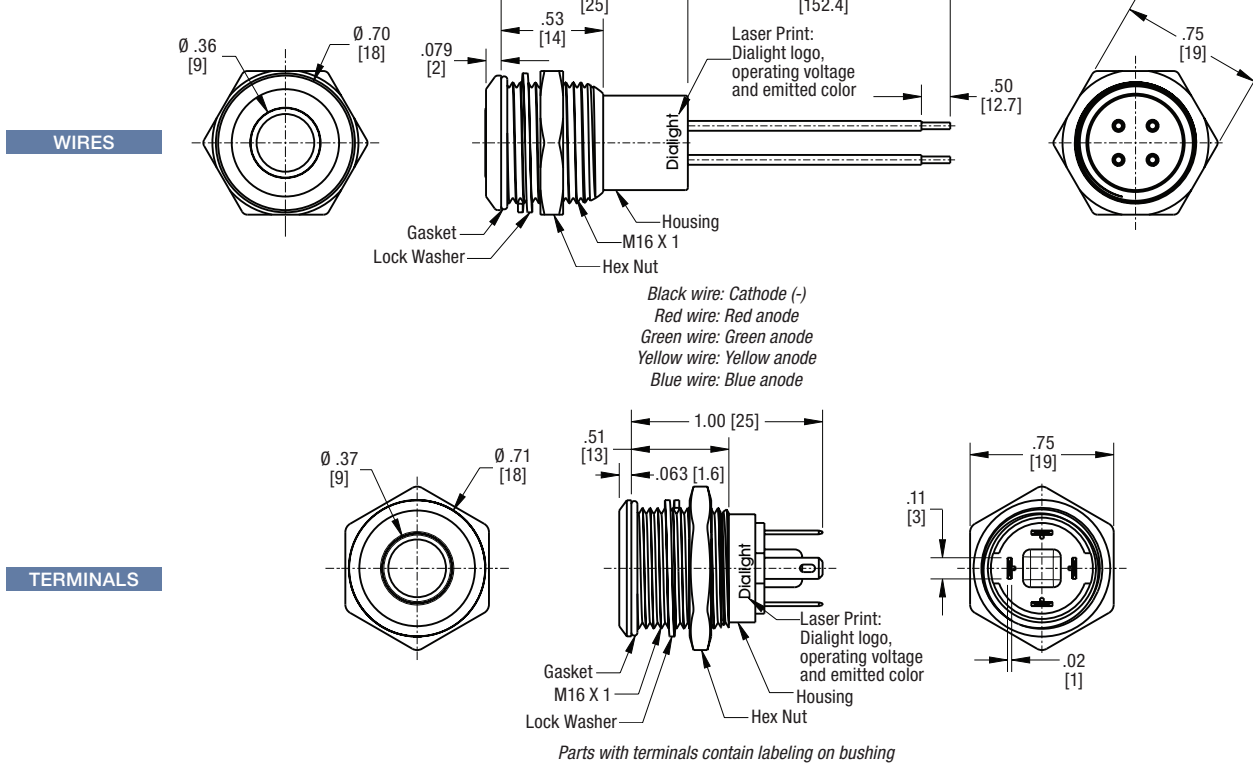
- RoHS compliant
- IP67 rating
- IK10 rating
- RGY and RGB options
- Transparent or diffused lens options

APPLICATION

The 625 Series Heavy Duty LED Panel Mount Indicators are elegantly designed for a high-end aesthetic paired with sturdy construction. These indicators are nonmagnetic, corrosion resistant for both indoor and outdoor use, and secured to prevent dirt, dust, and water penetration. Ideal for a variety of applications such as:

- Main power indication
 - Remote power indication
 - Status indication
 - Maintenance and warning indication
 - Instrumentation
- ... and many more!

DIMENSIONS inches [mm]



ORDERING INFORMATION

WIRES

Part Number	Color	Voltage (VDC)	Lens	Current (mA)	Typical Intensity (mcd)
625-1121-307F	● Red ● Green ● Blue	3V	Diffused, Flat	15mA	200
625-1123-307F		12V			500
625-1124-307F		24V			200
625-1141-307F	● Red ● Green ● Yellow	3V			200
625-1143-307F		12V			500
625-1144-307F		24V			200

TERMINALS

Part Number	Color	Voltage (VDC)	Lens	Current (mA)	Typical Intensity (mcd)
625-1121-314F	● Red ● Green ● Blue	3V	Transparent, Flat	15mA	3000
625-1123-314F		12V			5000
625-1124-314F		24V			1000
625-1141-314F	● Red ● Green ● Yellow	3V			3500
625-1143-314F		12V			2500
625-1144-314F		24V			3000



Dialight reserves the right to make changes at any time in order to supply the best product possible. The most current version of this document will always be available at: www.dialightsignalsandcomponents.com

Warranty Statement: Except for the warranty expressly provided for at: www.dialight.com/resources/warranties/, Dialight disclaims any and all other warranties, express or implied, including, without limitation, any warranties of merchantability, fitness for a particular purpose, title, and noninfringement.



630 SERIES 30mm Panel Mount Indicators

MECHANICAL / SPECIFICATIONS

MOUNTING HOLE SIZE: 1.18" (30 mm)

MAX PANEL THICKNESS:

Flat: 0.575" (14.6 mm)

Dome: 0.375" (9.53 mm)

MOUNTING TORQUE: 40 in-lbs

VOLTAGE OPTIONS:

12 & 24 VDC, and 120 VAC

(no resistor required)

OPERATING TEMP:

-30 °C to +85 °C (-22 °F to +185 °F)

STORAGE TEMP:

-40 °C to +100 °C (-40 °F to +212 °F)

ELECTRICAL CONNECTION: 6-32 screw terminals

HOUSING:

Brass-White Nickel Plated

TERMINALS:

Brass-Hot solder dip
per Mil-F-14072D, M258, Type II

LENS MATERIAL:

Transparent Polycarbonate (UL 94-0)

LOCK WASHER: Phosphor Bronze-Nickel Plated

NUT: Brass-Nickel Plated

CERTIFICATIONS & RATINGS

UL 1598 (E156890)

IP66

NEMA 4X

RoHS Compliant w/6C exemption

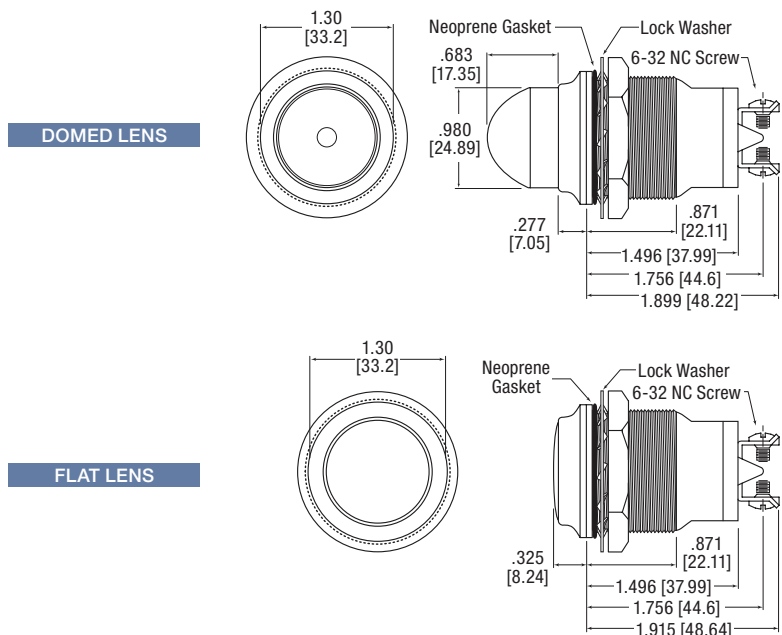
IK07

APPLICATION

The 630 Series LED Panel Mount Indicators incorporate both InGaN and AlInGaP technologies to offer maximum light output. This is a highly durable package, designed to withstand outdoor applications susceptible to rain, dust and sunlight:

- Instrument panels
- Safety applications
- UL 508 panel applications
- Petrochemical applications
- Environmental monitoring equipment specifications
- Pump system controllers
- Mining application
- Oil refineries
- Agricultural controls
- Power generators
- and many more!

DIMENSIONS inches [mm]



ORDERING INFORMATION

FLAT LENS

Dialight P/N	Color	Voltage (VDC)	Current (mA)	Typical Intensity (mcd)
630-1003-304F	○ White	12 VDC	60	61,000
630-1503-304F	● Red		95	22,000
630-1603-304F	● Green		60	41,500
630-1703-304F	● Yellow		95	13,500
630-1803-304F	● Blue		60	13,000
630-1004-304F	○ White	24 VDC	32	61,000
630-1504-304F	● Red		46	22,000
630-1604-304F	● Green		32	41,500
630-1704-304F	● Yellow		95	13,500
630-1804-304F	● Blue		32	13,000
630-1005-304F	○ White	120 VAC	9.5	35,000
630-1505-304F	● Red		10.5	8,000
630-1605-304F	● Green		9.5	29,000
630-1705-304F	● Yellow		95	5,750
630-1805-304F	● Blue		9.5	7,750

DOMED LENS

630-3003-304F	○ White	12 VDC	60	17,000
630-3503-304F	● Red		95	14,000
630-3603-304F	● Green		60	14,000
630-3703-304F	● Yellow		95	4,000
630-3803-304F	● Blue		60	12,000
630-3004-304F	○ White	24 VDC	32	17,000
630-3504-304F	● Red		46	14,000
630-3604-304F	● Green		32	14,000
630-3704-304F	● Yellow		95	4,000
630-3804-304F	● Blue		32	12,000
630-3005-304F	○ White	120 VAC	9.5	10,250
630-3505-304F	● Red		10.5	2,500
630-3605-304F	● Green		9.5	9,500
630-3705-304F	● Yellow		95	1,750
630-3805-304F	● Blue		9.5	3,000



Dialight reserves the right to make changes at any time in order to supply the best product possible. The most current version of this document will always be available at: www.dialightsignalsandcomponents.com

Warranty Statement: Except for the warranty expressly provided for at: www.dialight.com/resources/warranties/, Dialight disclaims any and all other warranties, express or implied, including, without limitation, any warranties of merchantability, fitness for a particular purpose, title, and noninfringement.

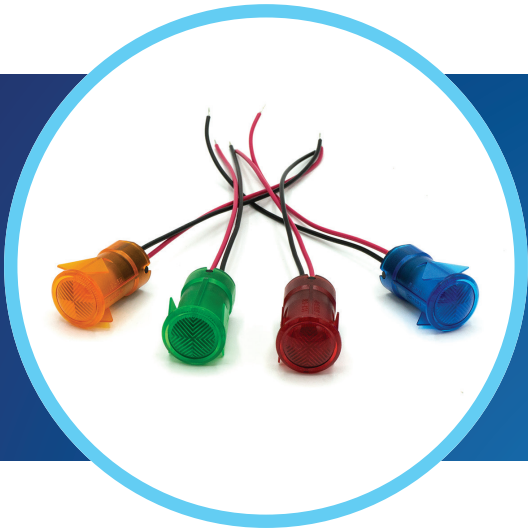
ORDERING INFORMATION

Part Number	Color	Voltage (VDC)	Current (mA)	Typical Intensity (mcd)
653-1103-103F	● Red	12	20	845
653-1203-103F	● Green			600
653-1303-103F	● Yellow			465
653-1403-103F	● Blue			390
653-1104-103F	● Red	24		845
653-1204-103F	● Green			600
653-1304-103F	● Yellow			465
653-1404-103F	● Blue			390



Dialight reserves the right to make changes at any time in order to supply the best product possible. The most current version of this document will always be available at: www.dialightsignalsandcomponents.com

Warranty Statement: Except for the warranty expressly provided for at: www.dialight.com/resources/warranties/, Dialight disclaims any and all other warranties, express or implied, including, without limitation, any warranties of merchantability, fitness for a particular purpose, title, and noninfringement.



654 SERIES Snap-In Panel Mount Indicators

MECHANICAL / SPECIFICATIONS

MOUNTING HOLE SIZE:
0.657" (16.7 mm)

MAX PANEL THICKNESS:
0.138" (3.5 mm)

VOLTAGE OPTIONS:
12 & 24 VDC (no resistor required)

OPERATING TEMP:
-20 °C to +80 °C (-4 °F to +176 °F)

STORAGE TEMP:
-20 °C to +80 °C (-4 °F to +176 °F)

ELECTRICAL CONNECTION:
5" wire leads

HOUSING:
Polycarbonate

WIRE LEADS:
22 AWG

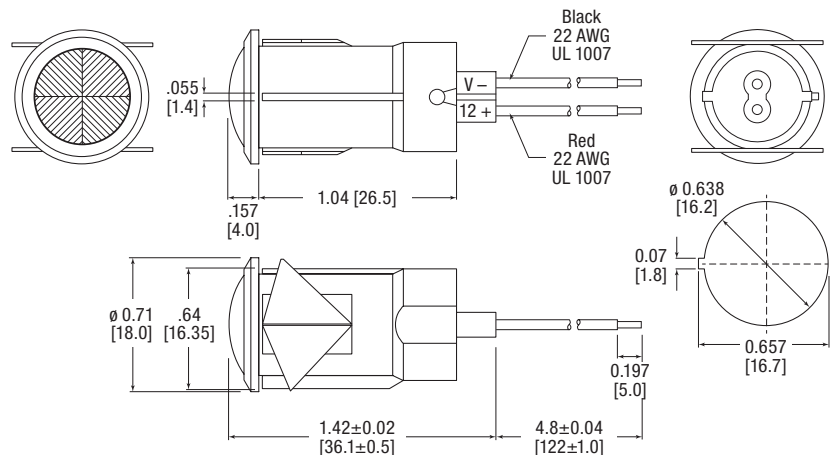
CERTIFICATIONS & RATINGS
RoHS compliant

APPLICATION

The 654 Series LED Panel Mount Indicators are designed with the unique feature of flexible tabs that allow for mounting to panels of thicknesses ranging from 0.027" (0.7 mm) to 0.138" (3.5 mm). They are ideal for a variety of applications, such as:

- Main power indication
- Remote power indication
- Status indication
- Maintenance and warning indication
- Instrumentation

DIMENSIONS inches [mm]



ORDERING INFORMATION

Dialight P/N	Color	Voltage (VDC)	Current (mA)	Typical Intensity (mcd)
654-1103-103F	● Red	12	20	845
654-1203-103F	● Green			600
654-1303-103F	● Yellow			465
654-1403-103F	● Blue			390
654-1104-103F	● Red	24		845
654-1204-103F	● Green			600
654-1304-103F	● Yellow			465
654-1404-103F	● Blue			390



Dialight reserves the right to make changes at any time in order to supply the best product possible. The most current version of this document will always be available at: www.dialightsignalsandcomponents.com

Warranty Statement: Except for the warranty expressly provided for at: www.dialight.com/resources/warranties/, Dialight disclaims any and all other warranties, express or implied, including, without limitation, any warranties of merchantability, fitness for a particular purpose, title, and noninfringement.



655 SERIES 1/2" Snap-In Panel Mount Indicators

MECHANICAL / SPECIFICATIONS

MOUNTING HOLE SIZE:
0.50" (12.7 mm)

MAX PANEL THICKNESS:
0.138" (3.5 mm) (Domed Lens);
0.216" (5.5 mm) (Flat Lens)

VOLTAGE OPTIONS:
12 & 24 VDC and 120 & 230 VAC
(Flat Lens only), no resistor required

OPERATING TEMP:
-20 °C to +85 °C (-4 °F to +185 °F)

STORAGE TEMP:
-20 °C to +85 °C (-4 °F to +185 °F)

ELECTRICAL CONNECTION:
250 Faston quick connect terminals
(Flat Lens only) or wire leads

HOUSING:
Polycarbonate

TERMINALS:
Brass—Nickel Plated (Flat Lens only)

WIRE LEADS:
18 AWG (Flat Lens),
26 AWG (Domed Lens)

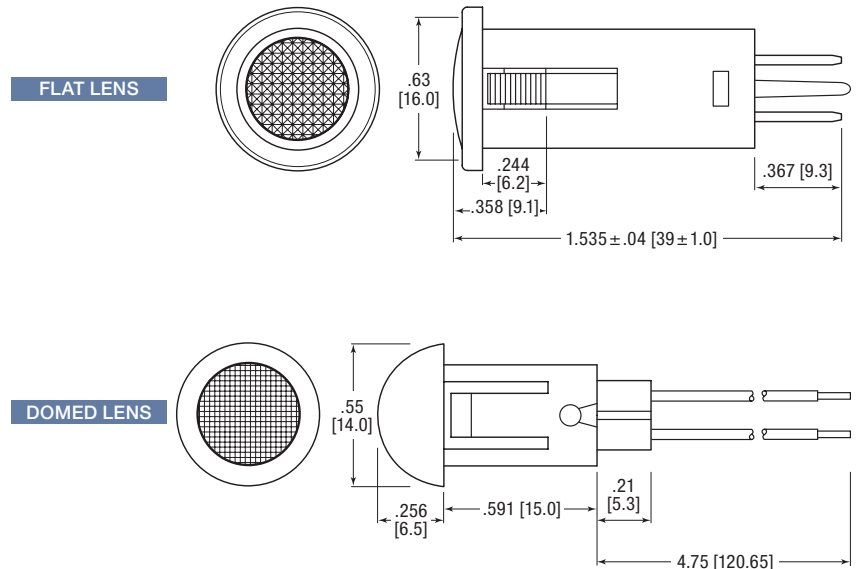
CERTIFICATIONS & RATINGS
RoHS compliant

APPLICATION

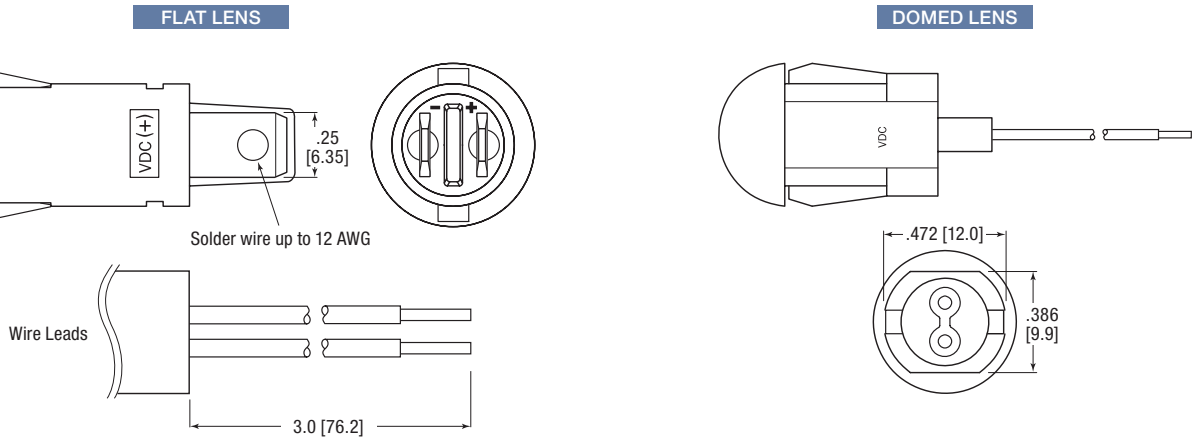
The 655 Series LED Panel Mount Indicators are designed for a variety of applications such as:

- Main power indication
- Remote power indication
- Status indication
- Maintenance and warning indication
- Instrumentation

DIMENSIONS inches [mm]



DIMENSIONS inches [mm]



ORDERING INFORMATION

Dialight P/N		Color	Voltage (V DC)	Current (mA)	Typical Intensity (mcd)
Wire Leads	Solder Terminals				

Flat Lens

655-1103-103F	655-1103-104F	● Red	12	20	270
655-1203-103F	655-1203-104F	● Green			700
655-1303-103F	655-1303-104F	● Yellow			200
655-1403-103F	655-1403-104F	● Blue			100
655-1104-103F	655-1104-104F	● Red	24		270
655-1204-103F	655-1204-104F	● Green			700
655-1304-103F	655-1304-104F	● Yellow			200
655-1404-103F	655-1404-104F	● Blue			100

Domed Lens

655-2103-103F	NA	● Red	12	20	3000
655-2203-103F	NA	● Green			2500
655-2303-103F	NA	● Yellow			1500
655-2403-103F	NA	● Blue			700
655-2104-103F	NA	● Red	24		3000
655-2204-103F	NA	● Green			2500
655-2304-103F	NA	● Yellow			1500
655-2404-103F	NA	● Blue			700



Dialight reserves the right to make changes at any time in order to supply the best product possible. The most current version of this document will always be available at: www.dialightsignalsandcomponents.com

Warranty Statement: Except for the warranty expressly provided for at: www.dialight.com/resources/warranties/, Dialight disclaims any and all other warranties, express or implied, including, without limitation, any warranties of merchantability, fitness for a particular purpose, title, and noninfringement.



656 SERIES

High Intensity LED Panel Mount Indicators

MECHANICAL / SPECIFICATIONS

MOUNTING HOLE SIZE:
0.500" (12.7 mm)

MAX PANEL THICKNESS:
0.450" (11.43 mm)

MOUNTING TORQUE:
5 in-lbs

VOLTAGE OPTIONS:
5 to 125VDC and 125, 230VAC
(bi-color 5, 12, 24 VDC)
(no resistor required)

OPERATING TEMP:
-30 °C to +85 °C (22 °F to +185 °F)

STORAGE TEMP:
-40 °C to +100 °C (-40 °F to +212 °F)

ELECTRICAL CONNECTION:
110 Faston quick connect terminals
or 6" wire leads

HOUSING: Brass-White or Black Nickel Plated

LENS MATERIAL:
Transparent polycarbonate (UL 94V-0)

WIRE LEADS: 18 AWG

LOCK WASHER:
Bronze-White or Black Nickel Plated

NUT: Brass-White or Black Nickel Plated

CERTIFICATIONS & RATINGS

UL 508 (E156890) – UL Listed; Terminals – UL recognized

NEMA 4X
IP66/67

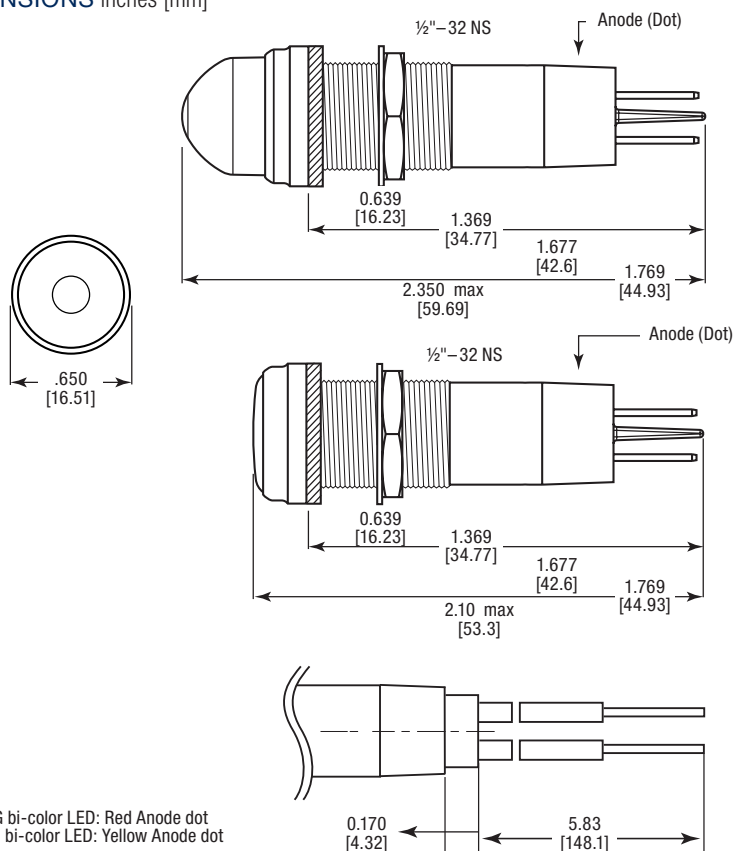
RoHS compliant – w/6C exemption

APPLICATION

The 656 Series LED Panel Mount Indicators are designed for a variety of applications such as:

- Flow controls
- Instrument panels
- Industrial controls
- Transportation: rail, bus, airline
- Pump panels
- Vending/gaming

DIMENSIONS inches [mm]



ORDERING INFORMATION

BI-COLOR

Flat Lens

Part #—with Wire Leads		Part #—with Blade Terminals		Color	Voltage (VDC)	Typ Current (mA)	Typical Intensity (mcd)
White Nickel Plating	Black Nickel Plating	White Nickel Plating	Black Nickel Plating				
656-1122-303F	656-1122-203F	656-1122-304F	656-1122-204F	● Red ● Green	5	11/8	330/910
656-1322-303F	656-1322-203F	656-1322-304F	656-1322-204F	● Yellow ● Green			320/864
656-1123-303F	656-1123-203F	656-1123-304F	656-1123-204F	● Red ● Green	12	10/9	330/910
656-1323-303F	656-1323-203F	656-1323-304F	656-1323-204F	● Yellow ● Green			320/864
656-1124-303F	656-1124-203F	656-1124-304F	656-1124-204F	● Red ● Green	24	11/10	330/910
656-1324-303F	656-1324-203F	656-1324-304F	656-1324-204F	● Yellow ● Green			320/864

Domed Lens

Part #—with Wire Leads		Part #—with Blade Terminals		Color	Voltage (VDC)	Typ Current (mA)	Typical Intensity (mcd)
White Nickel Plating	Black Nickel Plating	White Nickel Plating	Black Nickel Plating				
656-3122-303F	656-3122-203F	656-3122-304F	656-3122-204F	● Red ● Green	5	11/8	490/1340
656-3322-303F	656-3322-203F	656-3322-304F	656-3322-204F	● Yellow ● Green			480/430
656-3123-303F	656-3123-203F	656-3123-304F	656-3123-204F	● Red ● Green	12	10/9	490/1340
656-3323-303F	656-3323-203F	656-3323-304F	656-3323-204F	● Yellow ● Green			480/430
656-3124-303F	656-3124-203F	656-3124-304F	656-3124-204F	● Red ● Green	24	11/10	490/1340
656-3324-303F	656-3324-203F	656-3324-304F	656-3324-204F	● Yellow ● Green			480/430



Dialight reserves the right to make changes at any time in order to supply the best product possible. The most current version of this document will always be available at: www.dialightsignalsandcomponents.com

Warranty Statement: Except for the warranty expressly provided for at: www.dialight.com/resources/warranties/, Dialight disclaims any and all other warranties, express or implied, including, without limitation, any warranties of merchantability, fitness for a particular purpose, title, and noninfringement.

SINGLE COLOR

Flat Lens

Part #--with Wire Leads		Part #--with Blade Terminals		Color	Voltage	Typ Current (mA)	Typical Intensity (mcd)
White Nickel Plating	Black Nickel Plating	White Nickel Plating	Black Nickel Plating				
656-1002-303F	656-1002-203F	656-1002-304F	656-1002-204F	○ White	5 (VDC)	15	1510
656-1102-303F	656-1102-203F	656-1102-304F	656-1102-204F	● Red		16	1150
656-1202-303F	656-1202-203F	656-1202-304F	656-1202-204F	● Green		15	1600
656-1302-303F	656-1302-203F	656-1302-304F	656-1302-204F	● Yellow		16	990
656-1352-303F	656-1352-203F	656-1352-304F	656-1352-204F	● Orange		16	1800
656-1402-303F	656-1402-203F	656-1402-304F	656-1402-204F	● Blue		15	237
656-1003-303F	656-1003-203F	656-1003-304F	656-1003-204F	○ White	12 (VDC)	18	1310
656-1103-303F	656-1103-203F	656-1103-304F	656-1103-204F	● Red		18	1100
656-1203-303F	656-1203-203F	656-1203-304F	656-1203-204F	● Green		16	1140
656-1303-303F	656-1303-203F	656-1303-304F	656-1303-204F	● Yellow		18	880
656-1353-303F	656-1353-203F	656-1353-304F	656-1353-204F	● Orange		18	1800
656-1403-303F	656-1403-203F	656-1403-304F	656-1403-204F	● Blue		16	290
656-1004-303F	656-1004-203F	656-1004-304F	656-1004-204F	○ White	24 (VDC)	20	1310
656-1104-303F	656-1104-203F	656-1104-304F	656-1104-204F	● Red			1100
656-1204-303F	656-1204-203F	656-1204-304F	656-1204-204F	● Green			1140
656-1304-303F	656-1304-203F	656-1304-304F	656-1304-204F	● Yellow			880
656-1354-303F	656-1354-203F	656-1354-304F	656-1354-204F	● Orange			1800
656-1404-303F	656-1404-203F	656-1404-304F	656-1404-204F	● Blue			290
656-1006-303F	656-1006-203F	656-1006-304F	656-1006-204F	○ White	28 (VDC)	19	1310
656-1106-303F	656-1106-203F	656-1106-304F	656-1106-204F	● Red		19	1100
656-1206-303F	656-1206-203F	656-1206-304F	656-1206-204F	● Green		18	1140
656-1306-303F	656-1306-203F	656-1306-304F	656-1306-204F	● Yellow		19	880
656-1356-303F	656-1356-203F	656-1356-304F	656-1356-204F	● Orange		19	1800
656-1406-303F	656-1406-203F	656-1406-304F	656-1406-204F	● Blue		18	290
656-1008-303F	656-1008-203F	656-1008-304F	656-1008-204F	○ White	37.5 (VDC)	8.5	400
656-1108-303F	656-1108-203F	656-1108-304F	656-1108-204F	● Red			230
656-1208-303F	656-1208-203F	656-1208-304F	656-1208-204F	● Green			450
656-1308-303F	656-1308-203F	656-1308-304F	656-1308-204F	● Yellow			190
656-1358-303F	656-1358-203F	656-1358-304F	656-1358-204F	● Orange			835
656-1408-303F	656-1408-203F	656-1408-304F	656-1408-204F	● Blue			100
656-110A-303F		656-110A-304F		● Red	48 (VDC)	10	230
656-120A-303F		656-120A-304F		● Green			450
656-130A-303F		656-130A-304F		● Yellow			190
656-1007-303F	656-1007-203F	656-1007-304F	656-1007-204F	○ White	72 (VDC)	8.5	400
656-1107-303F	656-1107-203F	656-1107-304F	656-1107-204F	● Red			230
656-1207-303F	656-1207-203F	656-1207-304F	656-1207-204F	● Green			450
656-1307-303F	656-1307-203F	656-1307-304F	656-1307-204F	● Yellow			190
656-1357-303F	656-1357-203F	656-1357-304F	656-1357-204F	● Orange			835
656-1407-303F	656-1407-203F	656-1407-304F	656-1407-204F	● Blue			100
656-1005-303F		656-1005-304F		○ White	120 (VAC/ VDC)	5	400
656-1105-303F		656-1105-304F		● Red			230
656-1205-303F		656-1205-304F		● Green			450
656-1305-303F		656-1305-304F		● Yellow			190
656-1355-303F		656-1355-304F		● Orange			260
656-1405-303F		656-1405-304F		● Blue			100
656-1009-303F		656-1009-304F		○ White	230 (VAC)	3	400
656-1109-303F		656-1109-304F		● Red			230
656-1209-303F		656-1209-304F		● Green			450
656-1309-303F		656-1309-304F		● Yellow			190
656-1359-303F		656-1359-304F		● Orange			260
656-1409-303F		656-1409-304F		● Blue			100

SINGLE COLOR

Domed Lens

Part #--with Wire Leads		Part #--with Blade Terminals		Color	Voltage	Typ Current (mA)	Typical Intensity (mcd)
White Nickel Plating	Black Nickel Plating	White Nickel Plating	Black Nickel Plating				
656-3002-303F	656-3002-203F	656-3002-304F	656-3002-204F	○ White	5 (VDC)	15	3080
656-3102-303F	656-3102-203F	656-3102-304F	656-3102-204F	● Red		16	2200
656-3202-303F	656-3202-203F	656-3202-304F	656-3202-204F	● Green		15	2880
656-3302-303F	656-3302-203F	656-3302-304F	656-3302-204F	● Yellow		16	1960
656-3352-303F	656-3352-203F	656-3352-304F	656-3352-204F	● Orange		16	4400
656-3402-303F	656-3402-203F	656-3402-304F	656-3402-204F	● Blue		15	600
656-3003-303F	656-3003-203F	656-3003-304F	656-3003-204F	○ White	12 (VDC)	18	2340
656-3103-303F	656-3103-203F	656-3103-304F	656-3103-204F	● Red		18	2000
656-3203-303F	656-3203-203F	656-3203-304F	656-3203-204F	● Green		16	2110
656-3303-303F	656-3303-203F	656-3303-304F	656-3303-204F	● Yellow		18	1080
656-3353-303F	656-3353-203F	656-3353-304F	656-3353-204F	● Orange		18	4400
656-3403-303F	656-3403-203F	656-3403-304F	656-3403-204F	● Blue		16	640
656-3004-303F	656-3004-203F	656-3004-304F	656-3004-204F	○ White	24 (VDC)	20	2340
656-3104-303F	656-3104-203F	656-3104-304F	656-3104-204F	● Red			2000
656-3204-303F	656-3204-203F	656-3204-304F	656-3204-204F	● Green			2110
656-3304-303F	656-3304-203F	656-3304-304F	656-3304-204F	● Yellow			1080
656-3354-303F	656-3354-203F	656-3354-304F	656-3354-204F	● Orange			4400
656-3404-303F	656-3404-203F	656-3404-304F	656-3404-204F	● Blue			640
656-3006-303F	656-3006-203F	656-3006-304F	656-3006-204F	○ White	28 (VDC)	19	2340
656-3106-303F	656-3106-203F	656-3106-304F	656-3106-204F	● Red		19	2000
656-3206-303F	656-3206-203F	656-3206-304F	656-3206-204F	● Green		18	2110
656-3306-303F	656-3306-203F	656-3306-304F	656-3306-204F	● Yellow		19	1080
656-3356-303F	656-3356-203F	656-3356-304F	656-3356-204F	● Orange		19	4400
656-3406-303F	656-3406-203F	656-3406-304F	656-3406-204F	● Blue		18	640
656-3008-303F	656-3008-203F	656-3008-304F	656-3008-204F	○ White	37.5 (VDC)		660
656-3108-303F	656-3108-203F	656-3108-304F	656-3108-204F	● Red			410
656-3208-303F	656-3208-203F	656-3208-304F	656-3208-204F	● Green			800
656-3308-303F	656-3308-203F	656-3308-304F	656-3308-204F	● Yellow			390
656-3358-303F	656-3358-203F	656-3358-304F	656-3358-204F	● Orange			2000
656-3408-303F	656-3408-203F	656-3408-304F	656-3408-204F	● Blue			220
656-310A-303F		656-310A-304F		● Red	48 (VDC)	10	410
656-320A-303F		656-320A-304F		● Green			800
656-330A-303F		656-330A-304F		● Yellow			390
656-3007-303F	656-3007-203F	656-3007-304F	656-3007-204F	○ White	72 (VDC)		660
656-3107-303F	656-3107-203F	656-3107-304F	656-3107-204F	● Red			410
656-3207-303F	656-3207-203F	656-3207-304F	656-3207-204F	● Green			800
656-3307-303F	656-3307-203F	656-3307-304F	656-3307-204F	● Yellow			390
656-3357-303F	656-3357-203F	656-3357-304F	656-3357-204F	● Orange			2000
656-3407-303F	656-3407-203F	656-3407-304F	656-3407-204F	● Blue			220
656-3005-303F		656-3005-304F		○ White	120 (VAC/ VDC)	5	660
656-3105-303F		656-3105-304F		● Red			410
656-3205-303F		656-3205-304F		● Green			800
656-3305-303F		656-3305-304F		● Yellow			390
656-3355-303F		656-3355-304F		● Orange			610
656-3405-303F		656-3405-304F		● Blue			220
656-3009-303F		656-3009-304F		○ White	230 (VAC)	3	660
656-3109-303F		656-3109-304F		● Red			410
656-3209-303F		656-3209-304F		● Green			800
656-3309-303F		656-3309-304F		● Yellow			390
656-3359-303F		656-3359-304F		● Orange			610
656-3409-303F		656-3409-304F		● Blue			220



657 SERIES

Bi- and Tri-Color Watertight Series Panel Mount Indicators

MECHANICAL / SPECIFICATIONS

- MOUNTING HOLE SIZE:
0.687" (17.46 mm)
- MAX PANEL THICKNESS:
0.350" (8.89 mm)
- MOUNTING TORQUE: 15 in-lbs
- VOLTAGE OPTIONS:
10-30 VDC (no resistor required)
- OPERATING TEMP:
-40 °C to +85 °C (-40 °F to +185 °F)
- STORAGE TEMP:
-40 °C to +100 °C (-40 °F to +212 °F)
- ELECTRICAL CONNECTION:
18 AWG anti-capillary wire,
Common Cathode
- HOUSING:
Polycarbonate (UL 94V-0)
- LENS MATERIAL:
Polycarbonate (UL 94V-0)
- WIRE LEADS:
6" – Wire color is the same color
as LED color; Black wire is
common ground
- LOCK WASHER:
White Nickel Plated Bronze
- NUT: White Nickel Plated Brass

CERTIFICATIONS & RATINGS

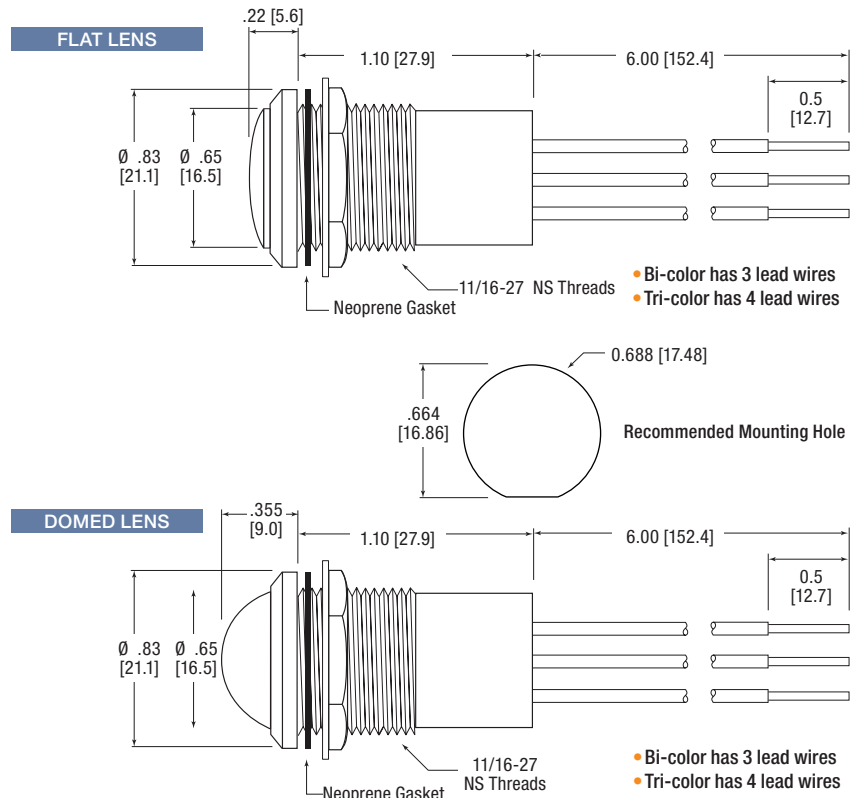
- RoHS compliant
- NEMA 4X
- IP67

APPLICATION

The 657 Series LED Panel Mount Indicators are designed with a highly durable watertight housing. These indicators are designed for a variety of applications such as:

- Aircraft and military vehicles
- Industrial panels
- Panel lights
- EV charging
- Boats and heavy duty vehicles
- Wastewater treatment controls

DIMENSIONS inches [mm]



ORDERING INFORMATION

FLAT

Part Number	LED Color	Lens Color	Typ. IF (mA)	Typ. VF (VDC)	Typical Intensity (mcd)
657-1415-303F	Red	White Diffused	20	10-30	270
	Green				515
657-1425-303F	Red				270
	Blue				90
657-1435-303F	Green				515
	Yellow				310
657-1455-303F	Red				270
	Yellow				310
657-1465-303F	Green				515
	Blue				90
657-1485-303F	Red				270
	Green				515
	Blue				90
657-1495-303F	Red				270
	Green				515
	Yellow				310

DOMED

Part Number	LED Color	Lens Color	Typ. IF (mA)	Typ. VF (VDC)	Typical Intensity (mcd)
657-2415-303F	Red	White Diffused	20	10-30	255
	Green				500
657-2425-303F	Red				255
	Blue				90
657-2435-303F	Green				500
	Yellow				260
657-2455-303F	Red				255
	Yellow				260
657-2465-303F	Green				500
	Blue				90
657-2485-303F	Red				255
	Green				500
	Blue				90
657-2495-303F	Red				255
	Green				500
	Yellow				260



Dialight reserves the right to make changes at any time in order to supply the best product possible. The most current version of this document will always be available at: www.dialightsignalsandcomponents.com

Warranty Statement: Except for the warranty expressly provided for at: www.dialight.com/resources/warranties/, Dialight disclaims any and all other warranties, express or implied, including, without limitation, any warranties of merchantability, fitness for a particular purpose, title, and noninfringement.



657 SERIES Watertight Series Panel Mount Indicators

MECHANICAL / SPECIFICATIONS

MOUNTING HOLE SIZE:
0.687" (17.46 mm)

MAX PANEL THICKNESS:
0.350" (8.89 mm)

MOUNTING TORQUE: 15 in-lbs

VOLTAGE OPTIONS:
5, 12, & 24 VDC
(no resistor required)

OPERATING TEMP:
-35 °C to +65 °C (-31 °F to +149 °F)

STORAGE TEMP:
-40 °C to +100 °C (-40 °F to +212 °F)

ELECTRICAL CONNECTION:
18 AWG anti-capillary wire
HOUSING: Polycarbonate (UL 94V-0)

LENS MATERIAL:
Polycarbonate (UL 94V-0)

WIRE LEADS: 6"

LOCK WASHER:
White Nickel Plated Bronze
NUT: White Nickel Plated Brass

CERTIFICATIONS & RATINGS

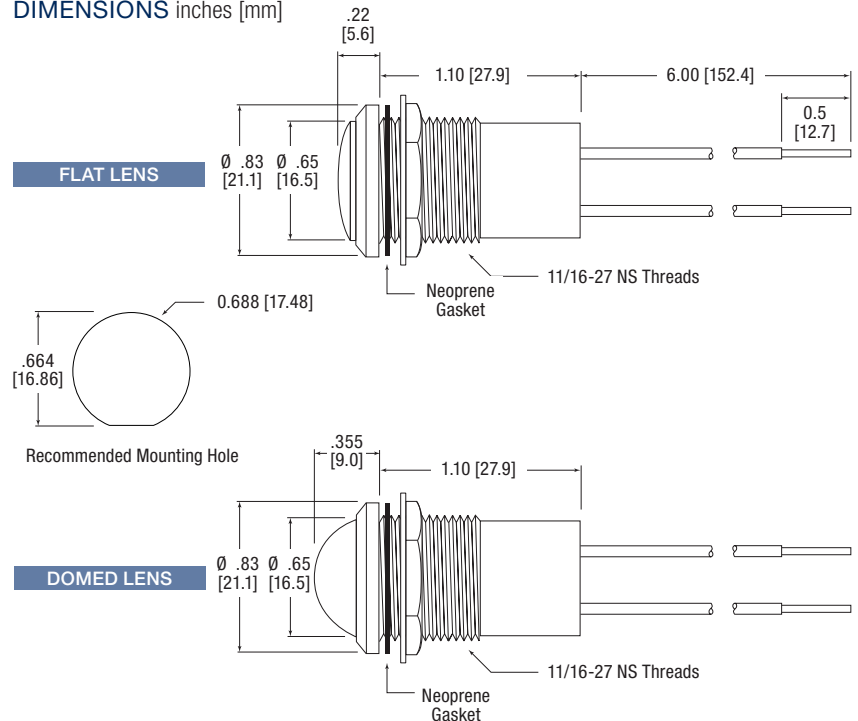
RoHS compliant
NEMA 4X
IP67

APPLICATION

The 657 Series LED Panel Mount Indicators are designed with a highly durable watertight housing. These indicators are designed for a variety of applications such as:

- Control panels
- Boats and heavy duty vehicles
- Military equipment
- Pilot lights
- Industrial panels
- Wastewater treatment controls
- Bus/transit vehicle dashboards
- Agricultural/construction equipment dashboards

DIMENSIONS inches [mm]



ORDERING INFORMATION

FLAT

Part Number			LED Color	Curr. (mA)	Typical Intensity (mcd)
5 VDC	12 VDC	24 VDC			
White Diffused Lens					
657-1002-303F	657-1003-303F	657-1004-303F	○ White	20	150
657-1502-303F	657-1503-303F	657-1504-303F	● Red		150
657-1602-303F	657-1603-303F	657-1604-303F	● Green		160
657-1702-303F	657-1703-303F	657-1704-303F	● Yellow		100
657-1802-303F	657-1803-303F	657-1804-303F	● Blue		75
657-1902-303F	657-1903-303F	657-1904-303F	● Orange		150

Tinted Diffused Lens

657-1502-103F	657-1503-103F	657-1504-103F	● Red	20	650
657-1602-103F	657-1603-103F	657-1604-103F	● Green		1150
657-1702-103F	657-1703-103F	657-1704-103F	● Yellow		550
657-1802-103F	657-1803-103F	657-1804-103F	● Blue		200
657-1902-103F	657-1903-103F	657-1904-103F	● Orange		700

DOMED

Part Number			LED Color	Curr. (mA)	Typical Intensity (mcd)
5 VDC	12 VDC	24 VDC			
White Diffused Lens					
657-2002-303F	657-2003-303F	657-2004-303F	○ White	20	85
657-2502-303F	657-2503-303F	657-2504-303F	● Red		115
657-2602-303F	657-2603-303F	657-2604-303F	● Green		150
657-2702-303F	657-2703-303F	657-2704-303F	● Yellow		115
657-2802-303F	657-2803-303F	657-2804-303F	● Blue		70
657-2902-303F	657-2903-303F	657-2904-303F	● Orange		100

Tinted Diffused Lens

657-2502-103F	657-2503-103F	657-2504-103F	● Red	20	900
657-2602-103F	657-2603-103F	657-2604-103F	● Green		1600
657-2702-103F	657-2703-103F	657-2704-103F	● Yellow		1250
657-2802-103F	657-2803-103F	657-2804-103F	● Blue		250
657-2902-103F	657-2903-103F	657-2904-103F	● Orange		1500



Dialight reserves the right to make changes at any time in order to supply the best product possible. The most current version of this document will always be available at: www.dialightsignalsandcomponents.com

Warranty Statement: Except for the warranty expressly provided for at: www.dialight.com/resources/warranties/, Dialight disclaims any and all other warranties, express or implied, including, without limitation, any warranties of merchantability, fitness for a particular purpose, title, and noninfringement.



657 SERIES Watertight Right Angle Panel Mount Indicators

MECHANICAL / SPECIFICATIONS

MOUNTING HOLE SIZE:
0.687" (17.46 mm)

MAX PANEL THICKNESS:
0.350" (8.89 mm)

MOUNTING TORQUE: 15 in-lbs

VOLTAGE OPTIONS:
12–32 VDC (no resistor required)

OPERATING TEMP:
-35 °C to +65 °C (-31 °F to +149 °F)

STORAGE TEMP:
-40 °C to +100 °C (-40 °F to +212 °F)

ELECTRICAL CONNECTION:
18 AWG anti-capillary wire

HOUSING:
Polycarbonate (UL 94V-0)

LENS MATERIAL:
Transparent polycarbonate (UL 94V-0)

WIRE LEADS: 6"

LOCK WASHER:
White Nickel Plated Bronze

NUT: White Nickel Plated Brass

CERTIFICATIONS & RATINGS

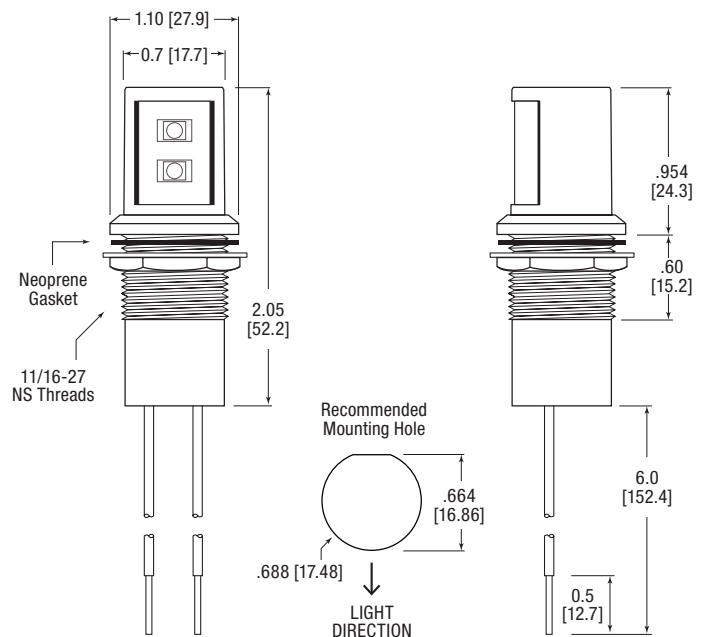
RoHS compliant
NEMA 4X
IP67

APPLICATION

The 657 Series LED Panel Mount Indicators are designed with a highly durable watertight housing. These indicators are designed for a variety of applications such as:

- Instrument panels
- Gauge
- Dash boards
- Storage compartments
- Control panels

DIMENSIONS inches [mm]



ORDERING INFORMATION

Part Number	Color	Voltage (V DC)	Current (mA)	Intensity Typ. (mcd)
657-3009-213F	○ Cool White	12–32	24	2700
657-3009-804F	● Red			1850
657-3009-803F	● Green			2600
657-3009-808F	● Orange			3500
657-3009-806F	● Blue			600



Dialight reserves the right to make changes at any time in order to supply the best product possible. The most current version of this document will always be available at: www.dialightsignalsandcomponents.com

Warranty Statement: Except for the warranty expressly provided for at: www.dialight.com/resources/warranties/, Dialight disclaims any and all other warranties, express or implied, including, without limitation, any warranties of merchantability, fitness for a particular purpose, title, and noninfringement.



658 SERIES Watertight Series Panel Mount Indicators

MECHANICAL / SPECIFICATIONS

MOUNTING HOLE SIZE:
1.000" (25.40 mm)

MAX PANEL THICKNESS:
0.350" (8.89 mm)

MOUNTING TORQUE:
15 in-lbs

VOLTAGE OPTIONS:
Bi and Tri Color : 12-30VDC (No resistor required)
Single Color: 8-60VDC (No resistor required)

OPERATING TEMP:
-40 °C to +85 °C (-40 °F to +185 °F)

STORAGE TEMP:
-40 °C to +100 °C (-40 °F to +212 °F)

ELECTRICAL CONNECTION:
18 AWG anti-capillary wire, Common Cathode

HOUSING: Polycarbonate (UL 94V-0)

LENS MATERIAL: Polycarbonate (UL 94V-0)

WIRE LEADS:
6"–Wire color is the same color as LED color;
Black wire is common ground

LOCK WASHER:
Nickel Plated Bronze

NUT:
Nickel Plated Brass

CERTIFICATIONS & RATINGS

RoHS compliant
NEMA 4X
IP67

FEATURES & BENEFITS

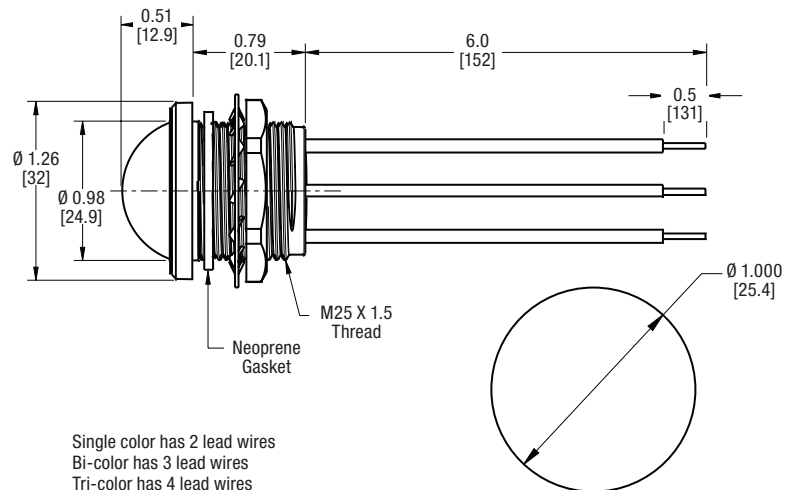
- RoHS compliant
- NEMA 4X
- IP67
- Variable voltage
- Constant intensity

APPLICATION

The 658 Series LED Panel Mount Indicators are designed with a highly durable watertight housing. These indicators are designed for a variety of applications such as:

- Buses and transit vehicle dashboards
- Agricultural and construction equipment dashboards
- Electrical control panels
- Wastewater treatment controls
- Aircraft and military vehicle dashboards
- Status Indication on industrial equipment

DIMENSIONS inches [mm]



ORDERING INFORMATION

Single color

Part Number	LED Color	Lens Type	Typical Power (mW)	Typ. VF (VDC)	Typical Intensity (mcd)
658-2506-103F	● Red	Tinted Diffused	210	8-60	5000
658-2606-103F	● Green		260		13,500
658-2706-103F	● Yellow		180		2,200
658-2806-103F	● Blue		240		1,500

Bi-color

Part Number	LED Color	Lens Type	Typ. IF (mA)	Typ. VF (VDC)	Typical Intensity (mcd)
658-2415-303F	● Red	White Diffused	20	12-30	1000
	● Green				2100
658-2425-303F	● Red				1000
	● Blue				400
658-2435-303F	● Green				2100
	● Yellow				1000
658-2455-303F	● Red				1000
	● Yellow				1000
658-2465-303F	● Green				2100
	● Blue				400

Tri-color

658-2485-303F	● Red	White Diffused	20	12-30	1000
	● Green				2100
	● Blue				400
658-2495-303F	● Red				1000
	● Green				2100
	● Yellow				1000



Dialight reserves the right to make changes at any time in order to supply the best product possible. The most current version of this document will always be available at: www.dialightsignalsandcomponents.com

Warranty Statement: Except for the warranty expressly provided for at: www.dialight.com/resources/warranties/, Dialight disclaims any and all other warranties, express or implied, including, without limitation, any warranties of merchantability, fitness for a particular purpose, title, and noninfringement.



659 SERIES Watertight Panel Mount Indicators

MECHANICAL / SPECIFICATIONS

MOUNTING HOLE SIZE:
0.500" (12.7mm)

MAX PANEL THICKNESS:
0.450" (11.43mm)

MOUNTING TORQUE:
5 in.-lbs.

VOLTAGE OPTIONS:
Single color: 6-60VDC
Bi- and Tri-color: 6-30VDC

OPERATING TEMPERATURE:
-40°C to +85°C

STORAGE TEMPERATURE:
-40°C to +100°C

ELECTRICAL CONNECTION:
18AWG anti-capillary wire

HOUSING:
Polycarbonate (UL 94V-0)

WIRE LEADS:
6" - Wire color is same as LED color;
Black wire is common

LOCK WASHER:
White nickel - Plate bronze

NUT:
White nickel - Plated brass

CERTIFICATIONS & RATINGS

RoHS Compliant
NEMA 4X
IP67

FEATURES & BENEFITS

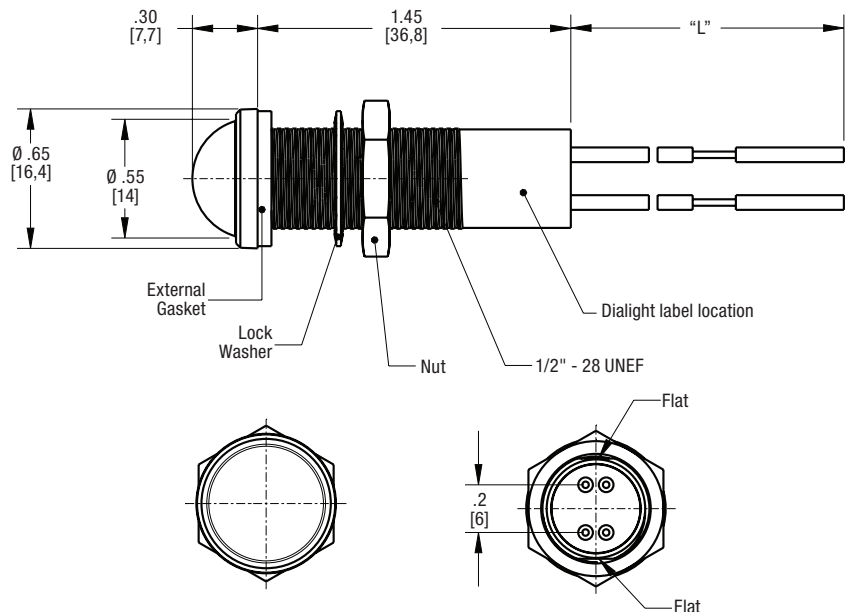
- RoHS compliant
- NEMA 4X
- IP67
- Variable voltage
- Constant intensity

APPLICATION

The 659 Series LED panel mount indicators are designed with a highly-durable watertight housing. These indicators are designed for a variety of applications such as:

- Industrial control systems and machinery
- Maritime equipment
- Renewable energy systems
- EV charging
- Transportation infrastructure

DIMENSIONS inches [mm]



ORDERING INFORMATION

Part Number	LED Color	Lens Color	Typ. If (mA)	Typ. VF (VDC)	Typ. Intensity (mcd)			
Single Color								
659-2506-103F	● Red	Red	28mA	6-60VDC	2200			
659-2606-103F	● Green	Green			7000			
659-2706-103F	● Yellow	Yellow			2200			
659-2806-103F	● Blue	Blue			1000			
Bi-Color								
659-2415-303F	● Red	White Diffused	20mA	6-30VDC	1000			
	● Green				2100			
659-2425-303F	● Red				1000			
	● Blue				400			
659-2435-303F	● Green				2100			
	● Yellow				1000			
659-2455-303F	● Red				1000			
	● Yellow				1000			
659-2465-303F	● Green				2100			
	● Blue				400			
Tri-Color								
659-2485-303F	● Red				White Diffused	20mA	6-30VDC	1000
	● Green	2100						
	● Blue	400						
659-2495-303F	● Red	1000						
	● Green	2100						
	● Yellow	1000						



Dialight reserves the right to make changes at any time in order to supply the best product possible. The most current version of this document will always be available at: www.dialightsignalsandcomponents.com

Warranty Statement: Except for the warranty expressly provided for at: www.dialight.com/resources/warranties/, Dialight disclaims any and all other warranties, express or implied, including, without limitation, any warranties of merchantability, fitness for a particular purpose, title, and noninfringement.



675 SERIES 5mm High Intensity Panel Mount Indicators

MECHANICAL / SPECIFICATIONS

MOUNTING HOLE SIZE:
0.205" (5.2 mm)

MAX PANEL THICKNESS:
0.138" (3.5 mm)

MOUNTING TORQUE:
0.362 lbs/ft (5 kg/cm)

VOLTAGE OPTIONS:
2 (red, orange) and 3.3 (green, blue, white) VDC
(resistor required on both voltages)

OPERATING TEMP:
-30 °C to +85 °C (-22 °F to +185 °F)

STORAGE TEMP:
-40 °C to +100 °C (-40 °F to +212 °F)

ELECTRICAL CONNECTION:
Through hole leads

HOUSING:
Brass—Chrome plated

TERMINALS:
Copper—Nickel Plated

LOCK WASHER:
Iron—Nickel Plated

NUT:
Brass—Nickel Plated

CERTIFICATIONS & RATINGS

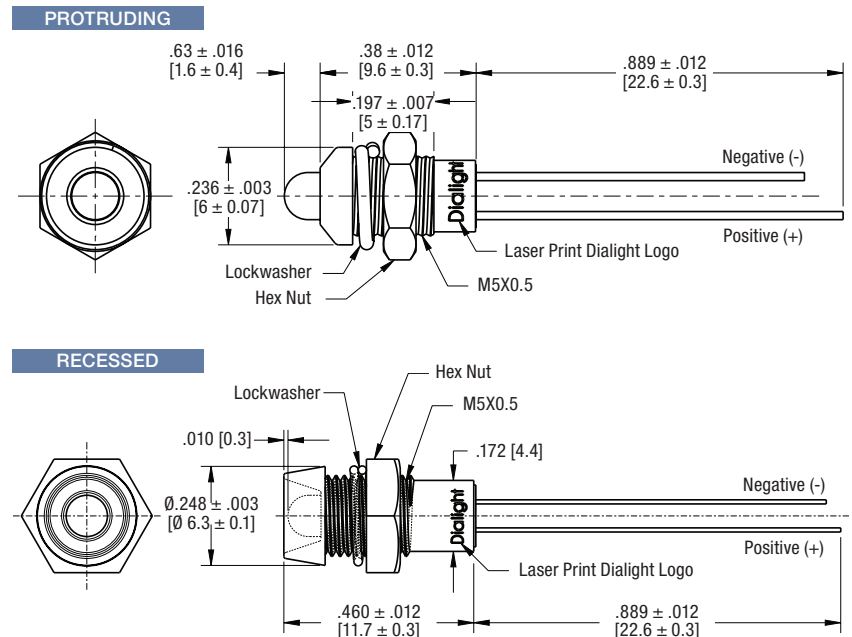
RoHS compliant

APPLICATION

The 675 Series LED Panel Mount Indicators are designed for a variety of applications such as:

- Main power indication
- Remote power indication
- Status indication
- Maintenance and warning indication
- Instrumentation

DIMENSIONS inches [mm]



ORDERING INFORMATION

Part Number	Color	Voltage (V DC)	Current (mA)	Typical Intensity (mcd)
Protruding				
675-1111-110F	● Red	2	20	9110
675-1211-110F	● Green	3.3		11380
675-1311-110F	● Orange	2		9110
675-1411-110F	● Blue	3.3		2810
675-1511-110F	○ White	3.3		5100
Recessed				
675-2111-110F	● Red	2	20	5650
675-2211-110F	● Green	3.3		11520
675-2311-110F	● Orange	2		7810
675-2411-110F	● Blue	3.3		3810
675-2511-110F	○ White	3.3		6220



Dialight reserves the right to make changes at any time in order to supply the best product possible. The most current version of this document will always be available at: www.dialightsignalsandcomponents.com

Warranty Statement: Except for the warranty expressly provided for at: www.dialight.com/resources/warranties/, Dialight disclaims any and all other warranties, express or implied, including, without limitation, any warranties of merchantability, fitness for a particular purpose, title, and noninfringement.



676 SERIES

6mm High Intensity Panel Mount Indicators

MECHANICAL / SPECIFICATIONS

MOUNTING HOLE SIZE:
0.244" (6.2 mm)

MAX PANEL THICKNESS:
0.138" (3.5 mm)

MOUNTING TORQUE:
0.362 lbs/ft (5 kg/cm)

VOLTAGE OPTIONS:
2 (red, orange) and 3.3 (green, blue, white) VDC
(resistor required on both voltages)

OPERATING TEMP:
-30 °C to +85 °C (-22 °F to +185 °F)

STORAGE TEMP:
-40 °C to +100 °C (-40 °F to +212 °F)

ELECTRICAL CONNECTION:
Through hole leads

HOUSING:
Brass – Chrome Plated

TERMINALS:
Copper – Nickel Plated

LOCK WASHER:
Iron – Nickel Plated

NUT:
Brass – Nickel Plated

CERTIFICATIONS & RATINGS

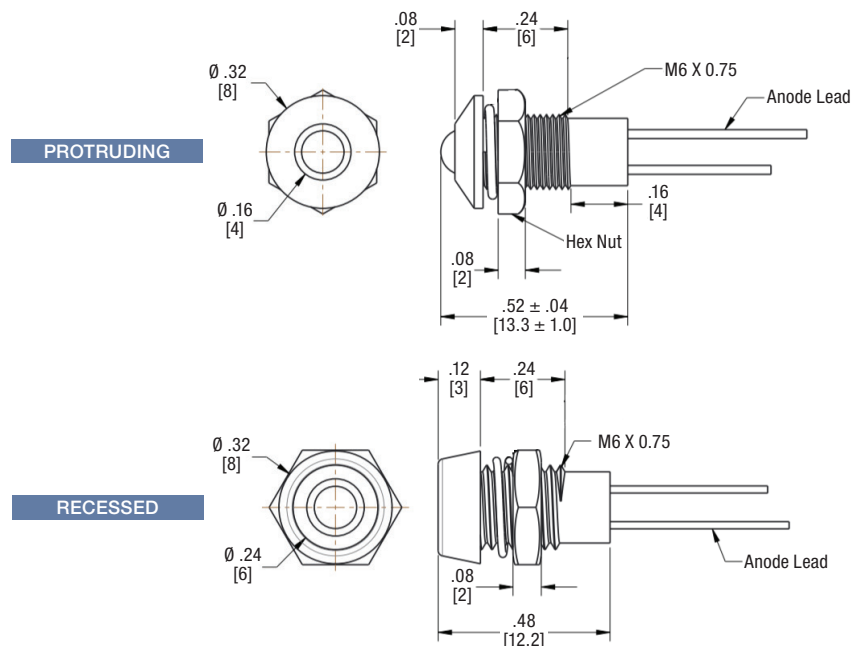
RoHS compliant

APPLICATION

The 676 Series LED Panel Mount Indicators are designed for a variety of applications such as:

- Main power indication
- Remote power indication
- Status indication
- Maintenance and warning indication
- Instrumentation

DIMENSIONS inches [mm]



ORDERING INFORMATION

Part Number	Color	Voltage (VDC)	Current (mA)	Typical Intensity* (mcd)
Protruding				
676-1111-110F	● Red	2	20	7720
676-1211-110F	● Green	3.3		10100
676-1311-110F	● Orange	2		7810
676-1411-110F	● Blue	3.3		2980
676-1511-110F	○ White	3.3		6150
Recessed				
676-2111-110F	● Red	2	20	5650
676-2211-110F	● Green	3.3		11520
676-2311-110F	● Orange	2		7810
676-2411-110F	● Blue	3.3		3810
676-2511-110F	○ White	3.3		6220



Dialight reserves the right to make changes at any time in order to supply the best product possible. The most current version of this document will always be available at: www.dialightsignalsandcomponents.com

Warranty Statement: Except for the warranty expressly provided for at: www.dialight.com/resources/warranties/, Dialight disclaims any and all other warranties, express or implied, including, without limitation, any warranties of merchantability, fitness for a particular purpose, title, and noninfringement.



677 SERIES 7mm High Intensity Panel Mount Indicators

MECHANICAL / SPECIFICATIONS

MOUNTING HOLE SIZE: 0.283" (7.2 mm)

MAX PANEL THICKNESS: See part numbers

MOUNTING TORQUE:

0.362 lbs/ft (5 kg/cm)

0.217 lbs/ft or 3 kg/cm (Figure 3)

VOLTAGE OPTIONS:

6, 12 & 24 VDC (no resistor required)

OPERATING TEMP:

-20 °C to +75 °C (-4 °F to +167 °F)

STORAGE TEMP:

-40 °C to +100 °C (-40 °F to +212 °F)

ELECTRICAL CONNECTION:

Solder terminals and 6" wire leads

HOUSING:

Protruding position: Brass–Chrome or Black Plated

Recessed position: Brass–Chrome Plated

Internal position: Polycarbonate

TERMINALS: Copper–Nickel Plated

LOCK WASHER: Iron–Nickel Plated

NUT: Brass–Nickel Plated

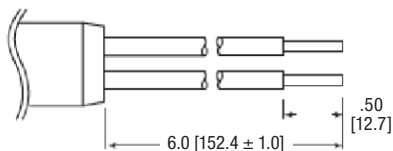
CERTIFICATIONS & RATINGS

RoHS compliant

NEMA 4X (with gasket)

IP66 (with gasket)

6" WIRE LEADS



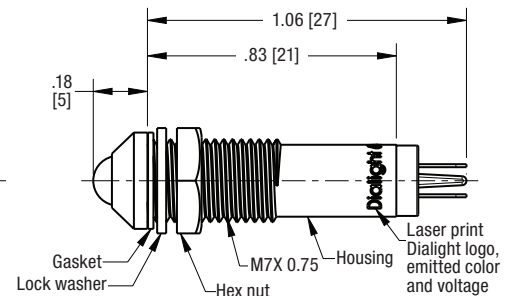
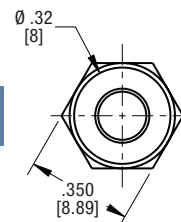
APPLICATION

The 677 Series LED Panel Mount Indicators are designed for a variety of applications such as:

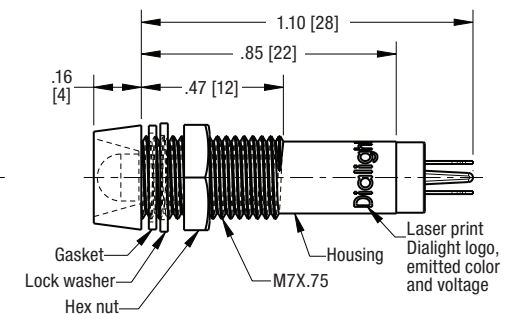
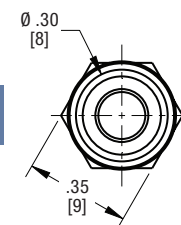
- Main power indication
- Remote power indication
- Status indication
- Maintenance and warning indication
- Instrumentation

DIMENSIONS inches [mm]

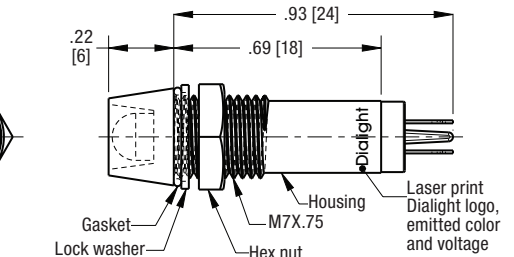
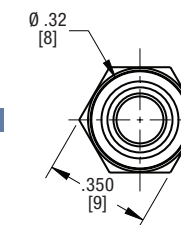
PROTRUDING
Non-Polarized



RECESSED
Non-Polarized



INTERNAL



ORDERING INFORMATION

Protruding Lens

Chrome Plated Brass Housing		Black Plated Brass Housing		Color	Voltage (VDC)	Current (mA)	Intensity Typ. (mcd)	Panel Thickness
Terminals	Wire Leads	Terminals	Wire Leads					
677-1112-321F	677-1115-321F	677-1122-321F	677-1125-321F	Red	6	15	825	0.265" (6.75 mm)
677-1212-322F	677-1215-322F	677-1222-322F	677-1225-322F	Green			4135	
677-1312-323F	677-1315-323F	677-1322-323F	677-1325-323F	Orange			560	
677-1412-324F	677-1415-324F	677-1422-324F	677-1425-324F	Blue			700	
677-1112-331F	677-1115-331F	677-1122-331F	677-1125-331F	Red	12		825	
677-1212-332F	677-1215-332F	677-1222-332F	677-1225-332F	Green			4135	
677-1312-333F	677-1315-333F	677-1322-333F	677-1325-333F	Orange			560	
677-1412-334F	677-1415-334F	677-1422-334F	677-1425-334F	Blue			700	
677-1112-341F	677-1115-341F	677-1122-341F	677-1125-341F	Red	24		825	
677-1212-342F	677-1215-342F	677-1222-342F	677-1225-342F	Green			4135	
677-1312-343F	677-1315-343F	677-1322-343F	677-1325-343F	Orange			560	
677-1412-344F	677-1415-344F	677-1422-344F	677-1425-344F	Blue			700	

Recessed Lens

Chrome Plated Brass Housing		Color	Voltage (VDC)	Current (mA)	Intensity Typ. (mcd)	Panel Thickness
Terminals	Wire Leads					
677-2112-321F	677-2115-321F	Red	6	15	925	0.336" (8.50 mm)
677-2212-322F	677-2215-322F	Green			4135	
677-2312-323F	677-2315-323F	Orange			600	
677-2412-324F	677-2415-324F	Blue			730	
677-2112-331F	677-2115-331F	Red	12		925	
677-2212-332F	677-2215-332F	Green			4135	
677-2312-333F	677-2315-333F	Orange			600	
677-2412-334F	677-2415-334F	Blue			730	
677-2112-341F	677-2115-341F	Red	24		925	
677-2212-342F	677-2215-342F	Green			4135	
677-2312-343F	677-2315-343F	Orange			600	
677-2412-344F	677-2415-344F	Blue			730	

Internal Lens

Polycarbonate Housing		Color	Voltage (VDC)	Current (mA)	Intensity Typ. (mcd)	Panel Thickness
Terminals	Wire Leads					
677-3132-321F	677-3135-321F	Red	6	15	1370	0.187" (4.75 mm)
677-3232-322F	677-3235-322F	Green			5500	
677-3332-323F	677-3335-323F	Orange			1280	
677-3432-324F	677-3435-324F	Blue			1200	
677-3132-331F	677-3135-331F	Red	12		1370	
677-3232-332F	677-3235-332F	Green			5500	
677-3332-333F	677-3335-333F	Orange			1280	
677-3432-334F	677-3435-334F	Blue			1200	
677-3132-341F	677-3135-341F	Red	24		1370	
677-3232-342F	677-3235-342F	Green			5500	
677-3332-343F	677-3335-343F	Orange			1280	
677-3432-344F	677-3435-344F	Blue			1200	



Dialight reserves the right to make changes at any time in order to supply the best product possible. The most current version of this document will always be available at: www.dialightsignalsandcomponents.com

Warranty Statement: Except for the warranty expressly provided for at: www.dialight.com/resources/warranties/, Dialight disclaims any and all other warranties, express or implied, including, without limitation, any warranties of merchantability, fitness for a particular purpose, title, and noninfringement.



678 SERIES 8mm High Intensity Panel Mount Indicators

MECHANICAL / SPECIFICATIONS

MOUNTING HOLE SIZE:

0.323" (8.2 mm) [Fig. 1 & 2];

0.335" (8.5 mm) [Fig. 3]

MAX PANEL THICKNESS:

see part number table

MOUNTING TORQUE:

0.271 lbs/ft (3 kg/cm) [Fig. 1 & 2]

0.362 lbs/ft (5 kg/cm) torque [Fig. 3]

OPERATING VOLTAGE:

2 & 3.3 VDC [Fig. 1 & 2]; 6, 12 & 24 VDC [Fig. 3]

(no resistor required)

OPERATING TEMP:

-20°C to +75°C (-4°F to 167°F)

STORAGE TEMP:

-40°C to +100°C (-40°F to 212°F)

ELECTRICAL CONNECTION:

Straight leads [Fig. 1 & 2]; Solder terminals or 6" wire leads [Fig. 3]

HOUSING:

Protruding: Chrome plated brass; Internal position: Polycarbonate

TERMINALS: Copper–Nickel Plated

LOCK WASHER: Iron–Nickel Plated

NUT: Brass–Nickel Plated

CERTIFICATIONS & RATINGS

RoHS compliant

IP66 (protruding type only)

APPLICATION

The 678 Series LED Panel Mount Indicators are designed for a variety of applications such as:

- Main power indication
- Remote power indication
- Status indication
- Maintenance and warning indication
- Instrumentation

DIMENSIONS inches [mm]

FIGURE 1

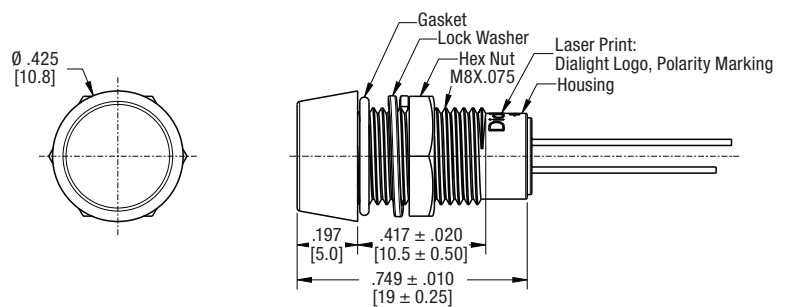
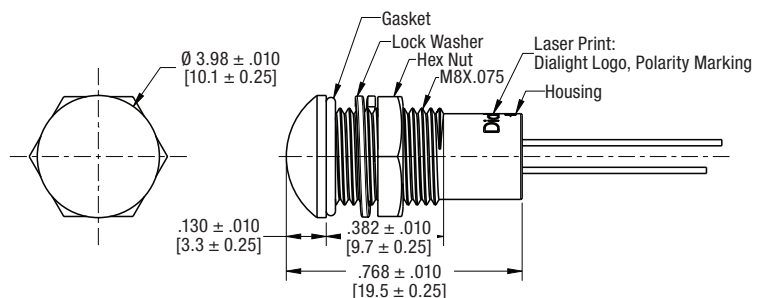


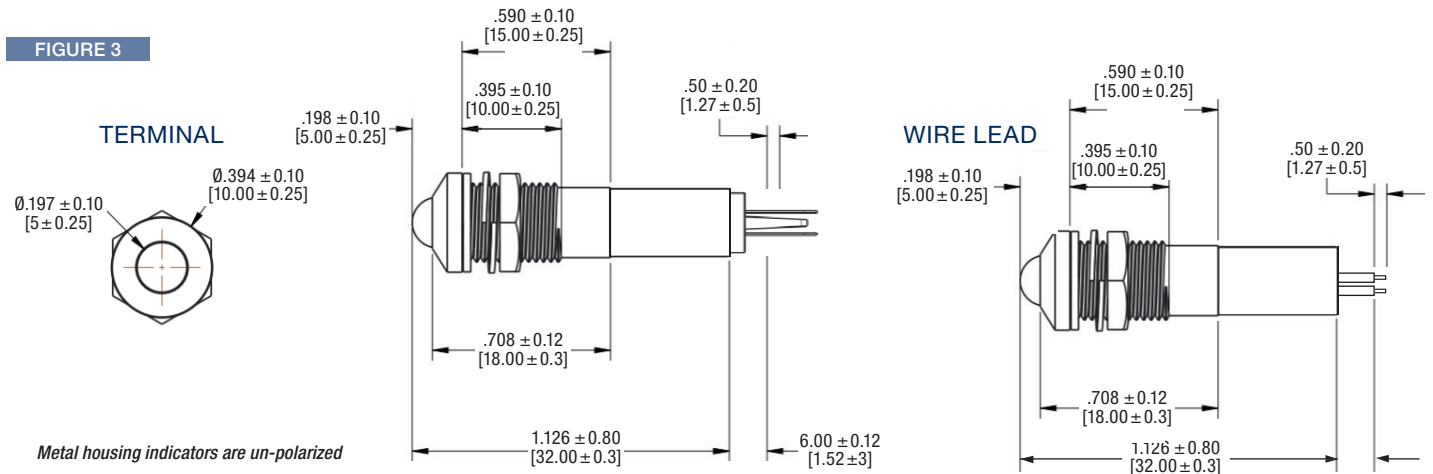
FIGURE 2



These indicators are un-polarized

DIMENSIONS inches [mm]

FIGURE 3



ORDERING INFORMATION

Part Number	Color	Voltage (V DC)	Current (mA)	Typical Intensity (mcd)	Viewing Angle	LED Position	Fig. #	Mount Style	Panel Thickness
Straight Leads									

Polycarbonate

678-1131-111F	Red	2	15	2210	4	Internal	1	Lock washer & nut	.2165" (5.5 mm)
678-1231-112F	Green	3.3		46860					
678-1331-113F	Orange	2		2210					
678-1431-114F	Blue	3.3		7100					
678-3131-111F	Red	2		3020	40		2		
678-3231-112F	Green	3.3		30600	20				
678-3331-113F	Orange	2		3260	20				
678-3431-114F	Blue	3.3		4360	40				

White Nickel

Part Number	Part Number	Color	Voltage (V DC)	Current (mA)	Typical Intensity (mcd)	Viewing Angle	LED Position	Fig. #	Mount Style	Panel Thickness
678-1112-321F	678-1115-321F	Red	6	15	320	20	Protruding	3	Lock washer & nut	.3158" (8.0 mm)
678-1212-322F	678-1215-322F	Green			2920					
678-1312-323F	678-1315-323F	Orange			490					
678-1412-324F	678-1415-324F	Blue			220					
678-1112-331F	678-1115-331F	Red	12	15	320	20	Protruding	3	Lock washer & nut	.3158" (8.0 mm)
678-1212-332F	678-1215-332F	Green			2920					
678-1312-333F	678-1315-333F	Orange			490					
678-1412-334F	678-1415-334F	Blue			220					
678-1112-341F	678-1115-341F	Red	24	15	320	20	Protruding	3	Lock washer & nut	.3158" (8.0 mm)
678-1212-342F	678-1215-342F	Green			2920					
678-1312-343F	678-1315-343F	Orange			490					
678-1412-344F	678-1415-344F	Blue			220					



Dialight reserves the right to make changes at any time in order to supply the best product possible. The most current version of this document will always be available at: www.dialightsignalsandcomponents.com

Warranty Statement: Except for the warranty expressly provided for at: www.dialight.com/resources/warranties/, Dialight disclaims any and all other warranties, express or implied, including, without limitation, any warranties of merchantability, fitness for a particular purpose, title, and noninfringement.



679 SERIES 9mm High Intensity Panel Mount Indicators

MECHANICAL / SPECIFICATIONS

MOUNTING HOLE SIZE:
0.374" (9.5 mm)

MAX PANEL THICKNESS:
0.374" (9.5 mm);

WITH GASKET:
0.318" (8.0 mm)

MOUNTING TORQUE:
0.362 lbs/ft (5 kg/cm)

VOLTAGE OPTIONS:
6, 12 & 24 V DC (no resistor required)

OPERATING TEMP:
-20 °C to +75 °C (-4 °F to +167 °F)

STORAGE TEMP:
-40 °C to +100 °C (-40 °F to +212 °F)

ELECTRICAL CONNECTION:
Solder terminals, 6" wire leads

HOUSING:

Brass-Chrome or Black Plated

TERMINALS:

Copper-Nickel Plated

LOCK WASHER:

Iron-Nickel Plated

NUT:

Brass-Nickel Plated

CERTIFICATIONS & RATINGS

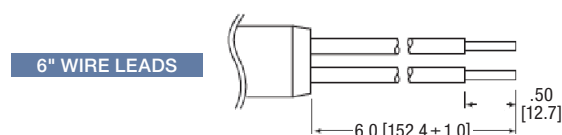
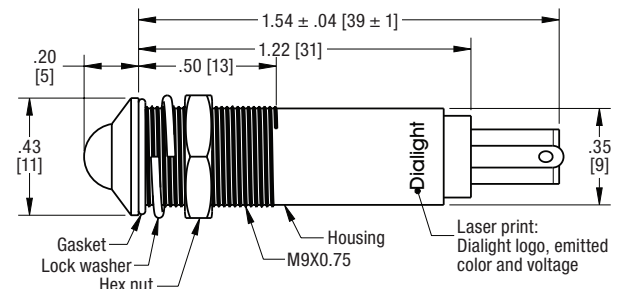
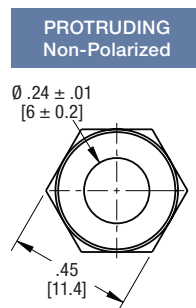
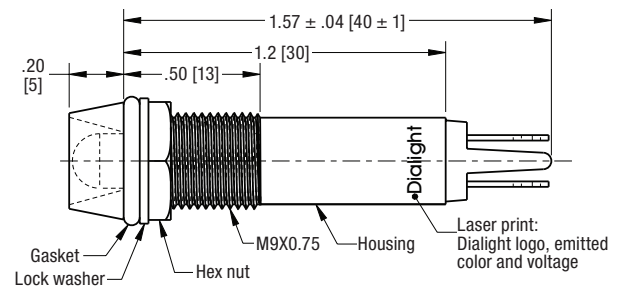
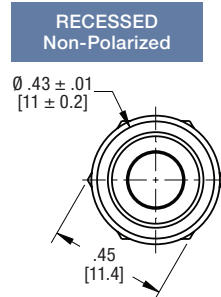
RoHS compliant
NEMA 4X (with gasket)
IP66 (with gasket)

APPLICATION

The 679 Series LED Panel Mount Indicators are designed for a variety of applications such as:

- Main power indication
- Remote power indication
- Status indication
- Maintenance and warning indication
- Instrumentation

DIMENSIONS inches [mm]



ORDERING INFORMATION

Recessed LED

Part Number / Termination		Color	Voltage (V DC)	Current (mA)	Intensity Typ. (mcd)	Plating
Solder Terminals	6" Wire Leads					
679-2112-321F	679-2115-321F	● Red	6	15	775	Chrome
679-2212-322F	679-2215-322F	● Green			5870	
679-2312-323F	679-2315-323F	● Orange			1570	
679-2412-324F	679-2415-324F	● Blue			270	
679-2112-331F	679-2115-331F	● Red	12		775	
679-2212-332F	679-2215-332F	● Green			5870	
679-2312-333F	679-2315-333F	● Orange			1570	
679-2412-334F	679-2415-334F	● Blue			270	
679-2112-341F	679-2115-341F	● Red	24		775	
679-2212-342F	679-2215-342F	● Green			5870	
679-2312-343F	679-2315-343F	● Orange			1570	
679-2412-344F	679-2415-344F	● Blue			270	
679-2122-321F	679-2125-321F	● Red	6		775	Black
679-2222-322F	679-2225-322F	● Green			5870	
679-2322-323F	679-2325-323F	● Orange			1570	
679-2422-324F	679-2425-324F	● Blue			270	
679-2122-331F	679-2125-331F	● Red	12		775	
679-2222-332F	679-2225-332F	● Green			5870	
679-2322-333F	679-2325-333F	● Orange			1570	
679-2422-334F	679-2425-334F	● Blue			270	
679-2122-341F	679-2125-341F	● Red	24		775	
679-2222-342F	679-2225-342F	● Green			5870	
679-2322-343F	679-2325-343F	● Orange			1570	
679-2422-344F	679-2425-344F	● Blue			270	

Protruding LED

Part Number / Termination		Color	Voltage (V DC)	Current (mA)	Intensity Typ. (mcd)	Plating
Solder Terminals	6" Wire Leads					
679-1112-321F	679-1115-321F	● Red	6	15	485	Chrome
679-1212-322F	679-1215-322F	● Green			5870	
679-1312-323F	679-1315-323F	● Orange			1570	
679-1412-324F	679-1415-324F	● Blue			215	
679-1112-331F	679-1115-331F	● Red	12		485	
679-1212-332F	679-1215-332F	● Green			5870	
679-1312-333F	679-1315-333F	● Orange			1570	
679-1412-334F	679-1415-334F	● Blue			215	
679-1112-341F	679-1115-341F	● Red	24		485	
679-1212-342F	679-1215-342F	● Green			5870	
679-1312-343F	679-1315-343F	● Orange			1570	
679-1412-344F	679-1415-344F	● Blue			215	
679-1122-321F	679-1125-321F	● Red	6		485	Black
679-1222-322F	679-1225-322F	● Green			5870	
679-1322-323F	679-1325-323F	● Orange			1570	
679-1422-324F	679-1425-324F	● Blue			215	
679-1122-331F	679-1125-331F	● Red	12		485	
679-1222-332F	679-1225-332F	● Green			5870	
679-1322-333F	679-1325-333F	● Orange			1570	
679-1422-334F	679-1425-334F	● Blue			215	
679-1122-341F	679-1125-341F	● Red	24		485	
679-1222-342F	679-1225-342F	● Green			5870	
679-1322-343F	679-1325-343F	● Orange			1570	
679-1422-344F	679-1425-344F	● Blue			215	



Dialight reserves the right to make changes at any time in order to supply the best product possible. The most current version of this document will always be available at: www.dialightsignalsandcomponents.com

Warranty Statement: Except for the warranty expressly provided for at: www.dialight.com/resources/warranties/, Dialight disclaims any and all other warranties, express or implied, including, without limitation, any warranties of merchantability, fitness for a particular purpose, title, and noninfringement.



682 SERIES 12mm High Intensity Panel Mount Indicators

MECHANICAL / SPECIFICATIONS

MOUNTING HOLE SIZE:
0.492" (12.5 mm)

MAX PANEL THICKNESS:
0.236" (6.0 mm)

MOUNTING TORQUE:
0.217 lbs/ft (3 kg/cm)

VOLTAGE OPTIONS:
6, 12 & 24 VDC (no resistor required)

OPERATING TEMP:
-20 °C to +75 °C (-4 °F to +167 °F)

STORAGE TEMP:
-40 °C to +100 °C (-40 °F to +212 °F)

ELECTRICAL CONNECTION:
Solder terminals or
26AWG UL 1007 6" wire leads

HOUSING:
Polycarbonate

TERMINALS:
Copper-Nickel Plated

LOCK WASHER:
Iron-Nickel Plated

NUT:
Brass-Nickel Plated

CERTIFICATIONS & RATINGS

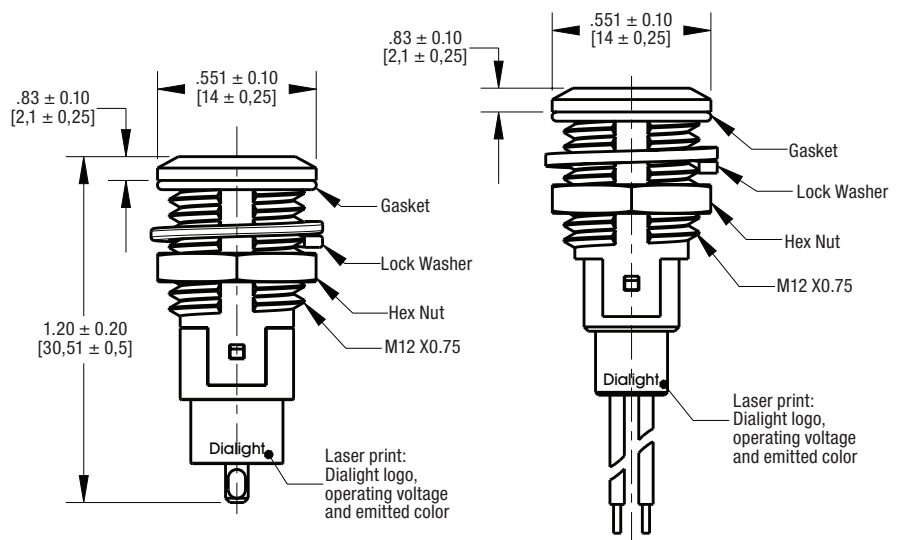
RoHS compliant

APPLICATION

The 682 Series LED Panel Mount Indicators are designed for a variety of applications such as:

- Main power indication
- Remote power indication
- Status indication
- Maintenance and warning indication
- Instrumentation

DIMENSIONS inches [mm]



These indicators are un-polarized

ORDERING INFORMATION

Part Number		Color	Voltage (VDC)	Current (mA)	Intensity Typ. (mcd)
Terminals	Wire Leads				
682-3132-121F	682-3135-121F	● Red	6	15	510
682-3232-122F	682-3235-122F	● Green			2225
682-3332-123F	682-3335-123F	● Orange			510
682-3432-124F	682-3435-124F	● Blue			260
682-3132-131F	682-3135-131F	● Red	12		510
682-3232-132F	682-3235-132F	● Green			2225
682-3332-133F	682-3335-133F	● Orange			510
682-3432-134F	682-3435-134F	● Blue			260
682-3132-141F	682-3135-141F	● Red	24		510
682-3232-142F	682-3235-142F	● Green			2225
682-3332-143F	682-3335-143F	● Orange			510
682-3432-144F	682-3435-144F	● Blue			260



Dialight reserves the right to make changes at any time in order to supply the best product possible. The most current version of this document will always be available at: www.dialightsignalsandcomponents.com

Warranty Statement: Except for the warranty expressly provided for at: www.dialight.com/resources/warranties/, Dialight disclaims any and all other warranties, express or implied, including, without limitation, any warranties of merchantability, fitness for a particular purpose, title, and noninfringement.



271 SERIES Indicator Base

MECHANICAL / SPECIFICATIONS

BASE PART NUMBER:
[271-8430-702](#)

MOUNTING HOLE SIZE:
15/32" clearance hole (.468")

MOUNTING ORIENTATION: Rear

BULB BASE SIZE:
T-1 3/4 Midget Flange

TERMINATION:
Brass solder terminals, hot tinned
WITH ELONGATED SLOTS

HOUSING FINISH:
Brass housing, cadmium plated
with yellow iridescent chromate finish

HARDWARE:
Internal tooth lock washer and hex mounting nut:
steel, cadmium plated with yellow iridescent
chromate finish

VOLTAGE / RESISTOR: Bulb Dependent

LENS CAP OPTIONS:
Light Seal Cap

MILITARY COMPLIANT: Yes
MILITARY CROSS #: LH92/1

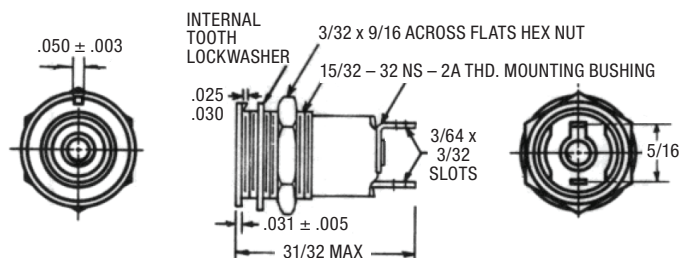
FEATURES & BENEFITS

- Two terminals – fully insulated
- For mounting in 15/32" clearance hole
- Meets all applicable requirements of MIL-L7806, MIL-L-3361C and MS25010- REV D
- Anti-rotation notch on face of flange prevents rotation of unit while nut is being tightened
- Designed to emit light through a lens radially into the plastic plate. A resilient light seal washer insures against light loss at the front of the panel

APPLICATION

- Military vehicles
- Aircraft cockpits
- Naval ship control panels
- Field communication equipment
- Weapons systems
- Surveillance and radar systems

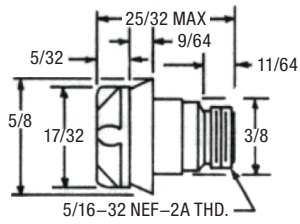
DIMENSIONS inches [mm]



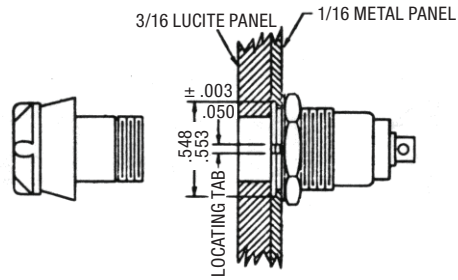
MAX PANEL THICKNESS 15/64"

Base, bulb, and cap are required for a complete indicator assembly and need to be purchased separately.

ORDERING INFORMATION



LIGHT SEAL CAP



LIGHT SEAL CAP ASSEMBLY

LIGHT SEAL CAP

	Type Designation	Part Number	Top Color	Filter Color	Light Seal Washer Opaque
	LC34EN2/D02	271-0111	Black	● Red	Black
	LC34CN2/D02	271-0171	Black	○ Clear	Black
	LC34EN/EN2	271-3111	Red	● Red	Black
	-	271-3171	Red	○ Clear	Black
	LC34EN2/S02	271-0212	Gray	● Red	Gray
	LC34CN2/S02	271-0272	Gray	○ Clear	Gray



359 SERIES Indicator Base

MECHANICAL / SPECIFICATIONS

BASE PART NUMBER:

[359-8430-09-502](#)

MOUNTING:

15/32" clearance hole (.468")

MOUNTING ORIENTATION:

Front

BULB BASE SIZE:

T-1 3/4 Midget Flange

TERMINATION:

Brass solder terminals, hot tinned with elongated slots

HOUSING FINISH:

Aluminum housing, black anodized finish

HARDWARE:

Internal-tooth lock washer and mounting nut:
Steel, cadmium plated with yellow iridescent chromate finish

VOLTAGE / RESISTOR: Bulb Dependent

LENS CAP OPTIONS:

Stovepipe and Cylindrical
Non-Diffused and Translucent

MILITARY COMPLIANT: Yes

MILITARY CROSS #: LH73/1

CERTIFICATIONS & RATINGS

RoHS Compliant w/6C exemption

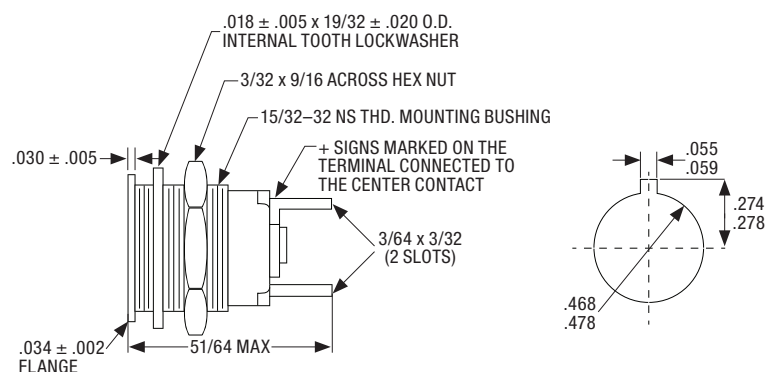
FEATURES & BENEFITS

- Two terminals – fully insulated
- For mounting in 15/32" clearance hole
- Meet or exceed environmental and operational requirements of MIL-L-6723 and MIL-L-3661C
- Anti-rotation (locked) construction: provides for secure locking of the socket terminal assembly in the mounting bushing and of the center terminal to the insulating disc. The notched mounting bushing receives the matched insulating disc to prevent the rotation of the mounting bushing.

APPLICATION

Aircraft instrumentation, ground vehicles, shipboard systems, communication equipment, power distribution, radar and sonar systems, control panels, safety systems

DIMENSIONS inches [mm]

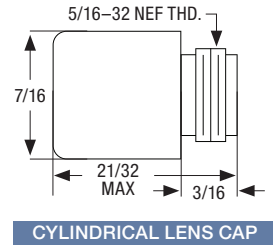
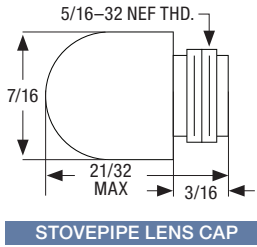


MAX PANEL THICKNESS 3/16"

RECOMMENDED PANEL CUTOUT

Base, bulb, and cap are required for a complete indicator assembly and need to be purchased separately.

ORDERING INFORMATION



STOVEPIPE LENS CAP
Non-Diffused

	Type Designation	Part Number	Lens Cap Color
	LC12RN2	162-0931	● Red
	LC12GN2	162-0932	● Green
	LC12YN2	162-0933	● Yellow
	LC12BN2	162-0934	● Blue
	LC12CN2	162-0937	○ Clear

CYLINDRICAL LENS CAP
Non-Diffused

	Type Designation	Part Number	Lens Cap Color
	LC29RN2	162-1431	● Red
	LC29GN2	162-1432	● Green
	LC29YN2	162-1433	● Yellow
	LC29BN2	162-1434	● Blue
	LC29CN2	162-1437	○ Clear

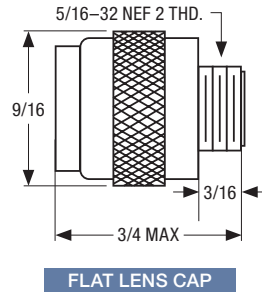
Translucent

	Type Designation	Part Number	Lens Cap Color
	LC12RT2	162-0971	● Red
	LC12GT2	162-0972	● Green
	LC12YT2	162-0973	● Yellow
	LC12BT2	162-0974	● Blue
	LC12WT2	162-0975	○ White

Translucent

	Type Designation	Part Number	Lens Cap Color
	LC29RT2	162-1471	● Red
	LC29GT2	162-1472	● Green
	LC29YT2	162-1473	● Yellow
	LC29BT2	162-1474	● Blue
	LC29WT2	162-1475	○ White

ORDERING INFORMATION



FLAT LENS CAP
Non-Diffused

	Type Designation	Part Number	Lens Cap Color
	LC11RN2	178-0331-500	● Red
	LC11GN2	178-0332-500	● Green
	LC11YN2	178-0333-500	● Yellow
	LC11BN2	178-0334-500	● Blue
	LC11CN2	178-0337-500	○ Clear

Translucent

	Type Designation	Part Number	Lens Cap Color
	LC11RT2	178-0371-500	● Red
	LC11GT2	178-0372-500	● Green
	LC11YT2	178-0373-500	● Yellow
	LC11BT2	178-0374-500	● Blue
	LC11WT2	178-0375-500	○ White



362 SERIES Indicator Base

MECHANICAL / SPECIFICATIONS

BASE PART NUMBER:

[362-8430-09-702](#)

MOUNTING:

15/32" clearance hole (.468")

MOUNTING ORIENTATION:

Front

BULB BASE SIZE:

T-1 3/4 Midget Flange

TERMINATION:

Brass solder terminals, hot tinned with elongated slots

HOUSING FINISH:

Aluminum housing, yellow iridescent chromate finish

HARDWARE: Steel

VOLTAGE / RESISTOR:

Bulb Dependent

LENS CAP OPTIONS:

Flat

+ EMI/RFI mesh shielding internal

MILITARY COMPLIANT: Yes

MILITARY CROSS #: LH73/2

CERTIFICATIONS & RATINGS

RoHS Compliant w/6C exemption

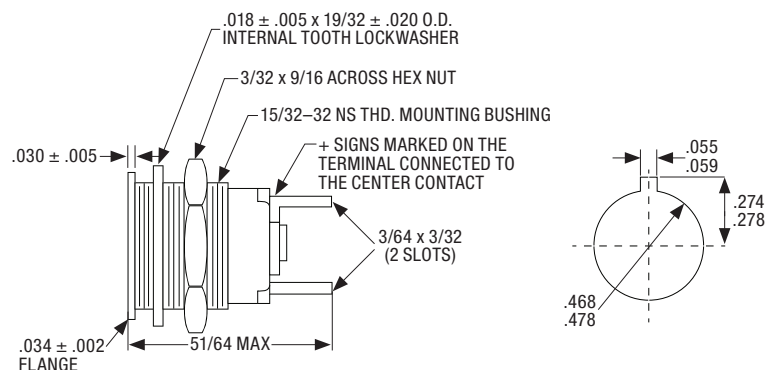
FEATURES & BENEFITS

- EMI/RFI Shielding
- Two terminals – fully insulated
- For mounting in 15/32" clearance hole
- Meet or exceed environmental and operational requirements of MIL-L-6723 and MIL-L-3661C
- Anti-rotation (locked) construction: provides for secure locking of the socket terminal assembly in the mounting bushing and of the center terminal to the insulating disc. The notched mounting bushing receives the matched insulating disc to prevent the rotation of the mounting bushing.

APPLICATION

- Aircraft avionics
- Ground vehicles
- Naval control rooms
- Radar and sonar systems
- Missile systems
- Satellite communication systems
- Electronic warfare systems
- Command and control centers
- UAVs
- Communication equipment

DIMENSIONS inches [mm]

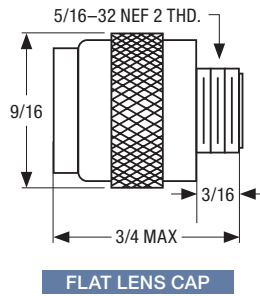


MAX PANEL THICKNESS 3/16"

RECOMMENDED PANEL CUTOUT

Base, bulb, and cap are required for a complete indicator assembly and need to be purchased separately.

ORDERING INFORMATION



FLAT LENS CAP
Non-Diffused – RFI/EMI Shielding

	Type Designation	Part Number	Lens Cap Color
	LC25RN2	239-0331-500	● Red
	LC25GN2	239-0332-500	● Green
	LC25YN2	239-0333-500	● Yellow
	LC25BN2	239-0334-500	● Blue
	LC25CN2	239-0337-500	○ Clear

Translucent – RFI/EMI Shielding

	Type Designation	Part Number	Lens Cap Color
	LC25RT2	239-0371-500	● Red
	LC25GT2	239-0372-500	● Green
	LC25YT2	239-0373-500	● Yellow
	LC25BT2	239-0374-500	● Blue
	LC25WT2	239-0375-500	○ White



367 SERIES Indicator Base

MECHANICAL / SPECIFICATIONS

BASE PART NUMBER:
[367-8430-09-503](#)

MOUNTING:
15/32" clearance hole (.468")
MOUNTING ORIENTATION: Front

BULB BASE SIZE:
T-1 3/4 Midget Flange

TERMINATION:
Brass solder terminals, hot tinned
with elongated slots

HOUSING FINISH:
Aluminum housing, black anodized finish

HARDWARE:
Internal-tooth lock washer and mounting nut:
Steel, cadmium plated with yellow iridescent
chromate finish

VOLTAGE / RESISTOR:
Bulb Dependent

LENS CAP OPTIONS:
Stovepipe
Convex (with mechanical dimming options)

MILITARY COMPLIANT: Yes
MILITARY CROSS #: LH89/1

CERTIFICATIONS & RATINGS
RoHS Compliant w/6C exemption

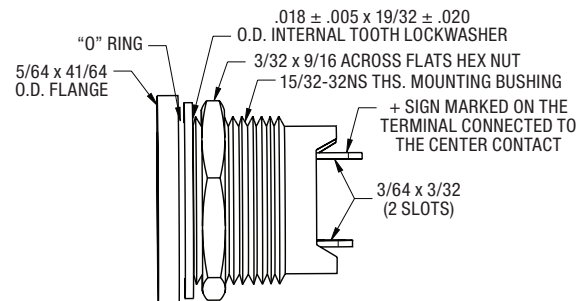
FEATURES & BENEFITS

- Two terminals - fully insulated
- For mounting in 15/32" clearance hole
- Conforms to MIL-L-3661C
- Anti-rotation (locked) construction: provides for secure locking of the socket terminal assembly in the mounting bushing and of the center terminal to the insulating disc. The notched mounting bushing receives the matched insulating disc to prevent the rotation of the mounting bushing.
- Watertight lenses with mechanical dimming options available:
 - 160 series- complete blackout
 - 161 series- partial blackout

APPLICATION

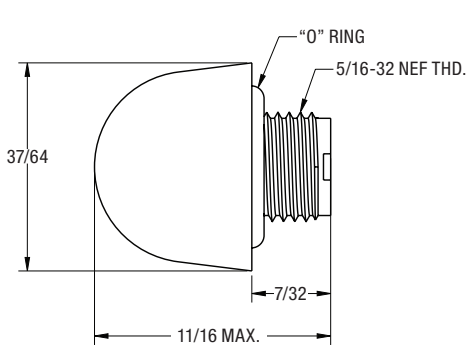
- Communication devices
- Navigation equipment
- Field medical equipment
- Tactical equipment
- Remote sensing devices
- UUV's, UAV's
- and many more...

DIMENSIONS inches [mm]

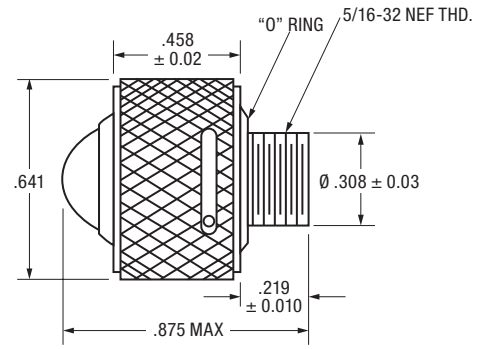


Base, bulb, and cap are required for a complete indicator assembly and need to be purchased separately.

DIMENSIONS inches [mm]



STOVEPIPE LENS CAP



CONVEX LENS CAP

ORDERING INFORMATION

STOVEPIPE LENS CAP
Non-Diffused

	Type Designation	Part Number	Lens Cap Color
	LC35RN2	128-0931-003	● Red
	LC35GN2	128-0932-003	● Green
	LC35YN2	128-0933-003	● Yellow
	LC35BN2	128-0934-003	● Blue
	LC35CN2	128-0937-003	○ Clear
	LC35RT2	128-0971-003	● Red
	LC35GT2	128-0972-003	● Green
	LC35YT2	128-0973-003	● Yellow
	LC35BT2	128-0974-003	● Blue
	LC35WT2	128-0975-003	○ White

CONVEX LENS CAP
Translucent Mechanical Dimming Full Black Out

	Type Designation	Part Number	Lens Cap Color
	LC36RD2	160-0111-203	● Red
	LC36GD2	160-0112-203	● Green
	LC36YD2	160-0113-203	● Yellow
	LC36BD2	160-0114-203	● Blue
	LC36CD2	160-0117-203	○ Clear

Translucent Mechanical Dimming Partial Black Out

	LC37RD2	161-0111-203	● Red
	LC37GD2	161-0112-203	● Green
	LC37YD2	161-0113-203	● Yellow
	LC37BD2	161-0114-203	● Blue
	LC37CD2	161-0117-203	○ Clear



Dialight reserves the right to make changes at any time in order to supply the best product possible. The most current version of this document will always be available at: www.dialightsignalsandcomponents.com

Warranty Statement: Except for the warranty expressly provided for at: www.dialight.com/resources/warranties/, Dialight disclaims any and all other warranties, express or implied, including, without limitation, any warranties of merchantability, fitness for a particular purpose, title, and noninfringement.



373 SERIES Indicator Base

MECHANICAL / SPECIFICATIONS

BASE PART NUMBER:

[373-0410-01-203](#)

MOUNTING HOLE SIZE:

11/16" clearance hole (.688")

MOUNTING ORIENTATION:

Rear

BULB BASE SIZE:

T-3 1/4 Miniature Bayonet

TERMINATION:

Brass solder terminals, hot tinned with elongated slots

HOUSING FINISH:

Brass housing, black nickel finish

HARDWARE:

Mounting nut: Brass, white nickel finish
Internal-tooth lockwasher: phosphor bronze, white nickel finish

VOLTAGE / RESISTOR: Bulb Dependent

LENS CAP OPTIONS:

Convex with mechanical dimming options available
Non-Diffused, Translucent, Diffused

MILITARY COMPLIANT: Yes

MILITARY CROSS #: LH76/3

CERTIFICATIONS & RATINGS

Watertight

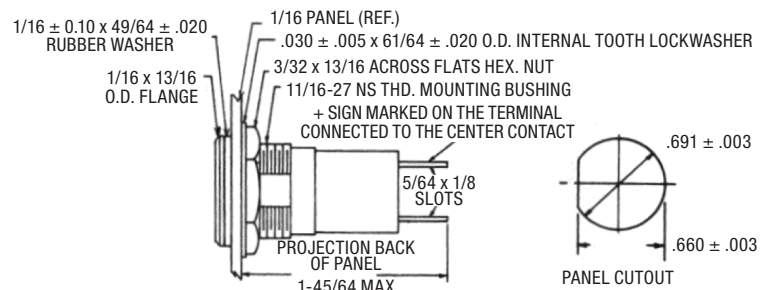
FEATURES & BENEFITS

- For mounting in 11/16" clearance hole
- Meets MIL-L-3661C requirements
- Watertight screw-in lens cap
- Mechanical dimming lenses which provide adjustable intensity of light emission. Two options available:
 - Full Blackout (203 models)
 - Semi Blackout (204 models)

APPLICATION

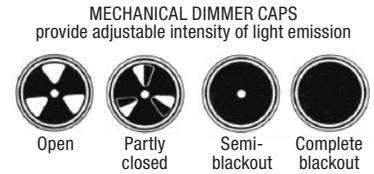
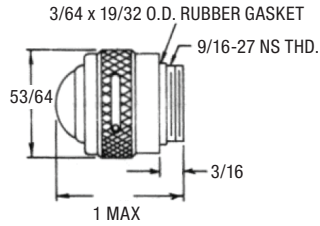
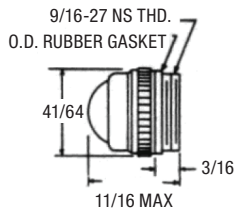
- Ground vehicles
- Power distribution centers
- Command and control centers
- Aircraft cockpits
- Naval vessels
- Underwater vehicles
- Surveillance systems
- Aircraft carrier decks
- Search and rescue equipment
- Surveillance drones
- UAV's
- and many more....

DIMENSIONS inches [mm]



Base, bulb, and cap are required for a complete indicator assembly and need to be purchased separately.

ORDERING INFORMATION



CONVEX LENS CAP
Non-Diffused

	Type Designation	Part Number	Lens Cap Color
	LC14RN3	081-0131-203	● Red
	LC14GN3	081-0132-203	● Green
	LC14YN3	081-0133-203	● Yellow
	LC14BN3	081-0134-203	● Blue
	LC14WT3	081-0135-203	○ White
	LC14CN3	081-0137-203	○ Clear

Complete Blackout

	LC17RN3	203-0131-203	● Red
	LC17GN3	203-0132-203	● Green
	LC17YN3	203-0133-203	● Yellow
	LC17BN3	203-0134-203	● Blue
	LC17WT3	203-0135-203	○ White
	LC17CN3	203-0137-203	○ Clear

Semi-Blackout

	LC18RN3	204-0131-203	● Red
	LC18GN3	204-0132-203	● Green
	LC18YN3	204-0133-203	● Yellow
	LC18BN3	204-0134-203	● Blue
	LC18CN3	204-0137-203	○ Clear

CONVEX LENS CAP
Translucent

	Type Designation	Part Number	Lens Cap Color
	LC14RD3	081-0111-203	● Red
	LC14GD3	081-0112-203	● Green
	LC14YD3	081-0113-203	● Yellow
	LC14BD3	081-0114-203	● Blue
	LC14CD3	081-0117-203	○ Clear

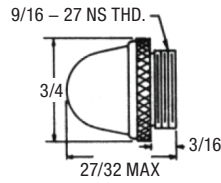
Translucent, Mechanical Dimming Full Blackout

	LC17RD3	203-0111-203	● Red
	LC17GD3	203-0112-203	● Green
	LC17YD3	203-0113-203	● Yellow
	LC17BD3	203-0114-203	● Blue
	LC17CD3	203-0117-203	○ Clear







Translucent, Mechanical Dimming Feature Semi-Blackout

	LC18RD3	204-0111-203	● Red
	LC18GD3	204-0112-203	● Green
	LC18YD3	204-0113-203	● Yellow
	LC18BD3	204-0114-203	● Blue
	LC18CD3	204-0117-203	○ Clear





ORDERING INFORMATION



CONVEX LENS CAP
Non-Diffused

	Type Designation	Part Number	Lens Cap Color
	LC15RN3	026-1131-203	● Red
	LC15GN3	026-1132-203	● Green
	LC15YN3	026-1133-203	● Yellow
	LC15BN3	026-1134-203	● Blue
	LC15WT3	026-1135-203	○ White
	LC15CN3	026-1137-203	○ Clear

CONVEX LENS CAP
Translucent

	Type Designation	Part Number	Lens Cap Color
	LC15RD3	026-1111-203	● Red
	LC15GD3	026-1112-203	● Green
	LC15YD3	026-1113-203	● Yellow
	LC15BD3	026-1114-203	● Blue



377 SERIES Indicator Base

MECHANICAL / SPECIFICATIONS

BASE PART NUMBER:
[377-0410-11-203](#)

MOUNTING HOLE SIZE:
11/16" clearance hole (.688")

MOUNTING ORIENTATION: Rear

BULB BASE SIZE:
T-3 1/4 Miniature Bayonet

TERMINATION:
Brass solder terminals, hot tinned
with elongated slots

HOUSING FINISH:
Brass housing, black nickel finish

HARDWARE:
Mounting nut: Brass, white nickel finish
Internal-tooth lockwasher: phosphor bronze,
white nickel finish

VOLTAGE / RESISTOR: Bulb Dependent

LENS CAP OPTIONS:
Stovepipe
Non-Diffused, Translucent, Diffused
Available with internal fluting

MILITARY COMPLIANT: Yes
MILITARY CROSS #: LH77/3

CERTIFICATIONS & RATINGS
Watertight

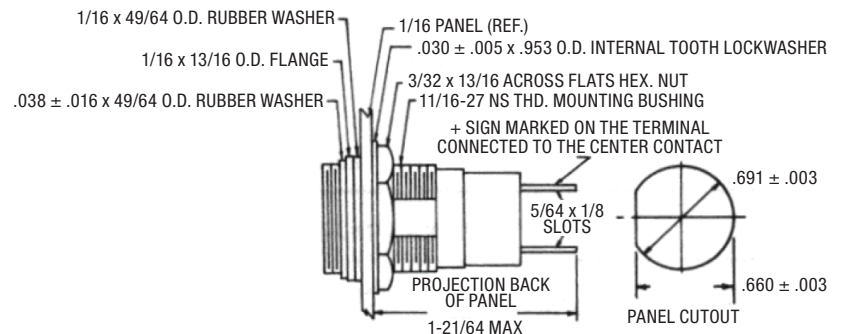
FEATURES & BENEFITS

- For mounting in 11/16" clearance hole
- Meets MIL-L-3661C requirements
- Watertight screw-on lens cap

APPLICATION

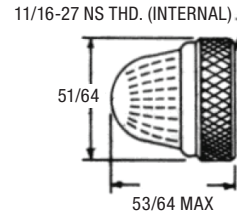
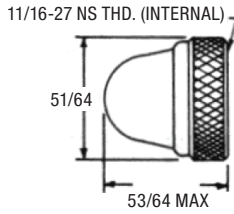
- Ground vehicles
- Power distribution centers
- Command and control centers
- Aircraft cockpits
- Naval vessels
- Underwater vehicles
- Surveillance systems
- Aircraft carrier decks
- Search and rescue equipment
- Surveillance drones
- UAV's
- and many more....

DIMENSIONS inches [mm]







Base, bulb, and cap are required for a complete indicator assembly and need to be purchased separately.







ORDERING INFORMATION









STOVEPIPE LENS CAP
Diffused

	Type Designation	Part Number	Lens Cap Color
	LC19RD3	169-1111-203	● Red
	LC19GD3	169-1112-203	● Green
	LC19YD3	169-1113-203	● Yellow
	LC19BD3	169-1114-203	● Blue
	LC19CD3	169-1117-203	○ Clear

Non-Diffused

	LC19RN3	169-1131-203	● Red
	LC19GN3	169-1132-203	● Green
	LC19YN3	169-1133-203	● Yellow
	LC19BN3	169-1134-203	● Blue
	LC19WT3	169-1135-203	○ White
	LC19CN3	169-1137-203	○ Clear

STOVEPIPE LENS CAP
Non-Diffused With Internal Fluting

	Type Designation	Part Number	Lens Cap Color
	LC20RN3	169-1191-203	● Red
	LC20GN3	169-1192-203	● Green
	LC20YN3	169-1193-203	● Yellow
	LC20BN3	169-1194-203	● Blue
	LC20WT3	169-1195-203	○ White
	LC20CN3	169-1197-203	○ Clear



378 SERIES Indicator Base

MECHANICAL / SPECIFICATIONS

PART NUMBERS:
[378-3402-01-203](#)

MOUNTING HOLE SIZE:
1" clearance hole

MOUNTING ORIENTATION: Front

BULB BASE SIZE:
S6 double contact bayonet base

TERMINATION:
Brass solder terminals, hot tinned

HOUSING FINISH:
Brass housing, black nickel finish

HARDWARE:
Mounting nut: Brass, white nickel finish

INTERNAL-TOOTH LOCKWASHER:
Phosphor bronze, white nickel finish

VOLTAGE:
24v-250v, bulb dependent

LENS CAP OPTIONS:
Convex or Torpedo Lens, Translucent or Diffused

MILITARY COMPLIANT: Yes

MILITARY CROSS #: LH79/1

CERTIFICATIONS & RATINGS

Watertight

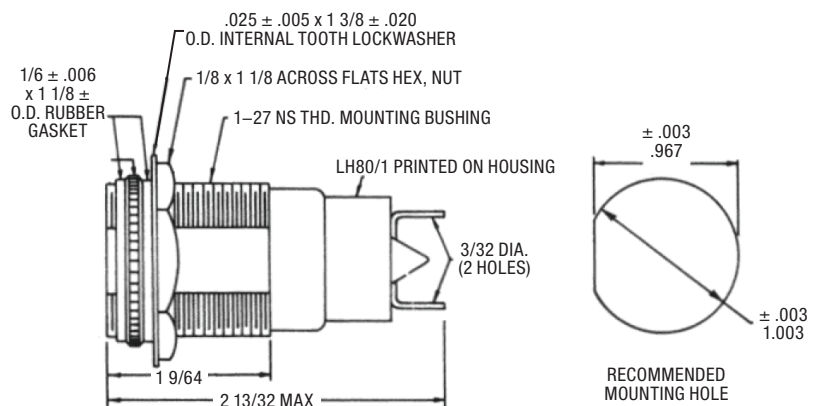
FEATURES & BENEFITS

- For mounting in 1" clearance hole
- Meets MIL-L-3661C requirements
- Watertight screw-on lens cap

APPLICATION

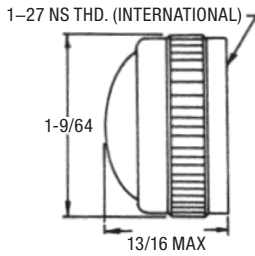
- Ground vehicles
- Power distribution centers
- Command and control centers
- Aircraft cockpits
- Naval vessels
- Underwater vehicles
- Surveillance systems
- Aircraft carrier decks
- Search and rescue equipment
- Surveillance drones
- UAV's
- and many more....

DIMENSIONS inches [mm]

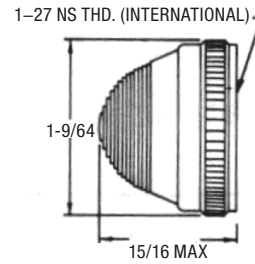


Base, bulb, and cap are required for a complete indicator assembly and need to be purchased separately.

ORDERING INFORMATION



CONVEX LENS CAP



TORPEDO LENS CAP

CONVEX LENS CAP

	Type Designation	Part Number	Color
	LC21RN3	051-0131-203	● Red
	LC21GN3	051-0132-203	● Green
	LC21YN3	051-0133-203	● Yellow
	LC21BN3	051-0134-203	● Blue
	LC21WT3	051-0135-203	○ White
	LC21CN3	051-0137-203	○ Clear
	LC21RD3	051-0111-203	● Red
	LC21GD3	051-0112-203	● Green
	LC21YD3	051-0113-203	● Yellow
	LC21BD3	051-0114-203	● Blue
	LC21CD3	051-0117-203	○ Clear

TORPEDO LENS CAP

	Type Designation	Part Number	Color
	LC22RN3	080-0531-203	● Red
	LC22GN3	080-0532-203	● Green
	LC22YN3	080-0533-203	● Yellow
	LC24BN3	080-0534-203	● Blue
	LC22WT3	080-0535-203	○ White
	LC22CN3	080-0537-203	○ Clear
	LC22RD3	080-0511-203	● Red
	LC22GD3	080-0512-203	● Green
	LC22YD3	080-0513-203	● Yellow
	LC22BD3	080-0514-203	● Blue
	LC22CD3	080-0517-203	○ Clear



Dialight reserves the right to make changes at any time in order to supply the best product possible. The most current version of this document will always be available at: www.dialightsignalsandcomponents.com

Warranty Statement: Except for the warranty expressly provided for at: www.dialight.com/resources/warranties/, Dialight disclaims any and all other warranties, express or implied, including, without limitation, any warranties of merchantability, fitness for a particular purpose, title, and noninfringement.



081 SERIES Jewel Lens Cap

MECHANICAL / SPECIFICATIONS

LENS MOUNTING TORQUE:
3 in/lbs

LENS THREAD:
9/16 - 27NS

LENS MATERIAL:
Polycarbonate

HOUSING MOUNTING HOLE SIZE:
0.5875" (17.46 mm)

HOUSING MOUNTING TORQUE:
20 in/lbs

ELECTRICAL CONNECTION:
Solder Terminals, Screw Terminals

TERMINALS:
Nickel—Tin Plated

LOCK WASHER:
Steel—Zinc Plated

NUT:
Brass—Nickel Plated

FEATURES & BENEFITS

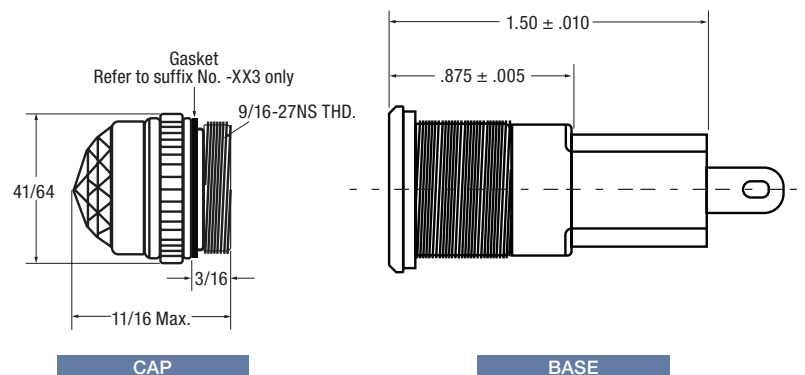
- Retro aesthetic/old school Aesthetic
- Customization
- Watertight versions available
- Variety of bulb types
- White nickel or polished chrome plating options

APPLICATION

Dialight's 081 Series Jewel Lens Cap is designed to give all your applications a nice clean retro look. These lenses are designed for a variety of applications such as:

- Musical equipment
- Amplifiers
- Instrumentation
- Main and remote power indication

DIMENSIONS inches [mm]



ORDERING INFORMATION

JEWEL LENS CAP

Part Number	Watertight P/N	Color	Plating
081-0431-100		● Red	White Nickel
081-0431-300	081-0431-303		Polished Chrome
081-0432-100		● Green	White Nickel
081-0432-300	081-0432-303		Polished Chrome
081-0433-100		● Yellow	White Nickel
081-0433-300	081-0433-303		Polished Chrome
081-0434-100		● Blue	White Nickel
081-0434-300	081-0434-303		Polished Chrome
081-0435-100		○ White	White Nickel
081-0435-300	081-0435-303		Polished Chrome
081-0436-100		● Light Yellow	White Nickel
081-0437-100		○ Clear	White Nickel
081-0437-300	081-0437-303		Polished Chrome

HOUSING/BASE OPTIONS

Part Number	Termination	Bulb Type	Bulb Size
095-0410-09-102	Solder Terminals	Incandescent/LED	T-3 1/4
095-0410-09-301	Solder Terminals		
095-1310-09-301	Screw Terminals		
081-1408-01-343	Solder Terminals	Neon	
081-1308-01-343	Screw Terminals		



Dialight reserves the right to make changes at any time in order to supply the best product possible. The most current version of this document will always be available at: www.dialightsignalsandcomponents.com

Warranty Statement: Except for the warranty expressly provided for at: www.dialight.com/resources/warranties/, Dialight disclaims any and all other warranties, express or implied, including, without limitation, any warranties of merchantability, fitness for a particular purpose, title, and noninfringement.



585 SERIES Cluster Based LED T3 1/4 Miniature Bayonet (BA9s)

MECHANICAL / SPECIFICATIONS

BASE:

T3 1/4 Miniature Bayonet (BA9s)

VOLTAGE OPTIONS:

6, 14 and 28 V DC; 120 V AC

OPERATING TEMPERATURE:

-30°C to +85°C (-22°F to +185°F)

STORAGE TEMPERATURE:

-40°C to +100°C (-40°F to +212°F)

CERTIFICATIONS & RATINGS

RoHS compliant

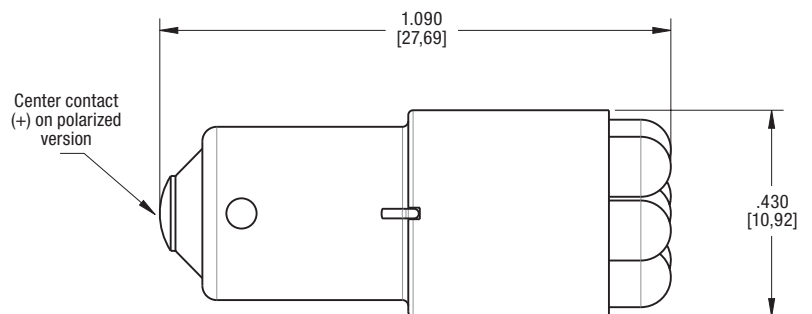
FEATURES & BENEFITS

- Longer life
- Energy savings - 90% less power required
- High reliability - vibration and shock resistant
- Mount directly into industry standard socket
- Super bright LED cluster design
- Polarized and non-polarized
- No heat generated

APPLICATION

- Control panels
- Instrumentation
- Warning lights
- Communication equipment
- Portable equipment
- ...And many more!

DIMENSIONS inches [mm]



Measurements are typical

ORDERING INFORMATION

POLARIZED LED BULBS

Dialight P/N	Color	Peak Wavelength (nm)	Voltage (V DC)	Forward Current Typ. (mA)	Intensity Typ. (mcd)
585-5211F	● Red	660	6	60	480
585-5311F	● Green	565	6	60	420
585-5511F	● Yellow	592	6	90	1800
585-5213F	● Red	660	14	40	480
585-5313F	● Green	565	14	40	420
585-5513F	● Yellow	592	14	60	1800
585-5215F	● Red	660	28	20	560
585-5315F	● Green	565	28	20	490
585-5515F	● Yellow	592	28	30	2100

NON-POLARIZED LED BULBS

585-5223F	● Red	660	14	40	480
585-5323F	● Green	565			420
585-5523F	● Yellow	592		60	1800
585-5225F	● Red	660	28	20	560
585-5325F	● Green	565			490
585-5525F	● Yellow	592		30	2100
585-5256F	● Red	660	120 V AC	9	252
585-5356F	● Green	565			220
585-5556F	● Yellow	585			945



Dialight reserves the right to make changes at any time in order to supply the best product possible. The most current version of this document will always be available at: www.dialightsignalsandcomponents.com

Warranty Statement: Except for the warranty expressly provided for at: www.dialight.com/resources/warranties/, Dialight disclaims any and all other warranties, express or implied, including, without limitation, any warranties of merchantability, fitness for a particular purpose, title, and noninfringement.



585 SERIES
Multi-Chip Based LED
T1 3/4 Midget Flange

MECHANICAL / SPECIFICATIONS

BASE:
T1 3/4 Midget Flange

VOLTAGE OPTIONS:
6,14, and 28 V DC

OPERATING TEMPERATURE:
-20°C to +60°C (-4°F to +140°F)

STORAGE TEMPERATURE:
-30°C to +100°C (-22°F to +212°F)

CERTIFICATIONS & RATINGS
RoHS compliant

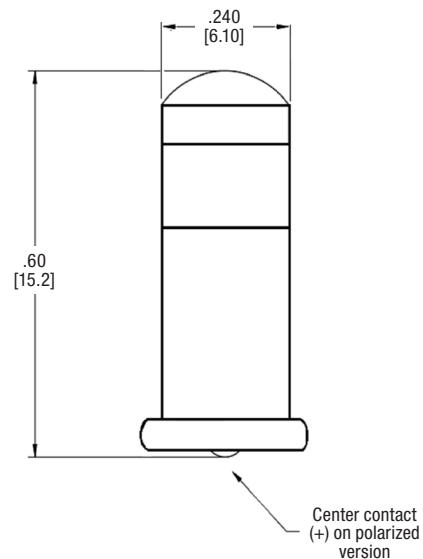
FEATURES & BENEFITS

- Longer life
- Energy savings - 90% less power required
- Mounts directly into industry standard socket
- Polarized and non-polarized

APPLICATION

- Control panels
- Instrumentation
- Warning lights
- Communication equipment
- Portable equipment
- ...And many more!

DIMENSIONS inches [mm]



Measurements are typical

ORDERING INFORMATION

POLARIZED LED BULBS

Dialight P/N	Color	Peak Wavelength (nm)	Voltage (V DC)	Current Typ. (mA)	Intensity Typ. (mcd)
585-1211F	● Red	660	6	50	67
585-1311F	● Green	565		46	77
585-1411F	● Yellow	585		44	22
585-1213F	● Red	660	14	30	60
585-1313F	● Green	565		28	70
585-1413F	● Yellow	585		30	23
585-1215F	● Red	660	28	16	64
585-1315F	● Green	565		15	75
585-1415F	● Yellow	585		15	23

NON-POLARIZED LED BULBS

585-1221F	● Red	660	6	75	50
585-1321F	● Green	565		67	56
585-1421F	● Yellow	585		73	18
585-1223F	● Red	660	14	26	50
585-1323F	● Green	565		23	56
585-1423F	● Yellow	585		24	18
585-1225F	● Red	660	28	14	56
585-1325F	● Green	565		13	65
585-1425F	● Yellow	585		13	20



Dialight reserves the right to make changes at any time in order to supply the best product possible. The most current version of this document will always be available at: www.dialightsignalsandcomponents.com

Warranty Statement: Except for the warranty expressly provided for at: www.dialight.com/resources/warranties/, Dialight disclaims any and all other warranties, express or implied, including, without limitation, any warranties of merchantability, fitness for a particular purpose, title, and noninfringement.



586 SERIES

**Daylight Viewable
Cluster Based LED**

T3 1/4 Miniature Bayonet (BA9s)

MECHANICAL / SPECIFICATIONS

BASE:

T3 1/4 Miniature Bayonet (BA9s)

VOLTAGE OPTIONS:

6,14, and 28 V DC; 120 V AC

OPERATING TEMPERATURE:

-30C to +85°C (-22°F to +185°F)

STORAGE TEMPERATURE:

-40°C to +100°C (-40F to +212°F)

CERTIFICATIONS & RATINGS

RoHS compliant

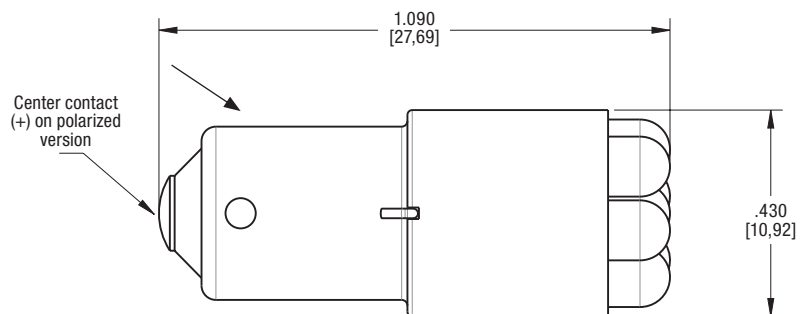
FEATURES & BENEFITS

- Longer life
- Energy savings - 90% less power required
- High reliability - vibration and shock resistant
- Mounts directly into industry standard sockets
- Polarized and non-polarized
- Super bright LED cluster design

APPLICATION

- Control panels
- Instrumentation
- Warning lights
- Communication equipment
- Portable equipment
- ...And many more!

DIMENSIONS inches [mm]



Measurements are typical

ORDERING INFORMATION

POLARIZED LED BULBS

Dialight P/N	Color	Peak Wavelength (nm)	Voltage (V DC)	Forward Current Typ. (mA)	Intensity Typ. (mcd)
586-6401-101F	Red	630	6	100	1000
586-6402-101F	Green	525		90	3800
586-6403-101F	Yellow	592		100	2000
586-6405-101F	Blue	470		90	850
586-6406-101F	White	*			4800
586-6401-103F	Red	630	14	50	1000
586-6402-103F	Green	525		40	3100
586-6403-103F	Yellow	592		50	2000
586-6405-103F	Blue	470		40	685
586-6406-103F	White	*			4800
586-6401-105F	Red	630	28	17	1000
586-6402-105F	Green	525		13	3600
586-6403-105F	Yellow	592		17	2000
586-6405-105F	Blue	470		13	780
586-6406-105F	White	*			4200

NON-POLARIZED LED BULBS

586-6401-201F	Red	630	6	100	1000
586-6402-201F	Green	525		70	3400
586-6403-201F	Yellow	592		100	2000
586-6405-201F	Blue	470		70	685
586-6406-201F	White	*			4000
586-6401-203F	Red	630	14	50	1000
586-6402-203F	Green	525		40	3400
586-6403-203F	Yellow	592		50	2000
586-6405-203F	Blue	470		40	685
586-6406-203F	White	*			4000
586-6401-205F	Red	630	28	18	1000
586-6402-205F	Green	525		11	3400
586-6403-205F	Yellow	592		18	2000
586-6405-205F	Blue	470		11	685
586-6406-205F	White	*			4000
586-6401-206F	Red	630	120 V AC	9	500
586-6402-206F	Green	526			2400
586-6403-206F	Yellow	592			1000
586-6405-206F	Blue	472			565
586-6406-206F	White	*			3000

*Color coordinates: x=0.330, y=0.365



Dialight reserves the right to make changes at any time in order to supply the best product possible. The most current version of this document will always be available at: www.dialightsignalsandcomponents.com

Warranty Statement: Except for the warranty expressly provided for at: www.dialight.com/resources/warranties/, Dialight disclaims any and all other warranties, express or implied, including, without limitation, any warranties of merchantability, fitness for a particular purpose, title, and noninfringement.



586 SERIES Multi-Chip Based LED T3 1/4 Miniature Bayonet (BA9s)

MECHANICAL / SPECIFICATIONS

BASE:

T3 1/4 Miniature Bayonet (BA9s)

VOLTAGE OPTIONS:

6,14, and 28 V DC, 6-36 V DC

OPERATING TEMPERATURE:

-30°C to +85°C (-22°F to +185°F)

STORAGE TEMPERATURE:

-40°C to +100°C (-40F to +212°F)

CERTIFICATIONS & RATINGS

RoHS compliant

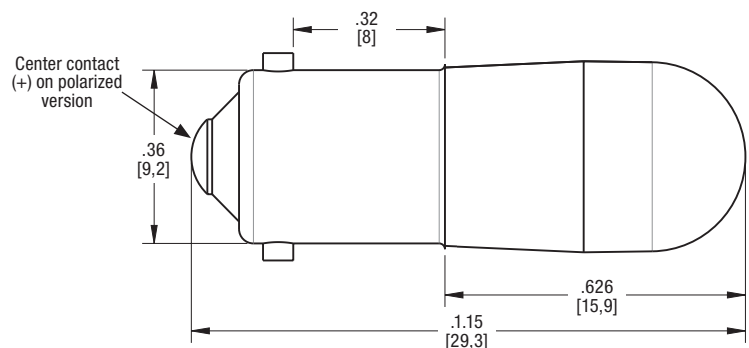
FEATURES & BENEFITS

- Longer life
- Energy savings - 90% less power required
- High reliability - vibration and shock resistant
- Mounts directly into industry standard socket
- True non-polarized configurations available
- No heat generated
- Super bright single chip design

APPLICATION

- Control panels
- Instrumentation
- Warning lights
- Communication equipment
- Portable equipment
- ...And many more!

DIMENSIONS inches [mm]



Measurements are typical

ORDERING INFORMATION

POLARIZED LED BULBS

Dialight P/N	Color	Peak Wavelength (nm)	Voltage (V DC)	Current Typ. (mA)	Intensity Typ. (mcd)
586-2401-101F	● Red	630	6	15	1050
586-2402-101F	● Green	525			1650
586-2403-101F	● Yellow	592			1275
586-2405-101F	● Blue	470			487
586-2406-101F	○ White	*			825
586-2401-103F	● Red	630	14		1050
586-2402-103F	● Green	525			1650
586-2403-103F	● Yellow	592			1275
586-2405-103F	● Blue	470			487
586-2406-103F	○ White	*			825
586-2401-105F	● Red	630	28		1050
586-2402-105F	● Green	525			1650
586-2403-105F	● Yellow	592			1275
586-2405-105F	● Blue	470			487
586-2406-105F	○ White	*			825

NON-POLARIZED LED BULBS

586-2401-201F	● Red	630	6	15	1050
586-2402-201F	● Green	525			1650
586-2403-201F	● Yellow	592			1275
586-2405-201F	● Blue	470			487
586-2406-201F	○ White	*			825
586-2401-203F	● Red	630	14		1050
586-2402-203F	● Green	525			1650
586-2403-203F	● Yellow	592			1275
586-2405-203F	● Blue	470			487
586-2406-203F	○ White	*			825
586-2401-205F	● Red	630	28		525
586-2402-205F	● Green	525			825
586-2403-205F	● Yellow	592			637
586-2405-205F	● Blue	470			243
586-2406-205F	○ White	*			412
586-2401-220F	● Red	630	6-36	10	1000
586-2402-220F	● Green	525			1500
586-2403-220F	● Yellow	592			550
586-2405-220F	● Blue	470			200
586-2406-220F	○ White	*			650

*Color coordinates: x=0.330, y=0.365



Dialight reserves the right to make changes at any time in order to supply the best product possible. The most current version of this document will always be available at: www.dialightsignalsandcomponents.com

Warranty Statement: Except for the warranty expressly provided for at: www.dialight.com/resources/warranties/, Dialight disclaims any and all other warranties, express or implied, including, without limitation, any warranties of merchantability, fitness for a particular purpose, title, and noninfringement.



586 SERIES

Single Chip Based LED

T1 3/4 Midget Flange

MECHANICAL / SPECIFICATIONS

BASE:

T1 3/4 Midget Flange

VOLTAGE OPTIONS:

6,14, and 28 V DC

OPERATING TEMPERATURE:

-40°C to +80°C (-40°F to +176°F)

STORAGE TEMPERATURE:

-40°C to +100°C (-40°F to +212°F)

CERTIFICATIONS & RATINGS

RoHS compliant

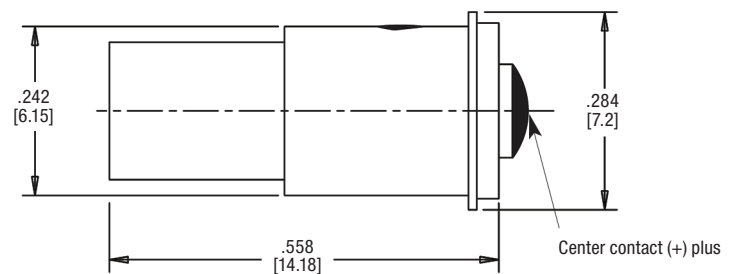
FEATURES & BENEFITS

- Longer life
- Energy savings - 90% less power required
- High reliability - vibration and shock resistant
- Mounts directly into industry standard socket
- AllnGaP and InGaN die technology
- Super bright single chip design
- No heat generated

APPLICATION

- Control panels
- Instrumentation
- Warning lights
- Communication equipment
- Portable equipment
- ...And many more!

DIMENSIONS inches [mm]



Measurements are typical

ORDERING INFORMATION

Dialight P/N	Color	Peak Wavelength (nm)	Voltage (V DC)	Current Typ. (mA)	Intensity Typ. (mcd)
586-1101-101F	● Red	639	6	10	775
586-1102-101F	● Green	520			600
586-1103-101F	● Yellow	592			775
586-1105-101F	● Blue	467			210
586-1106-101F	○ White	*			460
586-1101-103F	● Red	639			14
586-1102-103F	● Green	520	600		
586-1103-103F	● Yellow	592	775		
586-1105-103F	● Blue	467	210		
586-1106-103F	○ White	*	460		
586-1101-105F	● Red	639	28		
586-1102-105F	● Green	520			600
586-1103-105F	● Yellow	592			775
586-1105-105F	● Blue	467			210
586-1106-105F	○ White	*			460

*Color coordinates: x=0.320, y=0.320



Dialight reserves the right to make changes at any time in order to supply the best product possible. The most current version of this document will always be available at: www.dialightsignalsandcomponents.com

Warranty Statement: Except for the warranty expressly provided for at: www.dialight.com/resources/warranties/, Dialight disclaims any and all other warranties, express or implied, including, without limitation, any warranties of merchantability, fitness for a particular purpose, title, and noninfringement.

MILITARY SPECIFICATION
MIL-DTL-3661C Lampholders, Indicator Lights, Indicator Light Housings, Indicator Light Lenses

Military Designation	Dialight Part Number
LC11BN2	178-0334-500
LC11BT2	178-0374-500
LC11CN2	*178-0337-500
LC11GN2	178-0332-500
LC11GT2	178-0372-500
LC11RN2	*178-0331-500
LC11RT2	178-0371-500
LC11WT2	178-0375-500
LC11YN2	*178-0333-500
LC11YT2	178-0373-500
LC12BN2	162-0934
LC12BT2	162-0974
LC12CN2	*162-0937
LC12GN2	162-0932
LC12GT2	162-0972
LC12RN2	*162-0931
LC12RT2	162-0971
LC12WT2	162-0975
LC12YN2	*162-0933
LC12YT2	162-0973
LC13CN2	*137-0937
LC13RN2	*137-0931
LC13WT2	*137-0935
LC13YN2	*137-0933
LC14BD3	081-0114-203
LC14BN3	081-0134-203
LC14CD3	081-0117-203
LC14CN3	*081-0137-203
LC14GD3	081-0112-203
LC14GN3	081-0132-203
LC14RD3	081-0111-203
LC14RN3	*081-0131-203
LC14WT3	*081-0135-203
LC14YD3	081-0113-203
LC14YN3	*081-0133-203
LC15BD3	026-1114-203
LC15BN3	026-1134-203
LC15CN3	*026-1137-203
LC15GD3	026-1112-203
LC15GN3	026-1132-203
LC15RD3	026-1111-203
LC15RN3	*026-1131-203
LC15WT3	*026-1135-203
LC15YD3	026-1113-203
LC15YN3	*026-1133-203
LC16BN3	026-1194-203
LC16CN3	*026-1197-203
LC16GN3	026-1192-203
LC16RN3	*026-1191-203
LC16WT3	*026-1195-203
LC16YN3	*026-1193-203
LC17BD3	203-0114-203
LC17BN3	203-0134-203
LC17CD3	203-0117-203
LC17CN3	*203-0137-203
LC17GD3	203-0112-203
LC17GN3	203-0132-203
LC17RD3	203-0111-203
LC17RN3	*203-0131-203
LC17WT3	*203-0135-203

Military Designation	Dialight Part Number
LC17YD3	203-0113-203
LC17YN3	*203-0133-203
LC18BD3	204-0114-203
LC18BN3	204-0134-203
LC18CD3	204-0117-203
LC18CN3	*204-0137-203
LC18GD3	204-0112-203
LC18GN3	204-0132-203
LC18RD3	204-0111-203
LC18RN3	*204-0131-203
LC18YD3	204-0113-203
LC18YN3	*204-0133-203
LC19BD3	169-1114-203
LC19BN3	169-1134-203
LC19CD3	169-1117-203
LC19CN3	*169-1137-203
LC19GD3	169-1112-203
LC19GN3	169-1132-203
LC19RD3	169-1111-203
LC19RN3	*169-1131-203
LC19WT3	*169-1135-203
LC19YD3	169-1113-203
LC19YN3	*169-1133-203
LC20BN3	169-1194-203
LC20CN3	*169-1197-203
LC20GN3	169-1192-203
LC20RN3	*169-1191-203
LC20WT3	*169-1195-203
LC20YN3	*169-1193-203
LC21BD3	051-0114-203
LC21BN3	051-0134-203
LC21CD3	051-0117-203
LC21CN3	*051-0137-203
LC21GD3	051-0112-203
LC21GN3	051-0132-203
LC21RD3	051-0111-203
LC21RN3	*051-0131-203
LC21WT3	*051-0135-203
LC21YD3	051-0113-203
LC21YN3	*051-0133-203
LC22BD3	080-0514-203
LC22BN3	080-0534-203
LC22CD3	080-0517-203
LC22CN3	*080-0537-203
LC22GD3	080-0512-203
LC22GN3	080-0532-203
LC22RD3	080-0511-203
LC22RN3	*080-0531-203
LC22WT3	*080-0535-203
LC22YD3	080-0513-203
LC22YN3	*080-0533-203
LC25BN2	239-0334-500
LC25BT2	239-0374-500
LC25CN2	*239-0337-500
LC25GN2	239-0332-500
LC25GT2	239-0372-500
LC25RN2	*239-0331-500
LC25RT2	239-0371-500
LC25WT2	239-0375-500
LC25YN2	*239-0333-500

Military Designation	Dialight Part Number
LC25YT2	239-0373-500
LC29BN2	162-1434
LC29BT2	162-1474
LC29CN2	*162-1437
LC29GN2	162-1432
LC29GT2	162-1472
LC29RN2	*162-1431
LC29RT2	162-1471
LC29WT2	162-1475
LC29YN2	*162-1433
LC29YT2	162-1473
LC30BN3	250-3534-500
LC30GN3	250-3532-500
LC30RN3	250-3531-500
LC30WT3	250-3535-500
LC30YN3	250-3533-500
LC32BT2	250-1474-500
LC32GT2	250-1472-500
LC32RT2	250-1471-500
LC32WT2	250-1475-500
LC32YT2	250-1473-500
LC33CN2	*130-0937-003
LC33RN2	*130-0931-003
LC33WT2	*130-0935-003
LC33YN2	*130-0933-003
LC34CN2/DO2	*271-0171
LC34CN2/SO2	*271-0272
LC34EN2/DO2	*271-0111
LC34EN2 /EN2	*271-3111
LC34EN2/SO2	*271-0212
LC35RN2	128-0931-003
LC35GN2	128-0932-003
LC35YN2	128-0933-003
LC35BN2	128-0934-003
LC35CN2	128-0937-003
LC35RT2	128-0971-003
LC35GT2	128-0972-003
LC35YT2	128-0973-003
LC35BT2	128-0974-003
LC35WT2	128-0975-003
LC36GD2	160-0112-203
LC36RD2	160-0111-203
LC36YD2	160-0113-203
LC37BD2	161-0114-203
LC37CD2	161-0117-203
LC37GD2	161-0112-203
LC37RD2	161-0111-203
LC37YD2	161-0113-203
LH73/1	359-8430-09-502
LH73/2	362-8430-09-702
LH74/1	361-8836-09-552
LH74/2	361-8864-09-522
LH74/3	364-8836-09-752
LH74/4	364-8864-09-722
LH76/1	373-0408-01-273
LH76/2	373-0463-01-223
LH76/3	373-0410-01-203
LH77/1	377-0408-11-273
LH77/2	377-0463-11-223
LH77/3	377-0410-11-203

*Can be used with Based LED Replacement Lamps

MILITARY SPECIFICATION

MIL-DTL-3661C Lampholders, Indicator Lights, Indicator Light Housings, Indicator Light Lenses

Military Designation	Dialight Part Number
LH79/1	378-3404-01-203
LH80/1	378-3402-01-203
LH88/1	366-8836-09-553
LH88/2	366-8864-09-523
LH89/1	367-8430-09-503
LH90/1	370-8738-504
LH90/2	371-8738-14-504
LH90/3	371-8760-14-504
LH92/1	271-8430-702
LHC82/1BT2	252-9951-0974
LHC82/1CN2	252-9951-0937
LHC82/1GT2	252-9951-0972
LHC82/1RT2	252-9951-0971
LHC82/1WT2	252-9951-0975
LHC82/1YT2	252-9951-0973
MS18235-1BT	507-3909-1474-600
MS18235-2GT	507-3914-1472-600
MS18235-2RT	507-3914-1471-600
MS18235-2WT	507-3914-1475-600

Military Designation	Dialight Part Number
MS18235-2YT	507-3914-1473-600
MS18235-3BT	507-3918-1474-600
MS18235-3CN	507-3918-1437-600
MS18235-3GT	507-3918-1472-600
MS18235-3RT	507-3918-1471-600
MS18235-3WT	507-3918-1475-600
MS18235-3YT	507-3918-1473-600
MS18236-1CN	507-5338-0937-630
MS18236-1RN	507-5338-0931-630
MS18236-1WT	507-5338-0935-630
MS18236-1YN	507-5338-0933-630
MS18236-2CN	507-5337-0937-670
MS18236-2RN	507-5337-0931-670
MS18236-2WT	507-5337-0935-670
MS18237-1CN	507-5338-1537-630
MS18237-1RN	507-5338-1531-630
MS18237-1WT	507-5338-1535-630
MS18237-1YN	507-5338-1533-630
MS18237-2RN	507-5337-1531-670

Military Designation	Dialight Part Number
MS18237-2WT	507-5337-1535-670
MS18237-2YN	507-5337-1533-670
MS25256-2	*162-8430-0933-502
MS25256-4	162-8430-0932-502
MS25256-6	*162-8430-0931-502
MS25256-8	*162-8430-0937-502
MS25256-10	162-8430-0975-502
MS25256-12	162-8430-0934-502
MS25257-2	137-8836-0933-552
MS25257-4	137-8836-0931-552
MS25257-6	137-8836-0937-552
MS25446-2**	252-9951-0974
MS25446-3**	252-9951-0972
MS25446-4**	252-9951-0971
MS25446-5**	252-9951-0975
MS25446-6**	252-9951-0973
MS25446-7**	252-9951-0937

** See LHC82/1

MILITARY SPECIFICATION

MIL-L-7806-Light, Panel Plastic Plate Lighting

Military Designation	Dialight Part Number
MS25010A11A	*270-1930-0111-702
MS25010A12A	*270-1930-0171-702
MS25010A13A	*270-1930-3111-702
MS25010A14A	CONSULT FACTORY
MS25010A15A	*270-1930-0212-702
MS25010A16A	*270-1930-0272-702

Military Designation	Dialight Part Number
MS25010B11A	*270-1830-0111-702
MS25010B12A	*270-1830-0171-702
MS25010B13A	*270-1830-3111-702
MS25010B14A	CONSULT FACTORY
MS25010B15A	*270-1830-0212-702
MS25010B16A	*270-1830-0272-702

Military Designation	Dialight Part Number
MS25010C11B	*271-8430-0111-702
MS25010C12B	*271-8430-0171-702
MS25010C13B	*271-8430-3111-702
MS25010C14B	*271-8430-3171-702
MS25010C15B	*271-8430-0212-702
MS25010C16B	*271-8430-0272-702

MILITARY SPECIFICATION

MIL-L-7961C-Light, Indicator, Press-to-Test

Military Designation	Dialight Part Number
MS25041-1	*801-1030-0337-504
MS25041-2	*801-1030-0331-504
MS25041-3	801-1030-0332-504
MS25041-4	*801-1030-0333-504
MS25041-5	*800-1030-0337-504
MS25041-6	*800-1030-0331-504

Military Designation	Dialight Part Number
MS25041-7	800-1030-0332-504
MS25041-8	*800-1030-0333-504
MS25041-10	801-1030-0334-504
MS25041-11	800-1030-0334-504
MS25331-1	804-1710-0337-504
MS25331-2	804-1710-0331-504

Military Designation	Dialight Part Number
MS25331-3	804-1710-0332-504
MS25331-4	804-1710-0333-504
MS25331-5	803-1710-0337-504
MS25331-6	803-1710-0331-504
MS25331-7	803-1710-0332-504
MS25331-8	803-1710-0333-504



556, 620, 621, 622, 623, 624 and 625 SERIES

- Impact Protection rating or the Mechanical Impact Protection rating, indicates the level of protection against mechanical impacts that an electronic device or appliance can withstand. It is a standard that classifies the degree of impact resistance of the device on a scale of 0 to 10, with 0 being the least and 10 being the highest level of protection (ie. IK07 vs IK10).



WITH GASKET ONLY:

556, 607, 609, 620, 621, 622, 623, 630, 656, 677, 678 protruding and 679 SERIES

- Dust-tight product
- Can withstand heavy seas and powerful jets of water



WITH GASKET ONLY:

620, 621, 622, 623, 656, 657, 658 SERIES

- Dust-tight product
- Can withstand immersion up to 1 meter



556, 607, 609, 620, 621, 623, 630, 656, 657, 658 677 and 679 SERIES

- Indoor and outdoor corrosion protection to front panel
- Can withstand a 200- and 600-hour salt spray test and a 1200-hour carbon-Sulphur dioxide test without pitting, cracking, or severe corrosion.



556, 630 and 656 SERIES

- Stringent safety testing for end customer use
- Validates that parts follow drawing specification and verifies functionality
- Inspections at manufacturing facility to verify consistent construction process



556 SERIES

- Tested and certified to be incapable, under normal operating conditions, of causing ignition to a specified flammable gas-, vapor- or dust-air mixture due to arcing or thermal means.



All LED Panel Mount Indicators, some with exemptions

- Restricts the use of the following substances: Lead, Mercury, Cadmium, Hexavalent chromium, Polybrominated biphenyls, Polybrominated diphenyl ethers, Bis phthalate, butyl benzyl phthalate, dibutyl phthalate, and diisobutyl phthalate

LITERATURE LIBRARY

Dialight offers a large selection of indicator solutions with varying levels of protection that are uniquely suited for operation in marine and military environments.

Dialight
Signals & Components



MARINE
PANEL MOUNT INDICATOR CATALOG

Dialight
Signals & Components



MIL-SPEC / MIL-COTS
PANEL MOUNT INDICATOR CATALOG

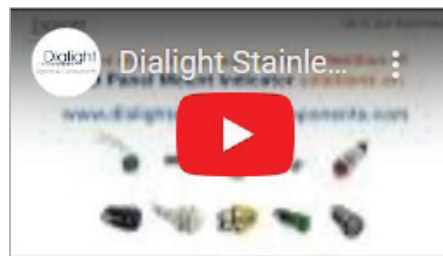
TECHNICAL INFORMATION CENTER



Check out our YouTube channel for a wide variety of informative videos including:



Panel Mount Indicator Overview



Stainless Steel Heavy-Duty LED Panel Mount Indicators



657 Series Bi- and Tri-Color Panel Mount Indicators



559 Series Rectangular LED Panel Mount Indicator



658 Series 1" Watertight Bi- and Tri-Color Panel Mount Indicator

Be sure to [SUBSCRIBE](#) to stay up to date with all the latest content

Circuit Board Indicators

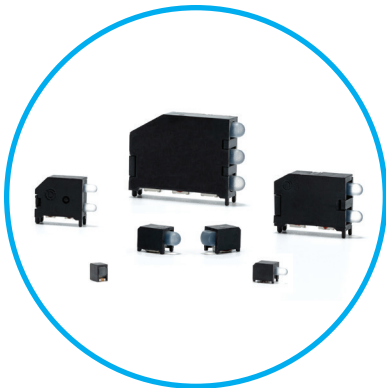


550, 551, 552, 553, 555, 561, 564, 566, 567, 568, 569, 570 AND 571 SERIES

CBI® Through Hole Discrete and housed LEDs

The widest variety of configurations including:

- Right angle, vertical and horizontal arrays in single, bi, tri and quad blocks
- 2mm, 3mm, 4mm, 5mm and rectangular LEDs
- Perfect for direct view or backlighting applications
- Single and bi-color, diffused, water-clear, tinted, super-bright and high efficiency
- Over 2500 variations, with custom LED placement available
- All visible colors of the spectrum available (from blue to red)



591, 592, 593, 594, 595 AND 596 SERIES

PRISM® Surface Mount LEDs Right Angle SMDs

- Fully SMD process compliant part (taped and reeled / pick and place / reflow oven compatible)
- 1.6mm, 2mm and 3mm LEDs
- Can withstand higher temp RoHS solder process and eliminates need for secondary optics or separate process
- Available in standard and low current versions
- Available with square or round lens
- Packaged in single, bi- and tri-level configurations



597, 598 AND 599 SERIES

microLED® Surface Mount LEDs

- Twenty plus different package sizes including: 0402, 0404, 0603, 0606, 0805, 1206, 1208, 1210, 1515, 2827, 3528, 4020, 5050, PLCC, Gullwing and 3735
- Single color, bi-color, tri-color in top, right angle, and reverse mount LED configurations
- Latest AlInGaP & InGaN technology
- Cost competitive pricing



515 SERIES

OPTOPIPE® Light Pipes for use with microLED® SMDs

- Light pipes act as a conduit for directing light from LED to front panel viewing
- For PCB and panel mount press-fit mounting
- Right angle and vertical versions available in more than 400 sizes and shapes
- Provides ESD protection, operating / storage temperature -30°C to +100°C
- Allows edge lighting around components such as SFP assemblies and RJ45 jacks
- UL 94V-0 Compliant

Panel Mount Indicators



585 AND 586

Based LED Bulbs

- Replaces traditional miniature incandescent bulbs with rugged long-lasting and energy-efficient LEDs
- Base styles including: T 1 3/4 Midget Flange, Wedge Base and Bi-Pin, T 3 1/4 Mini-Bayonet and Mini-Screw, T2 Telephone Slide and 15mm Bayonet
- Voltages from 6, 14 and 28 VDC, 6-36 VDC multi-voltage operation and 125 VAC with non-polarized versions available
- Colors include: red, green, yellow, blue and white while our 558, 559 and some 600 series use a snap-in plastic housing



249, 507, 556, 557, 558, 559, 605, 606, 607, 608, 609, 610, 612, 620, 621, 622, 623, 624, 625, 630, 653, 654, 655, 656 657, 658, 659, 675, 676, 677, 678, 679, 680 AND 682 SERIES

LED Panel Mount Indicators

Plastic and metal housings

- Incorporating the latest LED technology in a tamper-proof metal housing enclosures
- Variety of mounting hole diameters from 0.156" (3.9mm) - 1.18" (30 mm)
- Operating voltages 2-72 VDC, 125 and 230 VAC
- Some feature a water-tight seal to NEMA 4X / IP66/67 and daylight viewability
- Available in: red, green, yellow, orange, blue, cyan and white
- 556 and 656 series are UL certified
- RoHS compliant, some with 6C exemptions
- All metal and some plastic housing use lock washer and nut for secure mounting while our 558, 559 and some 600 series use a snap-in plastic housing



Military And Relampable Panel Mount Indicators

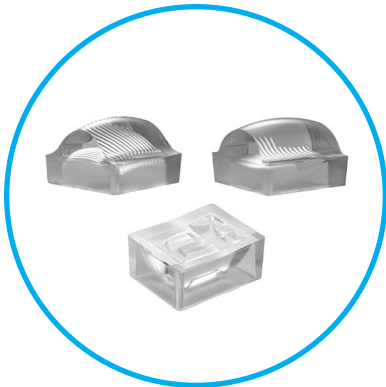
- Military - LH, LC and MS designations and QPL listed
- Incandescent or neon, designed to mount into 15/32", 11/16" and 1" clearance holes
- Feature water-tight and oil-tight, edge lighting, press-to-test, and dimmable semi or total blackout
- Consult Dialight's Military Cross Reference for specific part number
- Commercial - Incandescent or neon indicators UL recognized designed to mount into 15/32", 11/16" and 1" clearance holes
- Lenses are available in flat, dome, torpedo and faceted



OPT SERIES

TIR Optics

- High transmissivity
- UL rated optic material
- Optic only with tape or Optic pre-installed in housing with tape for mounting



OPT SERIES

Lens Optics

- High transmissivity
- UL rated optic material
- Lens includes locating pins for consistent alignment



OPT SERIES

Reflective Optics

- Only 11.5mm (0.453") maximum diameter
- Ideal for tightly spaced LED arrays
- Adhesive backing for easy installation. Adhesive rated from -40°C to +120°C (-40°F to +248°F)
- Automatic alignment feature
- Spot and wide versions available
- Universal version suites Cree XPC, XPE, XPG and standard Rebel LEDs

OE is **O**ur **E**xpertise.