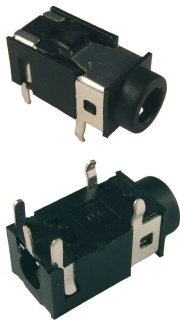


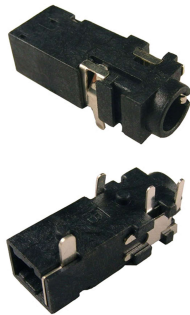
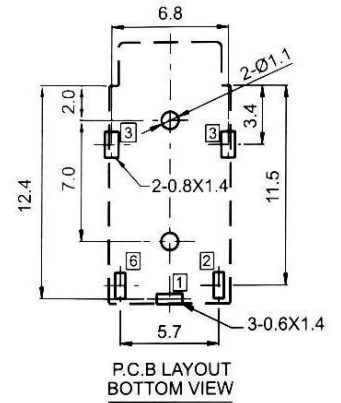
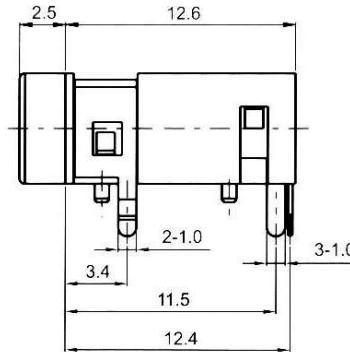
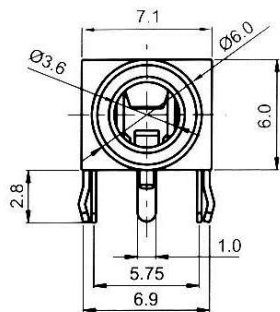
CLIFF

3.5mm 4 Pole Jack Sockets & Plugs



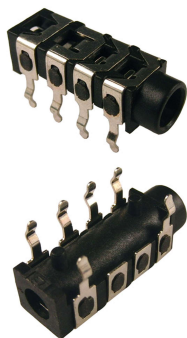
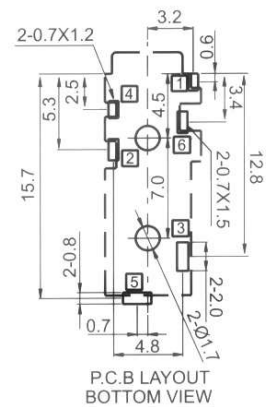
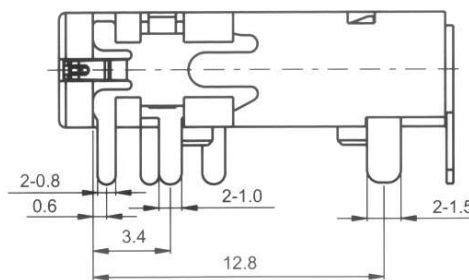
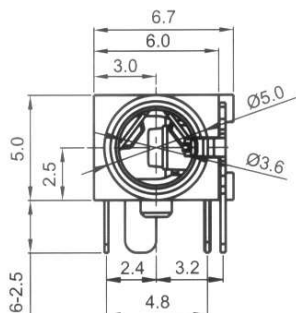
FC68125

Model No.	FC68125
Schematic	



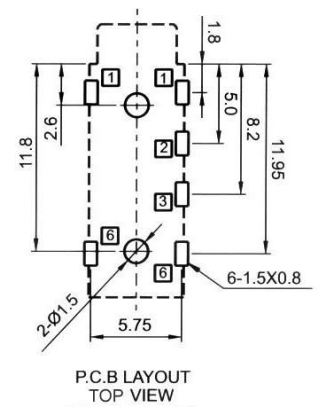
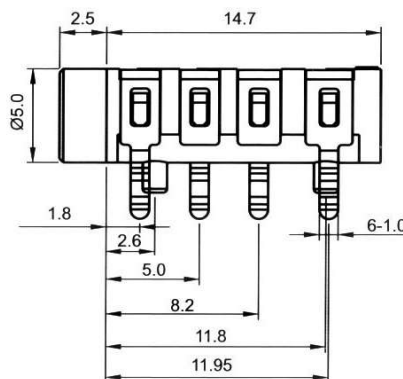
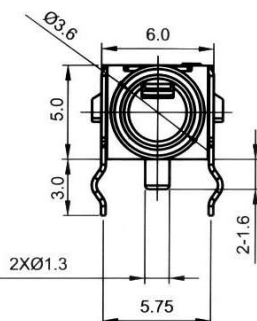
FC68126, FC68127

Model No.	Schematic
FC68126	
FC68127	



FC68128

Model No.	FC68128
Schematic	

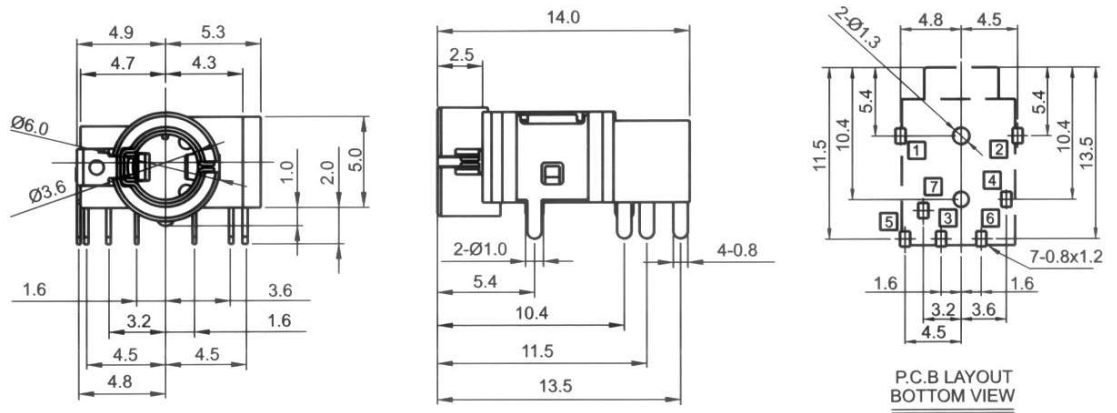
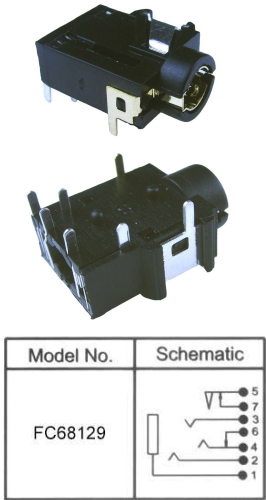


Not compatible with plug FC68124 or FC68124M. Suitable only for Jack plug cable FC68122C.

CLIFF

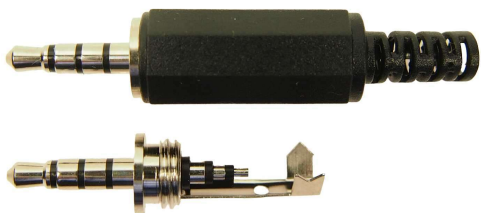
3.5mm 4 Pole Jack Sockets & Plugs

FC68129

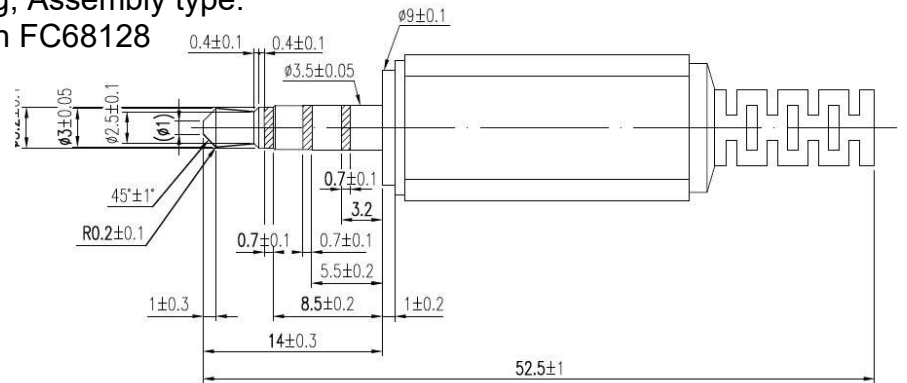


FC68124 - 3.5mm 4 pole Jack Plug, Assembly type.

Note: This plug is not to be used with FC68128

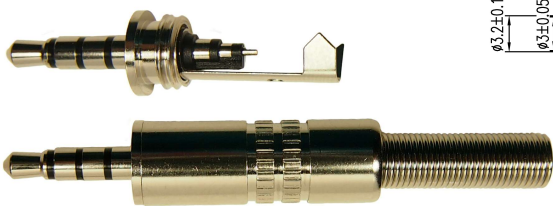


Max. cable diameter $\varnothing 4\text{mm}$

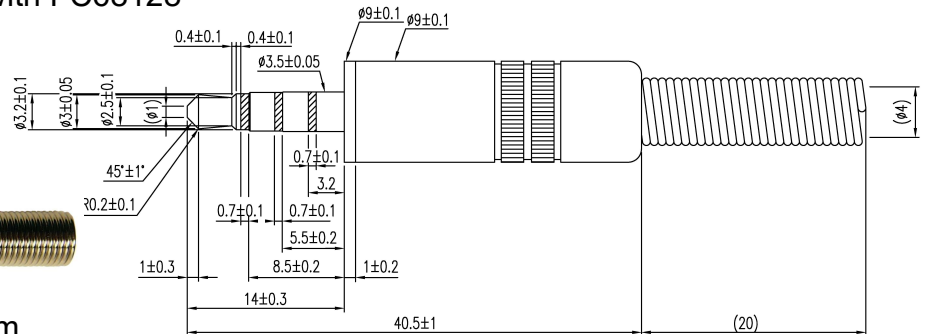


FC68124M - RFI Shielded 3.5mm 4 pole Jack Plug, Assembly type.

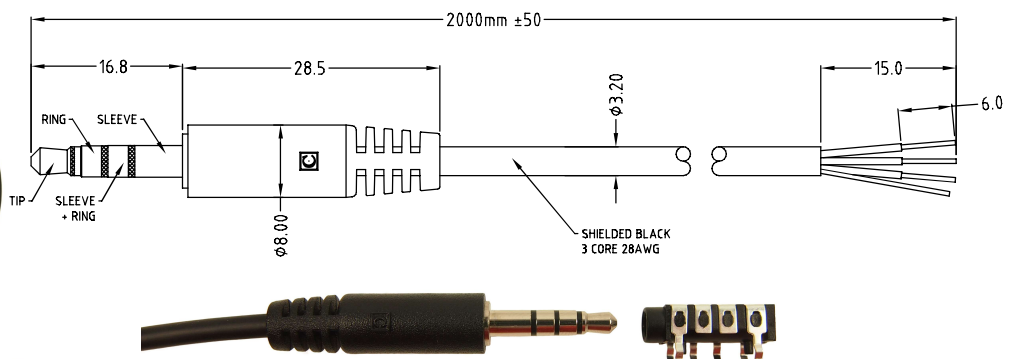
Note: This plug is not to be used with FC68128



Max. cable diameter $\varnothing 4\text{mm}$



FC68122C



For use with FC68128