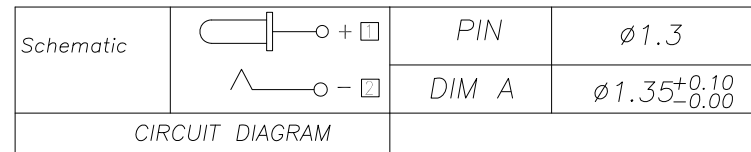
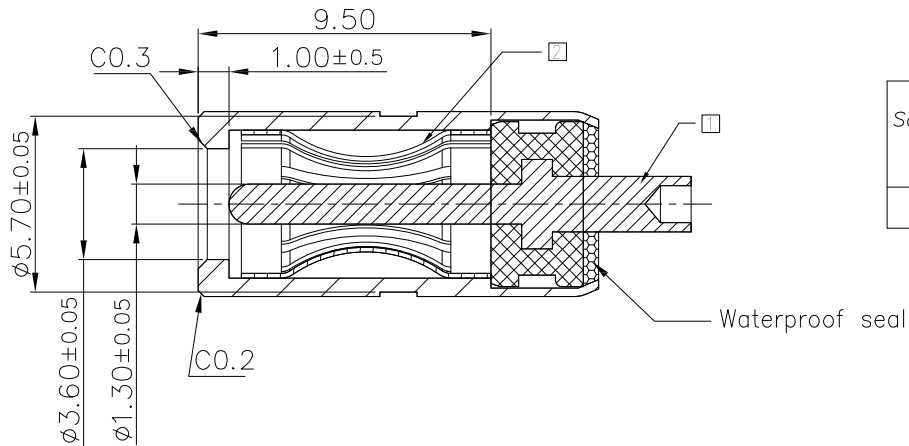
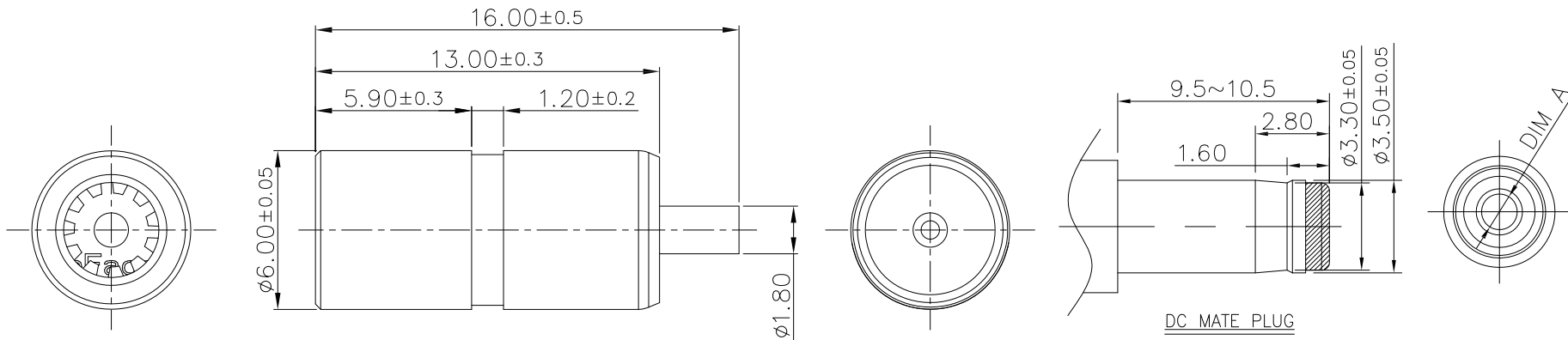


APPROVED: \_\_\_\_\_  
 DATE: \_\_\_\_\_ TITLE: \_\_\_\_\_

Rev	AWO #	Description	Date	Appr
-		RELEASED	4/2/19	



**SPECIFICATIONS:**

Material:  
 Housing: Hi-Temp Thermoplastic, reated UL94V-0, Color: Black  
 Spring: Phosphor Bronze, Tin plated  
 Center pin: Brass, Tin plated  
 Bushing: Brass, Nickel plated  
 Electrical:  
 Rating: 30VDC, 1A  
 Contact Resistance: 30 mohm max.  
 Insulation Resistane: 100 Mohm min. @ 500 VDC  
 Dielectric withstanding voltage: 500 VAC  
 Temperature Rating:  
 Operating temperature: -20°C to +70°C  
 Environmental:  
 Lead free, RoHS compliant.



UNLESS OTHERWISE SPECIFIED ALL DIMENSIONS ARE MILLIMETERS TOLERANCES: EXCEPT AS NOTED MM ANGLES .X ± 0.38 X ± 5° .XX ± 0.30 .X ± 3° .XXX ± 0.15 .XX ± 2°		<b>ADAM TECH</b> INTERCONNECTS 909 Rahway Avenue, Union, NJ 07083 Phone: 908-687-5000 Fax: 908-687-5710	
APPROVALS		DATE	
DRAWN	OW	4/2/19	
CHECKED	AC	4/2/19	
APPROVED			
TITLE DC POWER JACK, 1.30MM CENTER PIN , WATER PROOF: IPX7			
SIZE X	PART NO. ADC-119-4-WP	REV. -	
REF: S00002C	SCALE: NTS	SHEET 1 OF 1	