

DIN Power F-shroud, screw fix 1.6

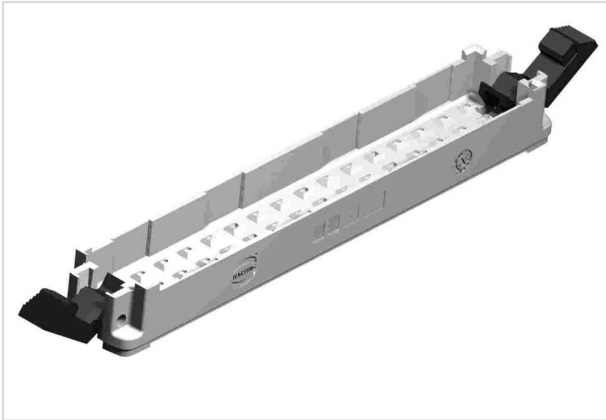


Image is for illustration purposes only. Please refer to product description.

Part number	09 06 002 9912
Specification	DIN Power F-shroud, screw fix 1.6
HARTING eCatalogue	https://harting.com/09060029912

Identification

Category	Accessories
Series	DIN 41612
Type of accessory	Pin shroud
Description of the accessory	for type F "low profile" with press-in pins Without locking levers

Version

Termination length	13 mm
Fixing	Screw fixing

Technical characteristics

Isolation group	IIIa ($175 \leq CTI < 400$)
PCB thickness	1.6 mm +0.8

Material properties

Material (accessories)	Thermoplastic
Colour (accessories)	RAL 7032 (pebble grey)
Material flammability class acc. to UL 94	V-0
RoHS	compliant
ELV status	compliant
China RoHS	e
REACH Annex XVII substances	Not contained
REACH ANNEX XIV substances	Not contained



Pushing Performance
Since 1945

Material properties

REACH SVHC substances	Not contained
-----------------------	---------------

Specifications and approvals

Railway classification	F1/I2 acc. to NFF 16-101/102
------------------------	------------------------------

Commercial data

Packaging size	20
Net weight	9.2 g
Country of origin	Romania
European customs tariff number	85366990
GTIN	5713140010789
ETIM	EC002943
eCl@ss	27440292 Connector component (accessories)