

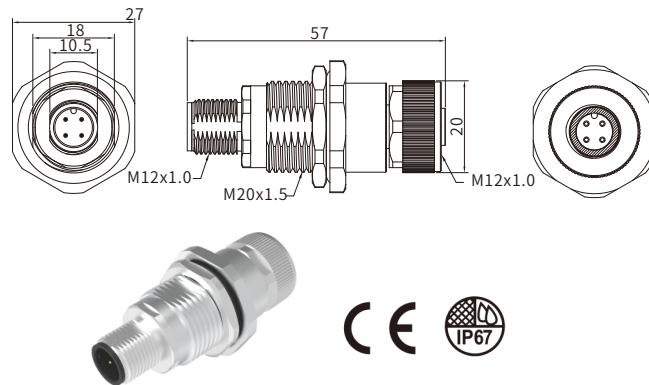
**Circular M12 Adapter, A Coding,
5 Position, Male-Female, 4A, 60V**

**RoHS
Compliant**

FEATURES

- M12
- 5 Position
- Male to Female
- Panel Mount

Stock No.: 9223093M0042




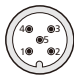


Product Description

Circular connectors offer rugged solutions that have been engineered for reliable performance in a wide variety of harsh environmental applications, including aerospace, broadcast, defense and security, electronics, energy, industrial, instrumentation, medical, and transportation.

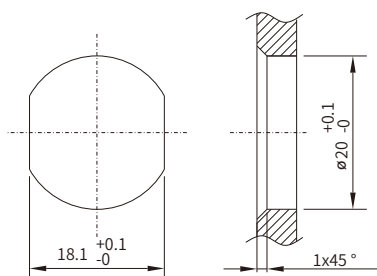
General Specifications

Attribute	Value
Standard	IEC 61076-2-101
Ambient Temperature	-25°C ~ +90°C
Connector Insert	PA+GF / TPU
Connector Contacts	Gold plated brass
Connector Body	-
Coupling Nut/Screw	Nickel plated brass
Seal/O-ring	Epoxy resin / FKM
Insulation Resistance	≥100MΩ
Contact Resistance	≤5mΩ
Shielding	Shielded
Ingress Protection	IP67, IP68 in locked condition
Mating Endurance	>500 cycles
Rated Current	4A
Rated Voltage	60V AC/DC
Panel Cut-out	-
PCB Layout	-

Product Drawing

Contacts	4	5
Pin Layout (Male)		
Pin Layout (Female)		

Panel Cut-out Dimensions



Dimensions: Millimeters (Inches)

Part Number Table

Part Number	Description
9223850M0226	Circular M12 Adapter, A Coding, 4 Position, Male-Female, 4A, 250V
9223093M0042	Circular M12 Adapter, A Coding, 5 Position, Male-Female, 4A, 60V

Important Notice: This data sheet and its contents (the "Information") belong to the members of the EASE group of companies (the "Group") or are licensed to it. No license is granted for the use of it other than for information purposes in connection with the products to which it relates. No license of any intellectual property rights is granted. The Information is subject to change without notice and replaces all data sheets previously supplied. The Information supplied is believed to be accurate, but the Group assumes no responsibility for its accuracy or completeness, any error in or omission from it or for any use made of it. Users of this data sheet should check for themselves the Information and the suitability of the products for their purpose and not make any assumptions based on information included or omitted. Liability for loss or damage resulting from any reliance on the Information or use of it (including liability resulting from negligence or where the Group was aware of the possibility of such loss or damage arising) is excluded. This will not operate to limit or restrict the Group's liability for death or personal injury resulting from its negligence. EASE is the registered trademark of Ease Electronics Co., Limited 2019.