



PUIaudio

Data Sheet

SMT-0840-T

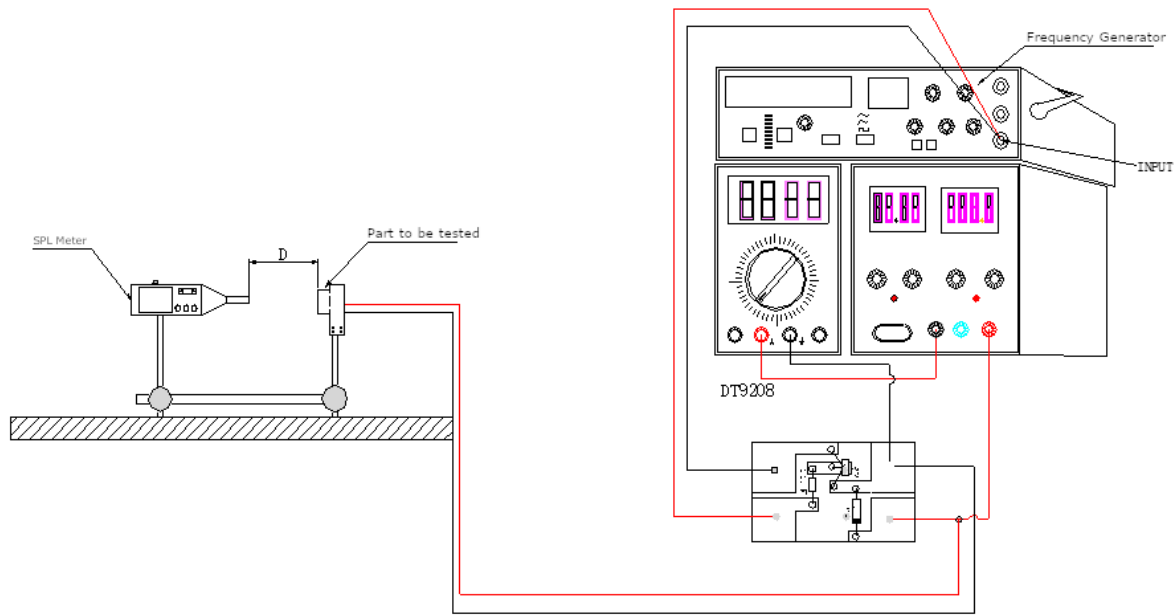
Key Features

- Top Firing Surface mount
- 100dB, 4kHz ½ duty square wave
- Electromagnetic
- Externally driven

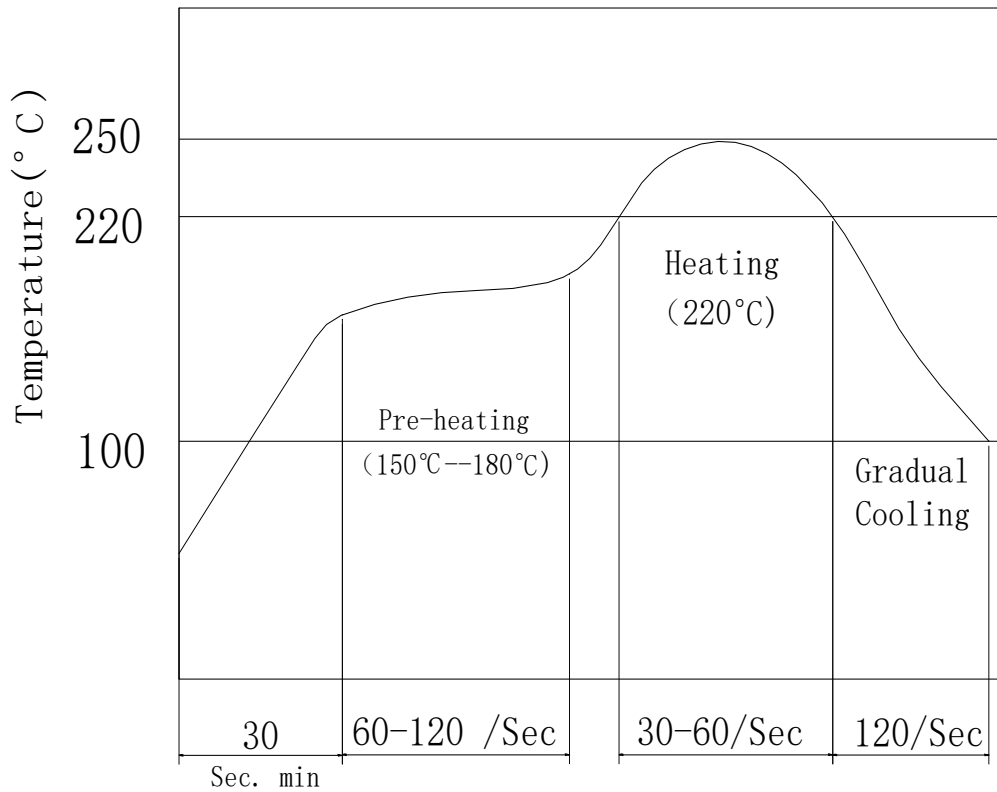
Specifications

Parameters	Values	Units
Rated Voltage	5	V _{0-p}
Operating Voltage Range	1 ~ 6	V _{0-p}
Max Current Draw at Rated Voltage	150	mA
Coil Resistance	15 ± 3	Ohms
Minimum SPL @ 10cm	100	dBA
Resonant Frequency	4,000	Hz
Housing Material	LCP (Black)	-
Terminal Material	Brass	-
Weight	0.6	Grams
Acceptable Soldering Methods	Reflow Solder	See page 3 for soldering information
Environmental Compliances	ROHS/REACH	-
Storage Temperature	-40 ~ 85	°C
Operating Temperature	-40 ~ 85	°C

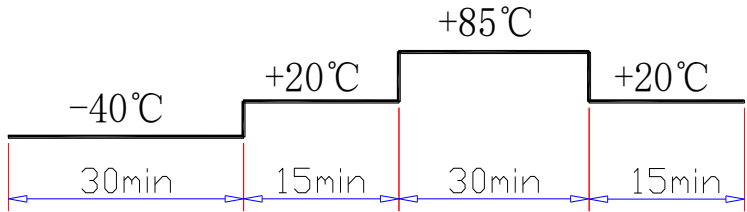
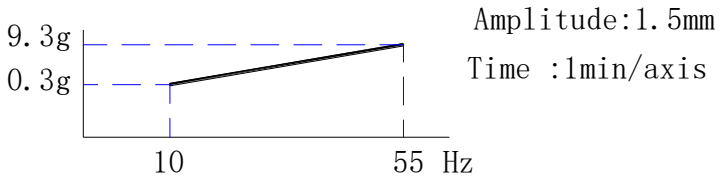
Measurement Method (5V, 4kHz)



Recommended Soldering Procedure

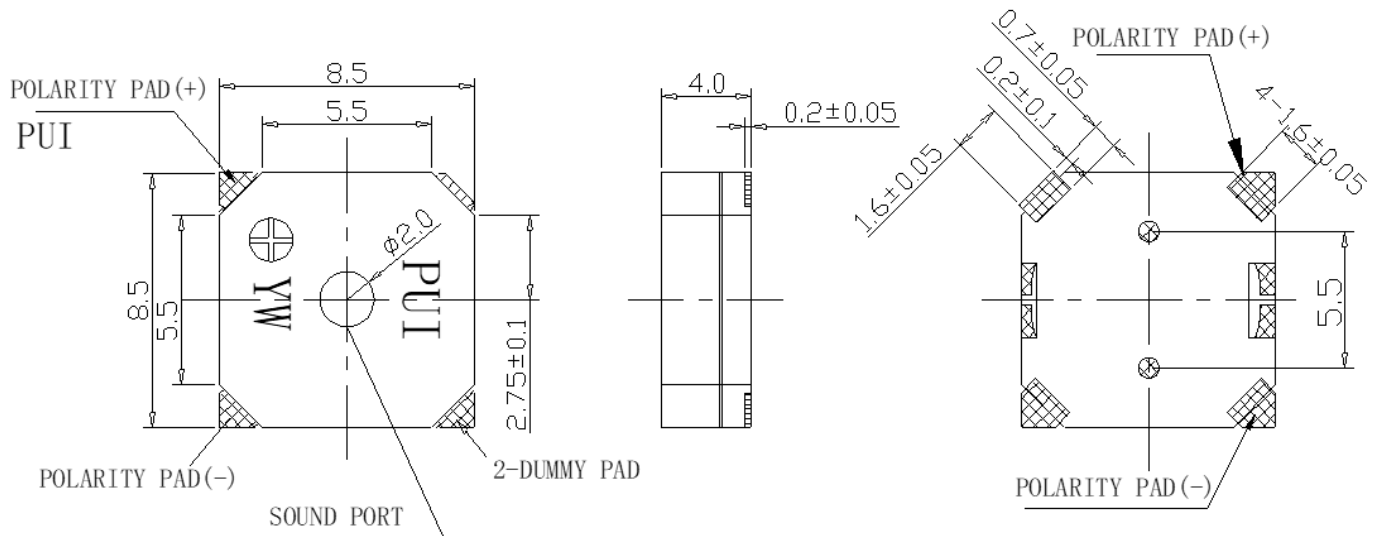


Reliability Testing

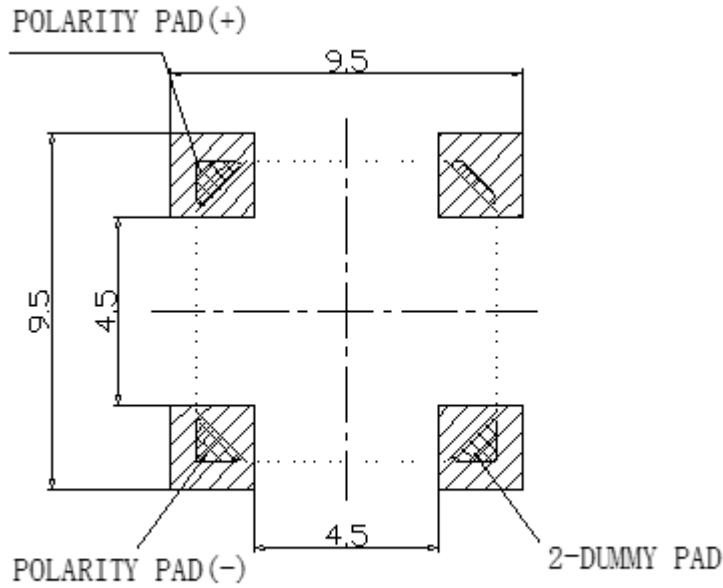
Type of Test	Test Specifications
High Temperature Test	96 hours at $85 \pm 2^\circ\text{C}$
Low Temperature Test	96 hours at $-40 \pm 2^\circ\text{C}$
Humidity Test	96 hours at $40 \pm 2^\circ\text{C}$ with relative humidity at 90~95%
Temperature Cycle Testing	Run for 5 cycles with each cycle consisting of: 
Vibration Test	 <p>Amplitude: 1.5mm Time : 1min/axis</p>
Drop Test	Free drop a unit from the height 100cm to the surface of 10mm thick board ,three directions(X,Y,Z).

After these tests, let rest for 2 hours and then the change of S.P.L shall be within ± 5 dB .

Dimensions



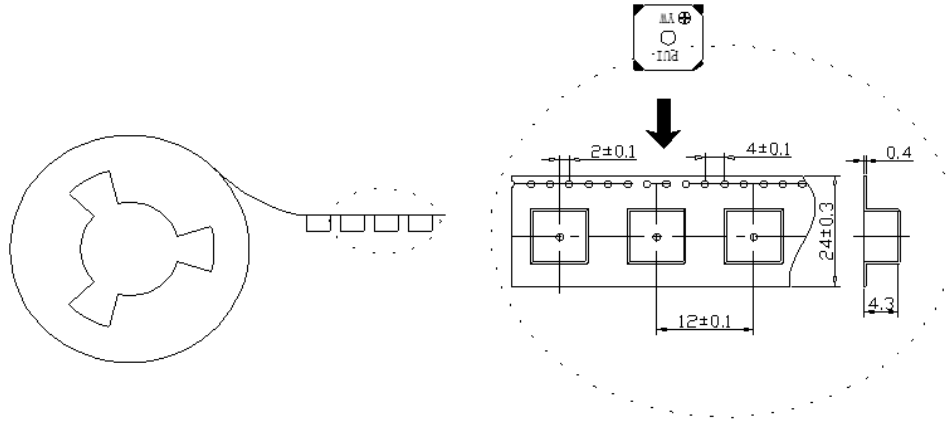
Suggested Land Pattern*



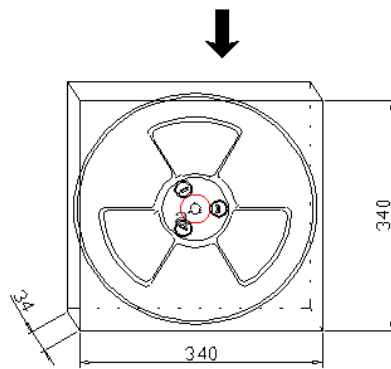
SMD REFLOW PATTERN

*This land pattern is advisory only and its use or adaptation is entirely voluntary. PUI Audio disclaims all liability of any kind associated with the use, application, or adaptation of this land pattern.

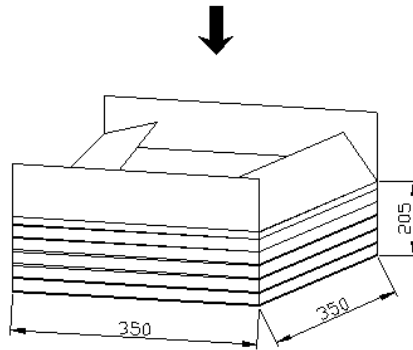
Packaging



1000PCS



1ROLL CARRIER REEL/INNER BOX



5000PCS/CTN

Specifications Revisions

Revision	Description	Date
A	Released from Engineering	3/16/2023

Note:

- Unless otherwise specified:
 - All dimensions are in millimeters.
 - Default tolerances are $\pm 0.5\text{mm}$ and angles are $\pm 3^\circ$.
- Specifications subject to change or withdrawal without notice.