

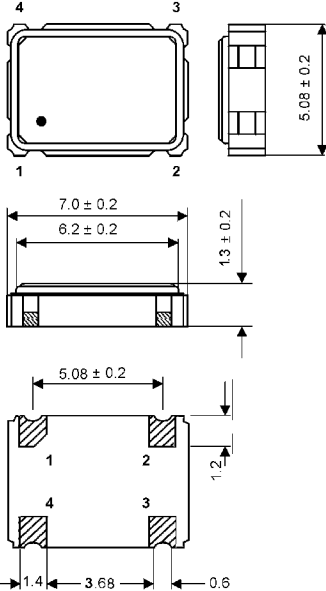


## Clock Oscillator SMD-version

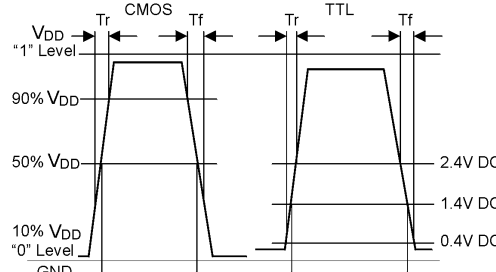
+3.3V

part no.	12.97622
model	KXO-V97T
frequency	33.333 MHz
frequency stability at -40° ~ +85°C	±25 ppm
operating temperature	-40° ~ +85°C
storage temperature	-55° ~ +125°C
supply voltage V <sub>DD</sub>	+3.3V DC ±10%
supply current	4.0 mA typ., 6.0 mA max
symmetry	50% ±10% at ½ V <sub>DD</sub> level
rise & fall time max.	5 ns
"0" level max.	+0.4V
"1" level min.	V <sub>DD</sub> -0.5V
output load	30 pF HCMOS
start up time max.	10 ms
tri-state function	yes
disable delay time max.	50 µs
enable delay time max.	4 ms
phase jitter	(12 kHz – 20 MHz) with 1 ps
random jitter max.	7ps
peak to peak jitter max.	40ps
contents of reel	1000 pcs.

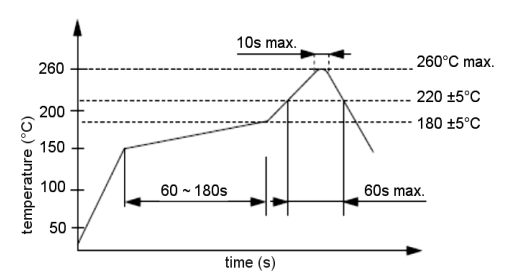
### Dimensions (mm):



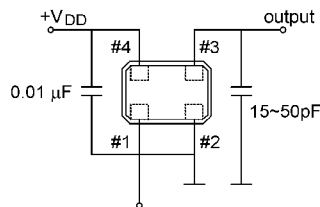
### Output waveform:



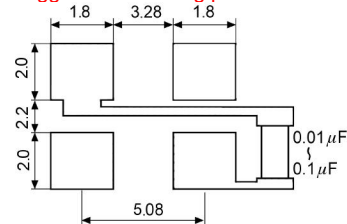
### Reflow soldering condition:



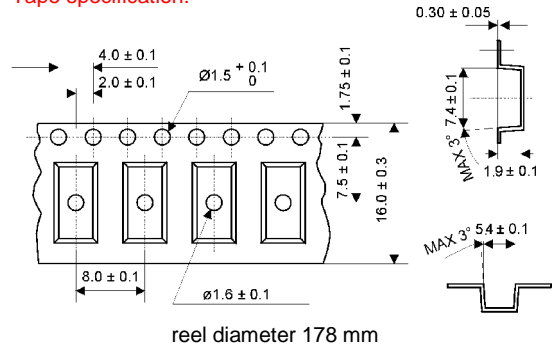
### Test circuit:



### Suggested soldering pad:



### Tape specification:



PIN	Connection
1	"L" (0V) "H" or OPEN
2	GND
3	Z OUTPUT
4	V <sub>DD</sub>

Z: high impedance