

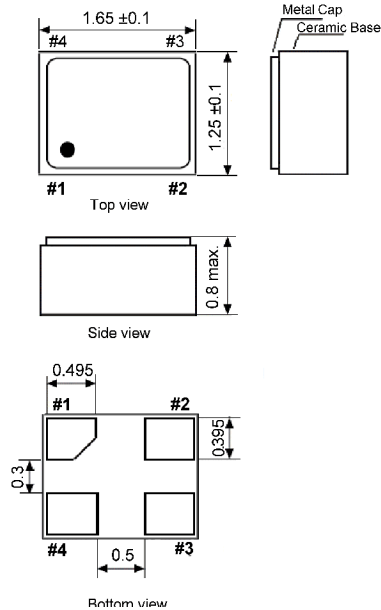


## Clock Oscillator SMD-version

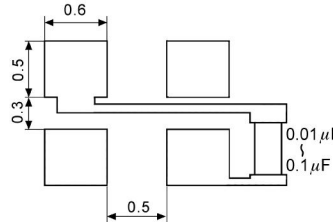
+1.8 V

part no.	12.73001
model	KXO-V93T
frequency	24.0 MHz
frequency stability at -40° ~ +85°C	±30 ppm
operating temperature	-40° ~ +85°C
storage temperature	-40° ~ +85°C
symmetry	45 % ~ 55 % at 50 % V <sub>DD</sub> level
rise & fall time max.	6 ns (10 % V <sub>DD</sub> ~ 90 % V <sub>DD</sub> level) / V <sub>DD</sub>
"0" level max.	V <sub>OL</sub> : 10 % V <sub>DD</sub>
"1" level min.	V <sub>OH</sub> : 90 % V <sub>DD</sub>
supply voltage range	+1.8 V ~ +3.6 V
input voltage V <sub>DD</sub>	+1.8 V DC ±5 %
tri-state control voltage (Pin#1)	V <sub>IH</sub> : V <sub>DD</sub> x 0.7 min. V <sub>IL</sub> : V <sub>DD</sub> x 0.3 max.
supply current	1.8 mA typ., 5 mA max.
output load max.	15 pF (HCMOS)
start up time max.	5 ms
disable delay time max.	200 ns
enable delay time max.	10 ms
stand by current max.	10 µA (Pin #1 = V <sub>IL</sub> )
contents of reel	1000 pcs.

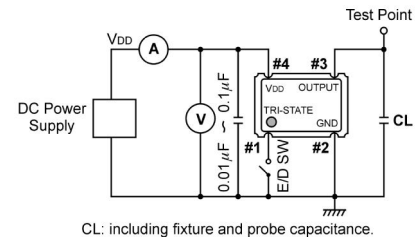
### Dimensions (mm):



### Suggested soldering pad:



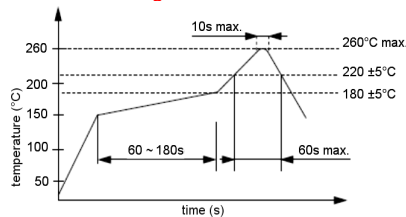
### Test circuit:



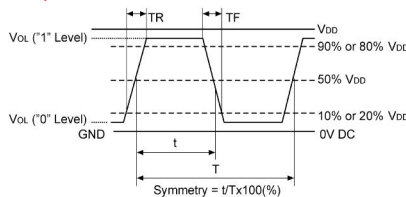
PIN	Connection
1	"L" (0V) "H" or OPEN
2	GND
3	Z OUTPUT
4	V <sub>DD</sub>

Z: high impedance

### Reflow soldering condition:



### Output Waveform:



### Tape specification:

